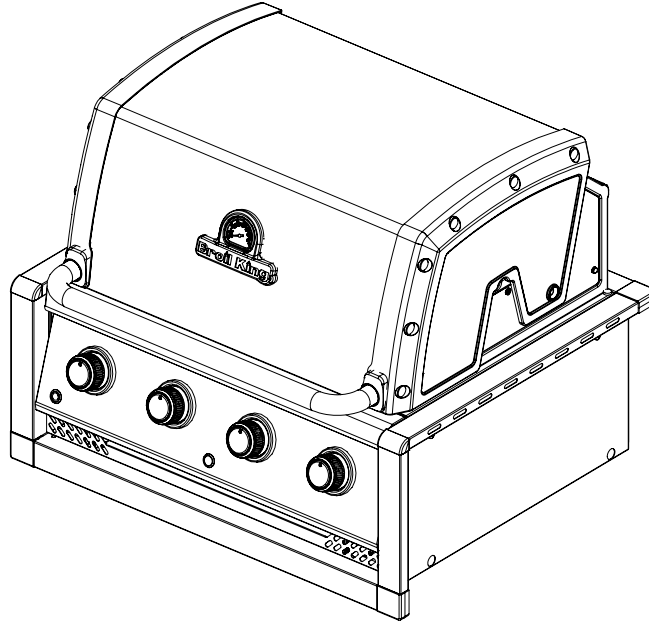


# Broil King®

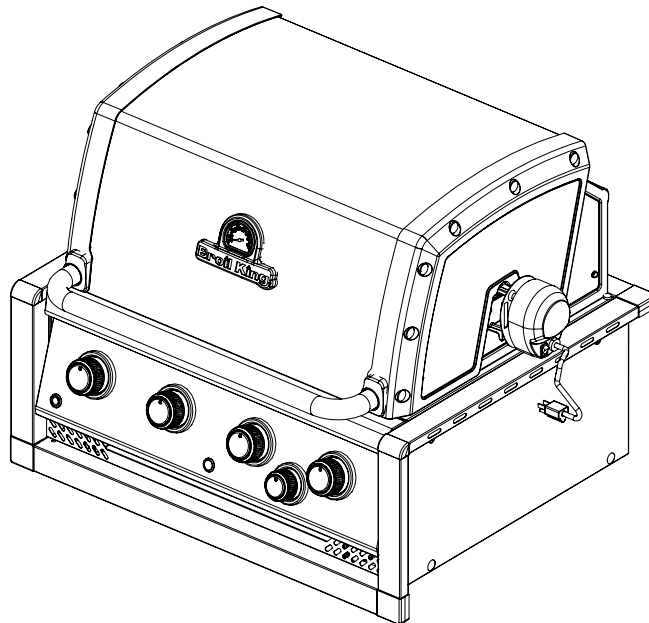
---

---

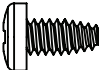
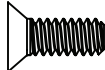
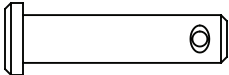
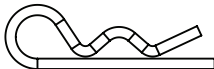
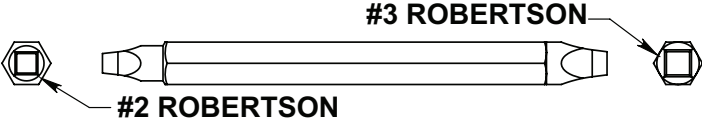
**Broil King**  
**REGAL 420**  
9856-52  
9856-53  
9856-53IL  
9856-56



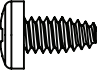
**Broil King**  
**REGAL 470**  
8856-72  
8856-73  
8856-73IL  
8856-76  
8857-73

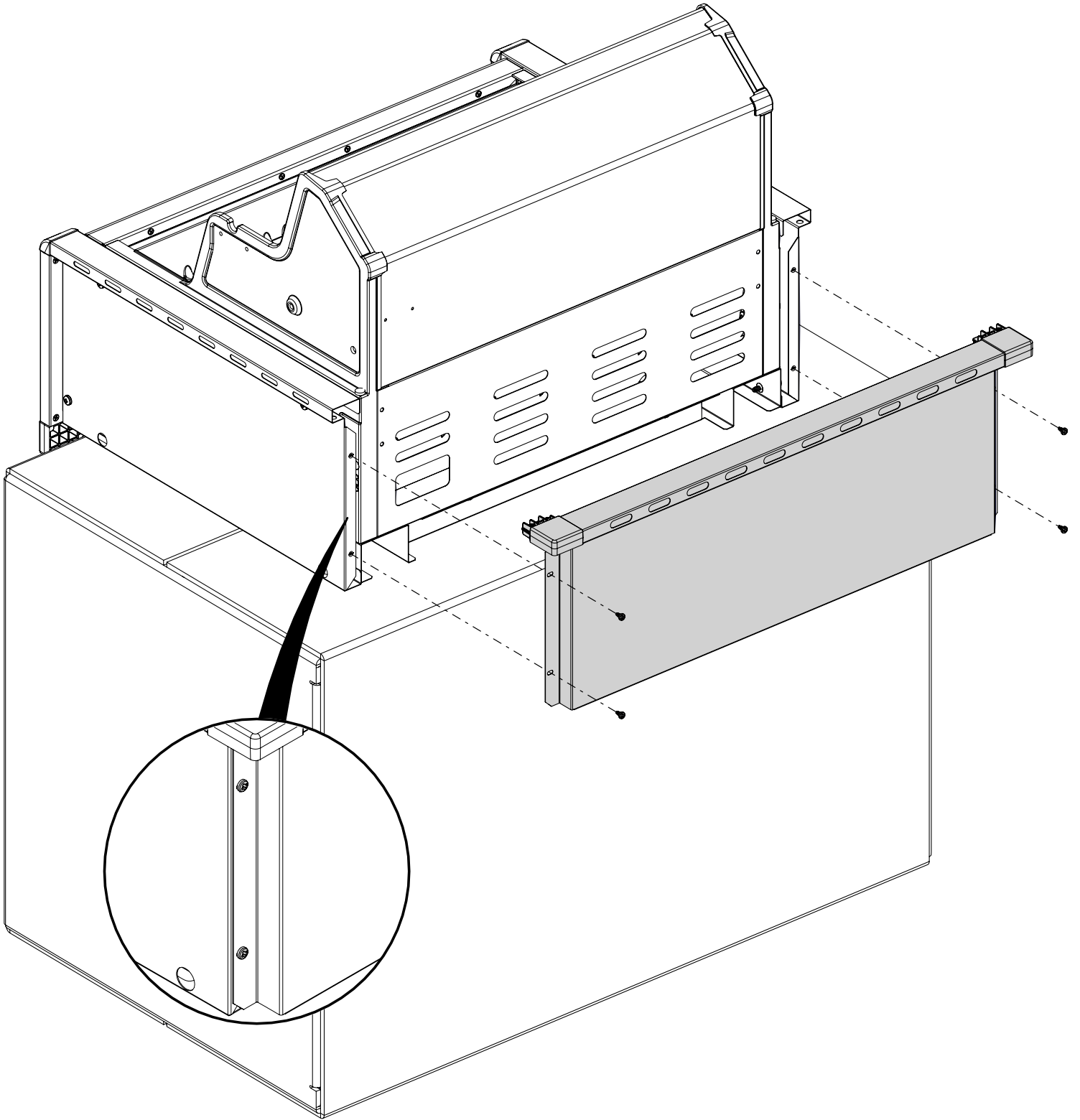


**HARDWARE INCLUDED / MATERIAL INCLUS / EQUIPOS INCLUIDO**

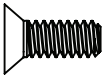
Y-29304  (4)	Y-29301  (2)
S21235  (2)	S21233  (2)
 <p>#3 ROBERTSON</p> <p>#2 ROBERTSON</p>	

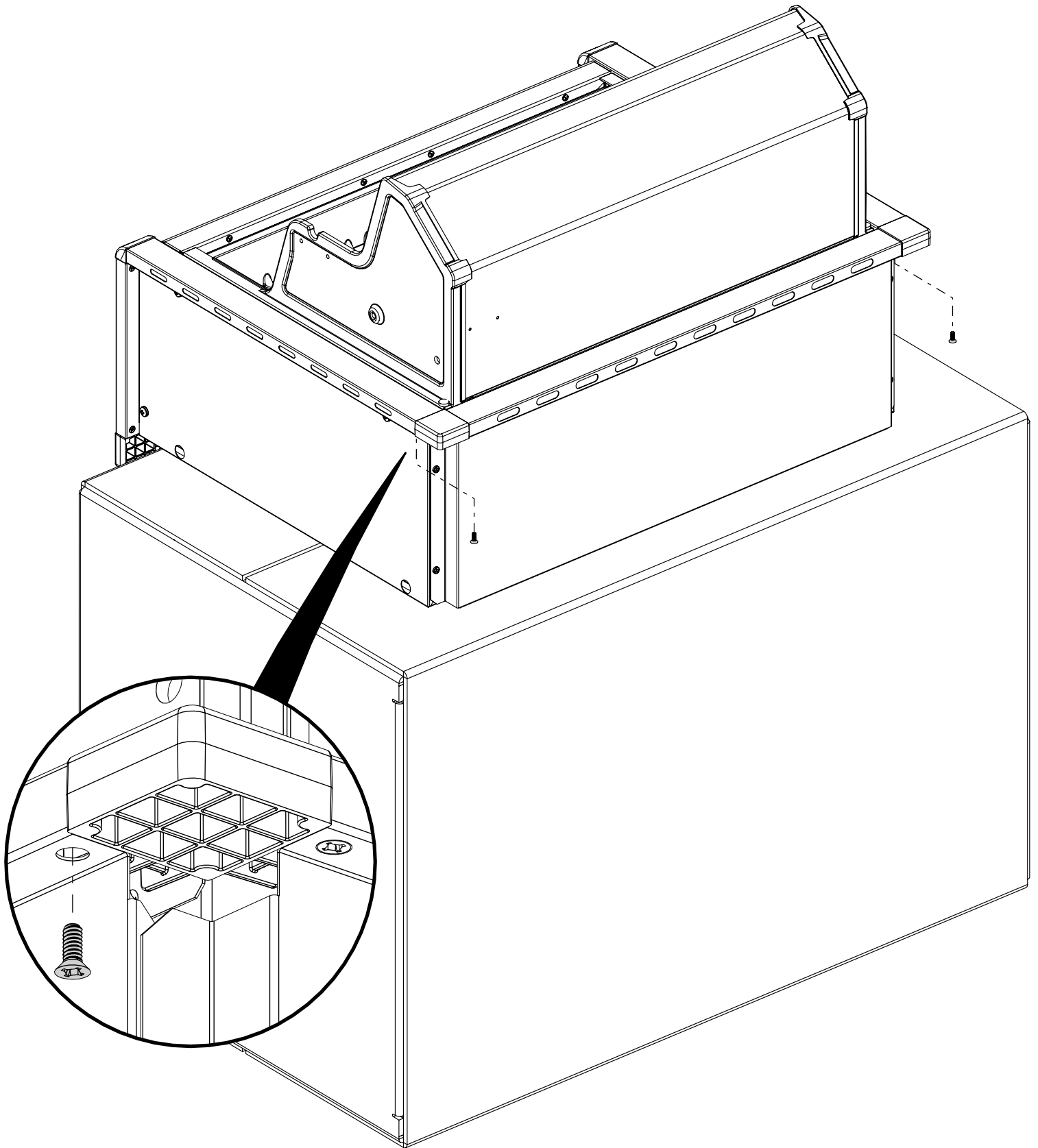
1

(4) 

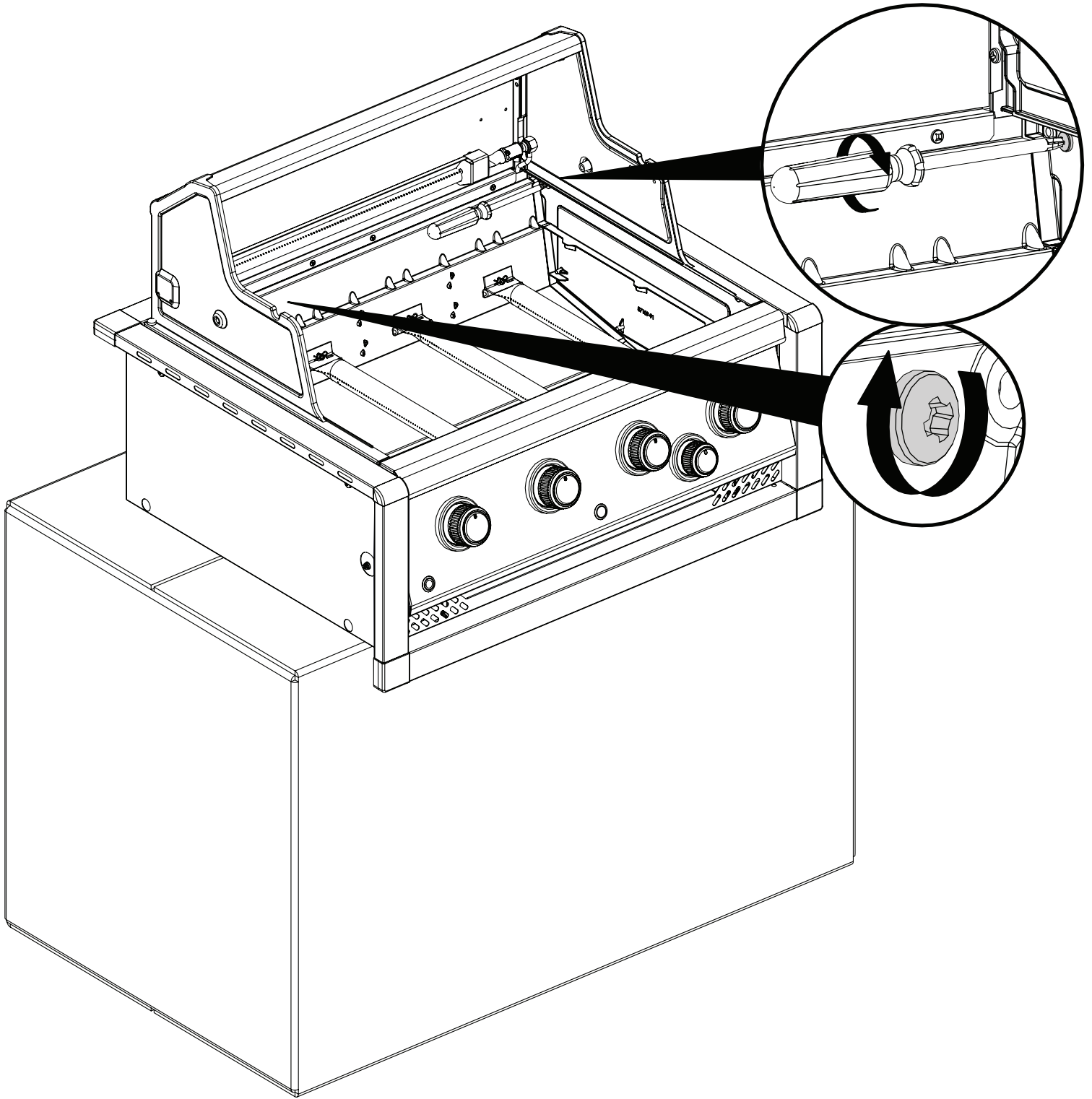


2

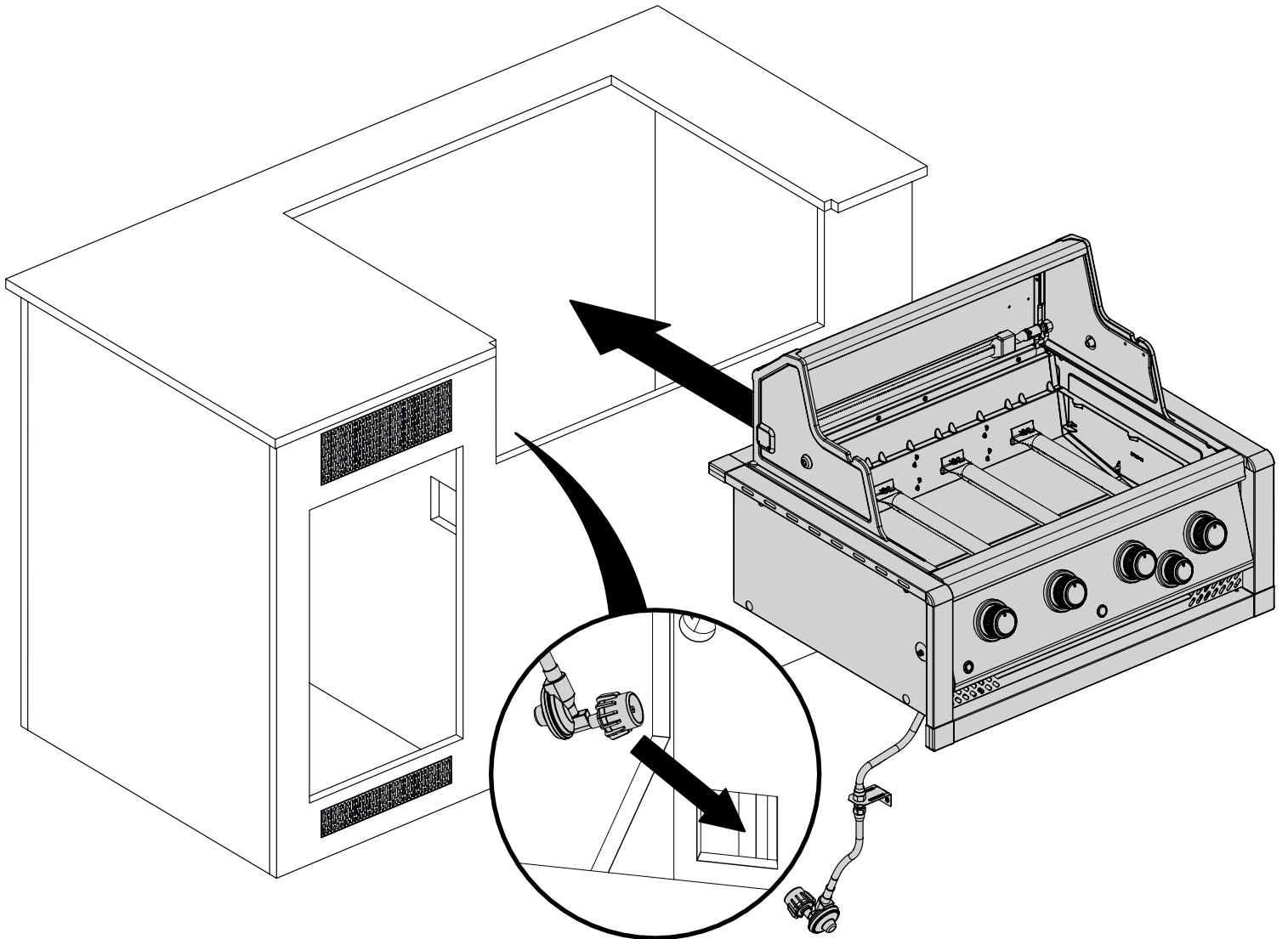
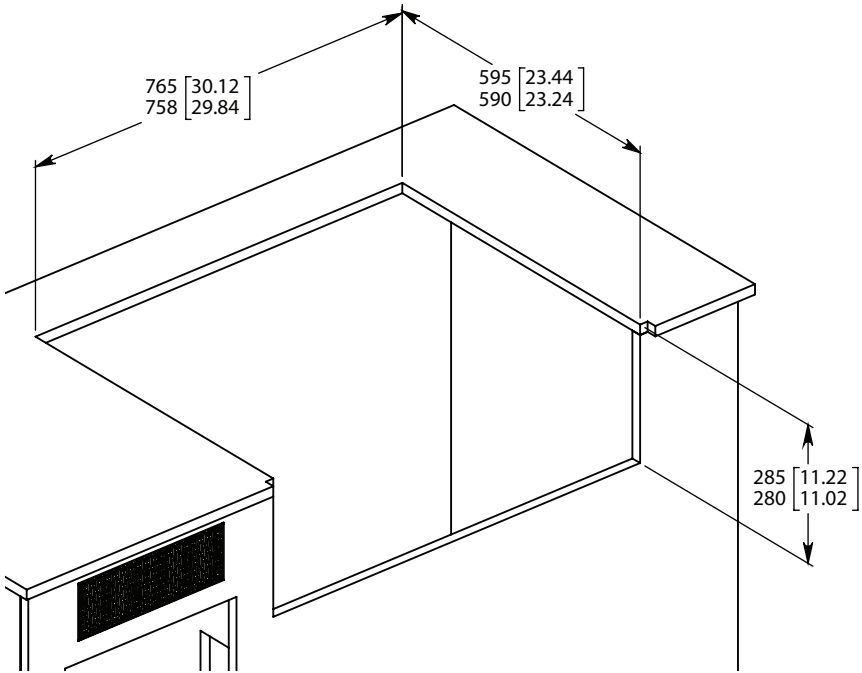
(2) 



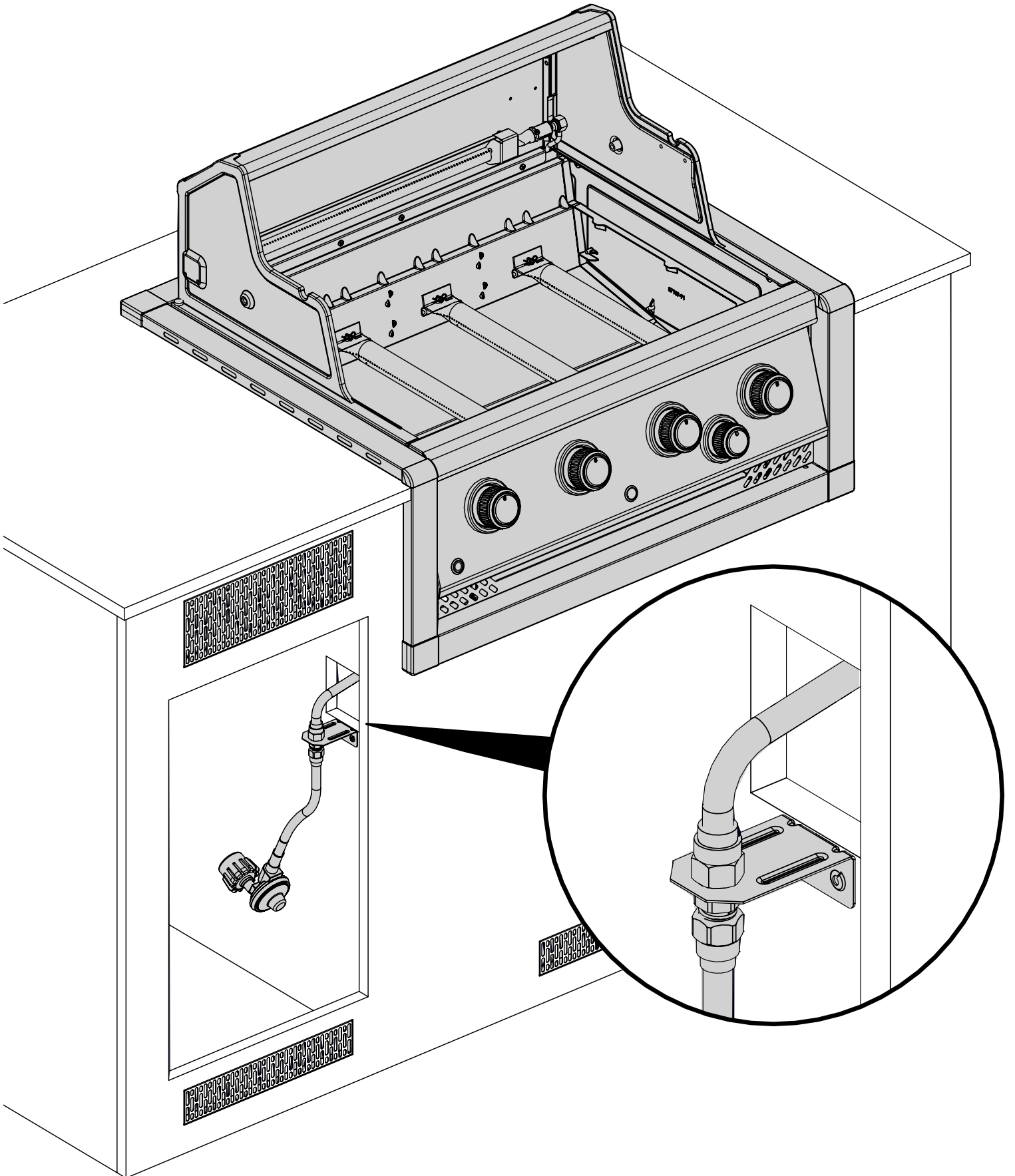
3



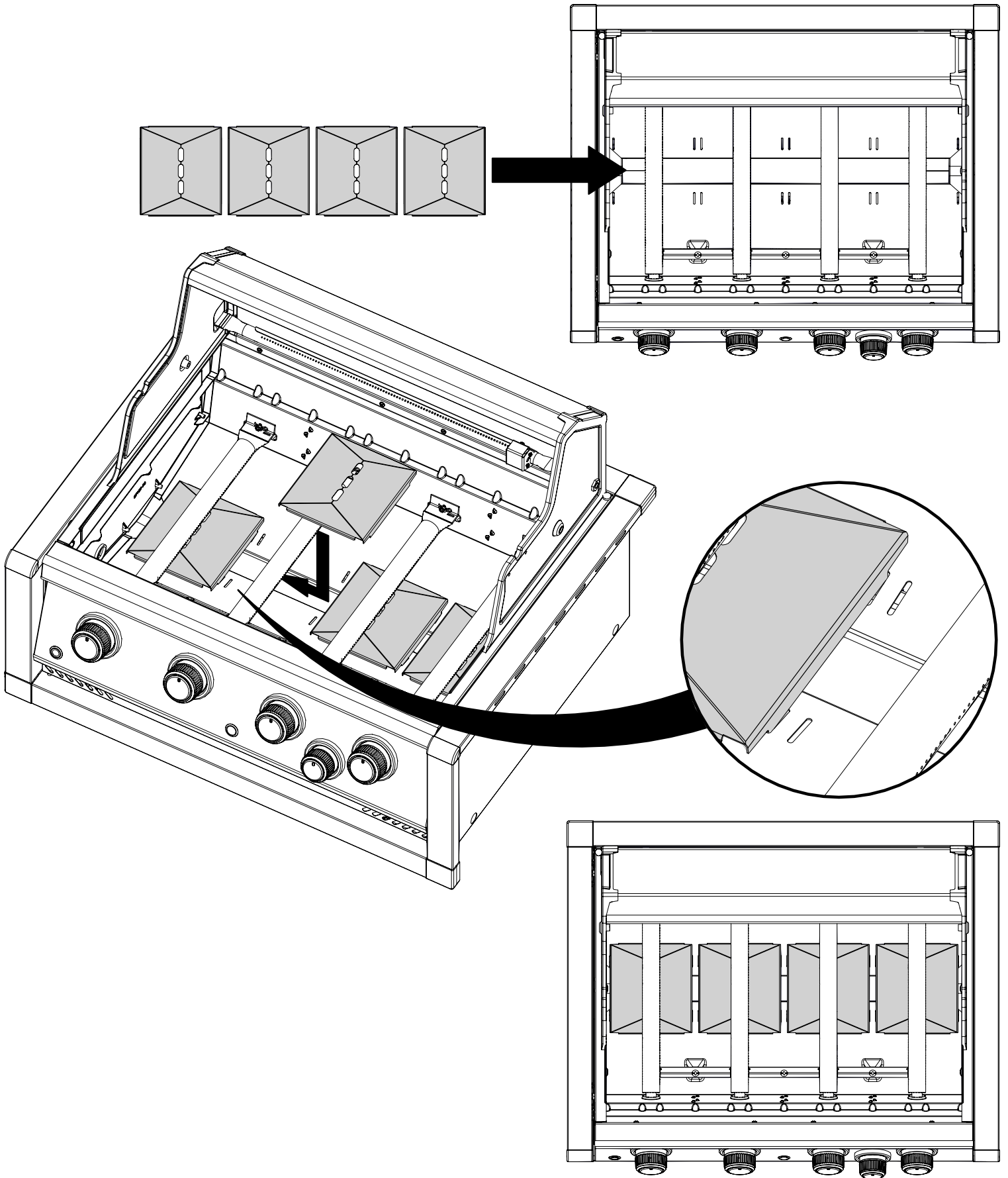
4



5

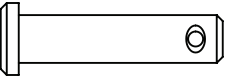
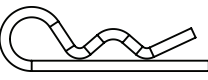


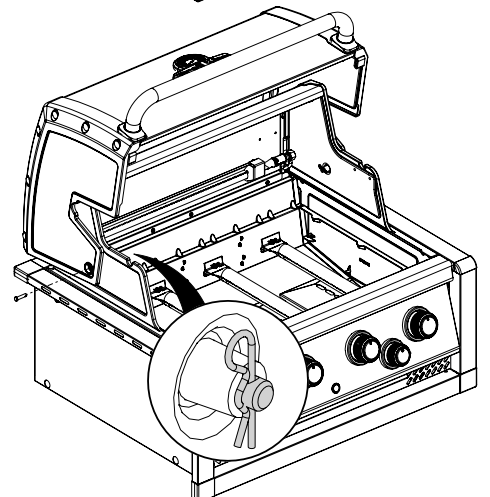
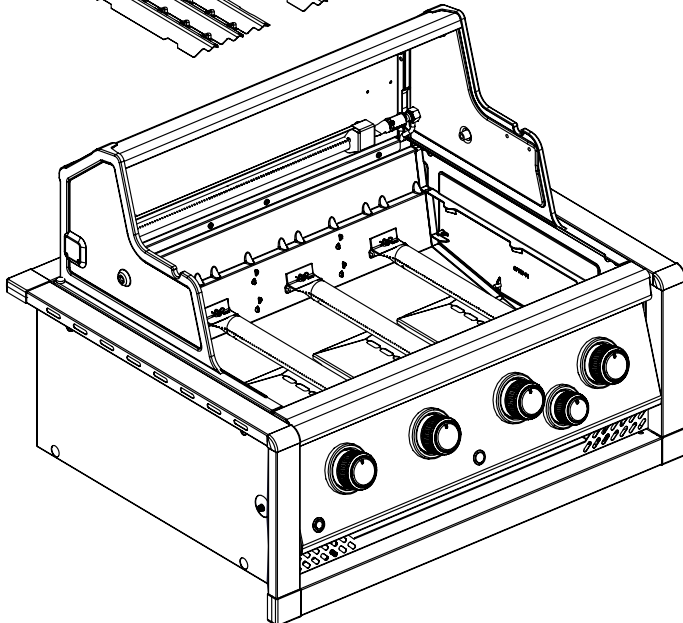
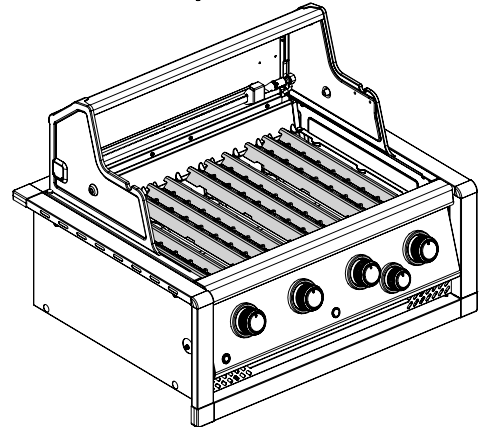
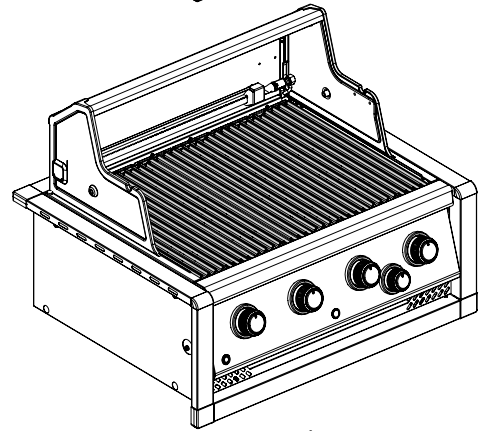
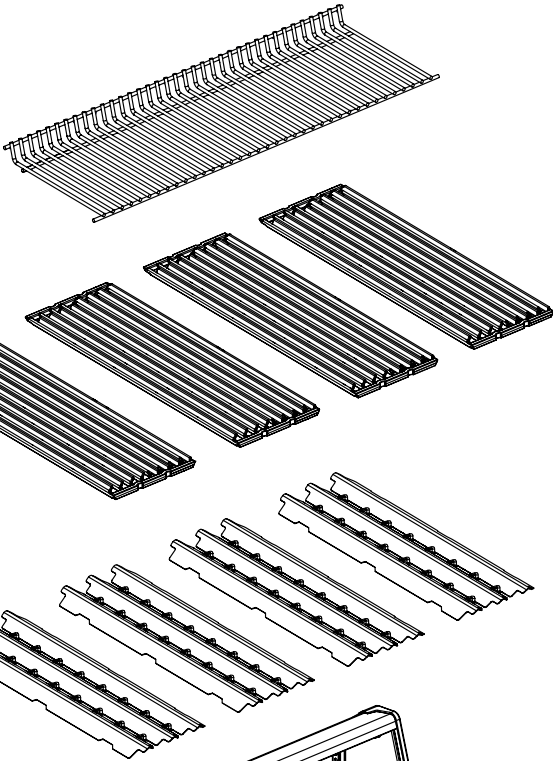
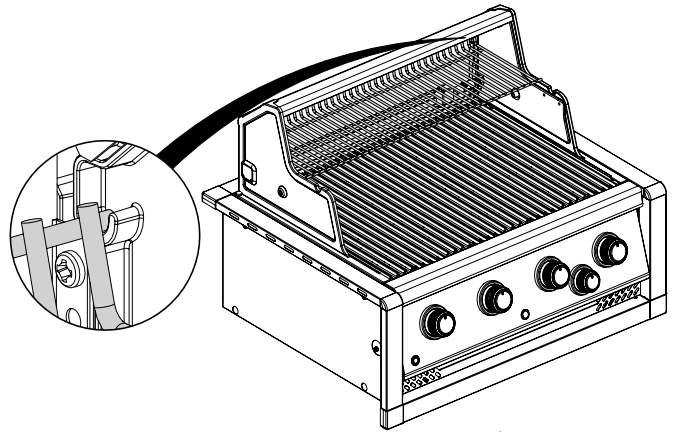
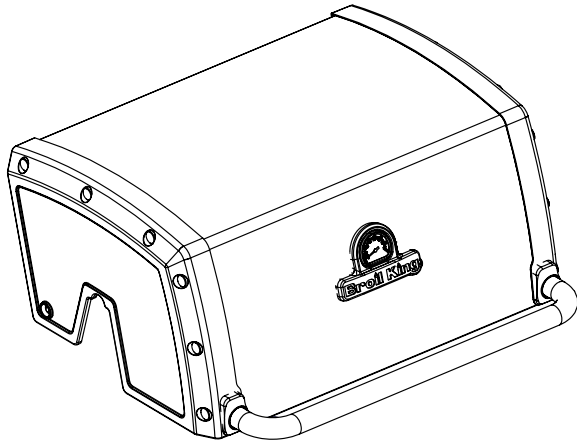
6

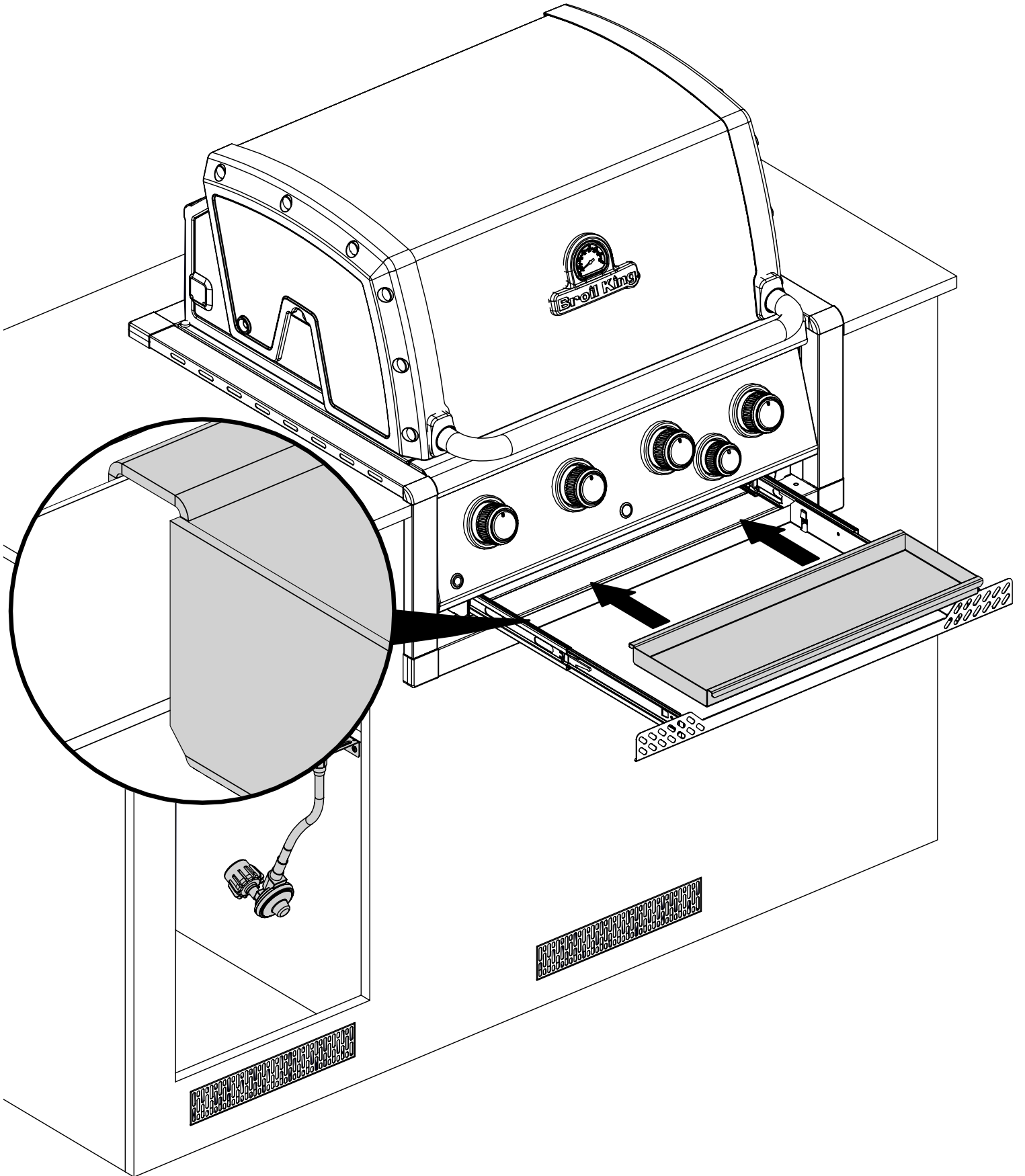




7

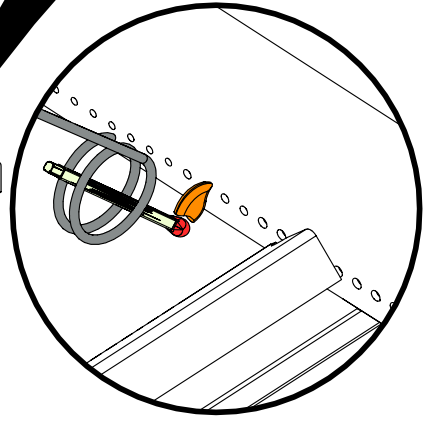
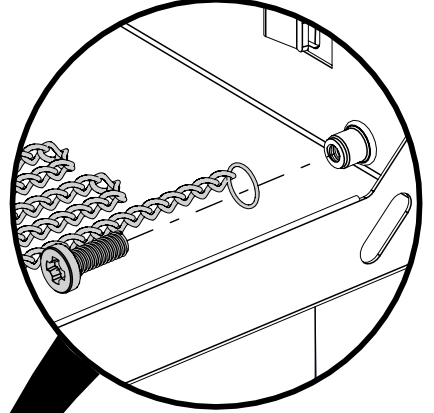
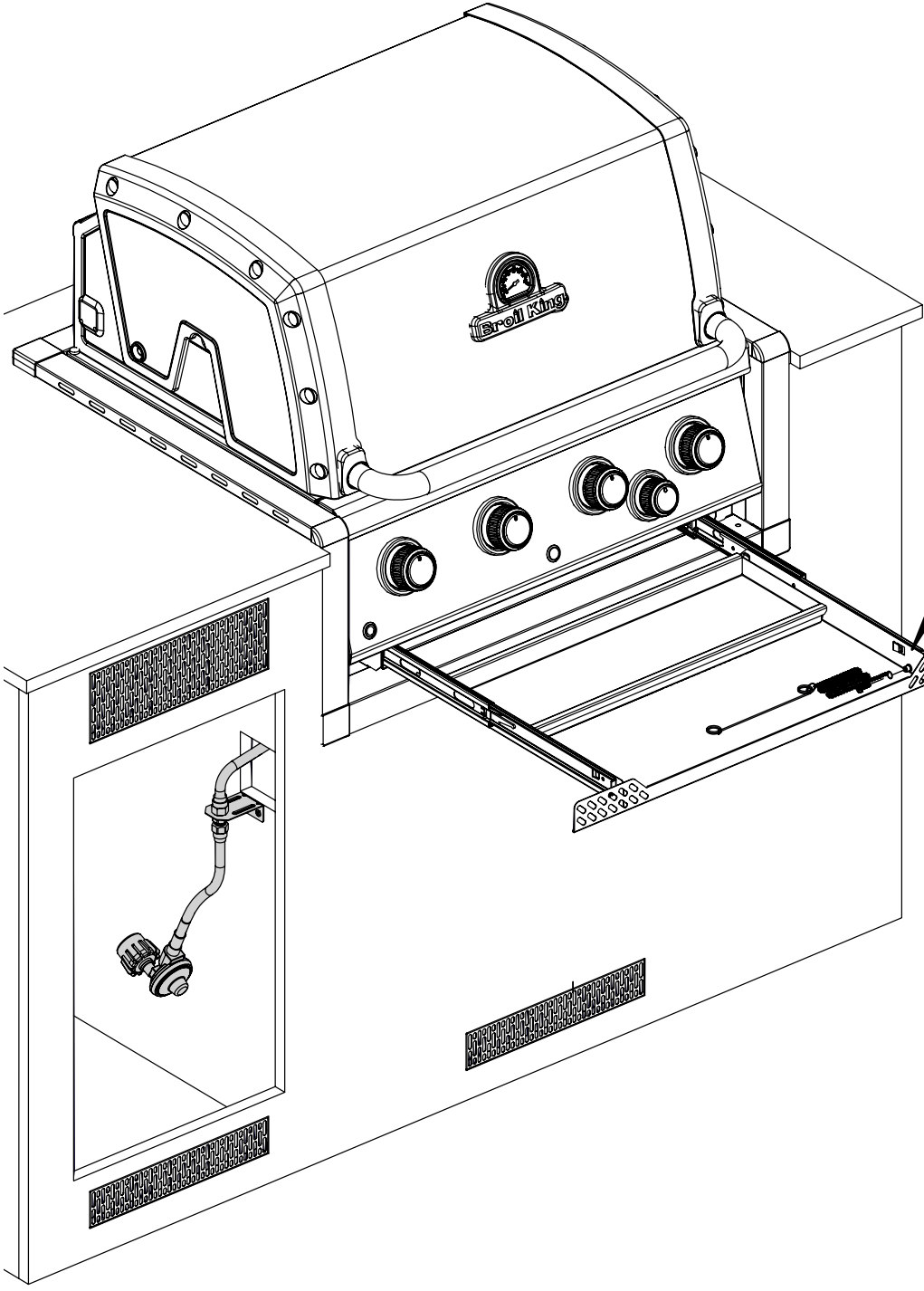
(2)  (2) 

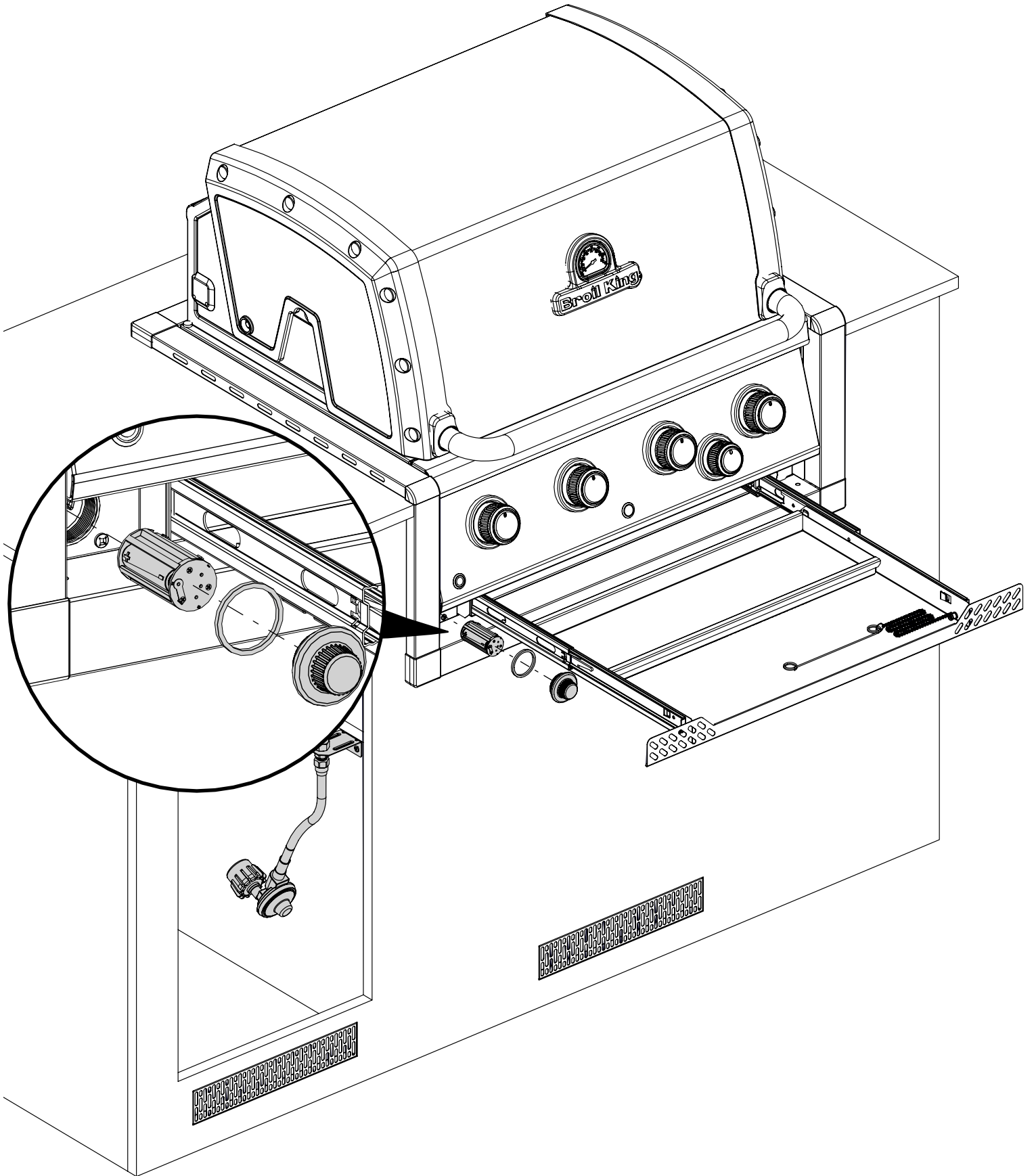


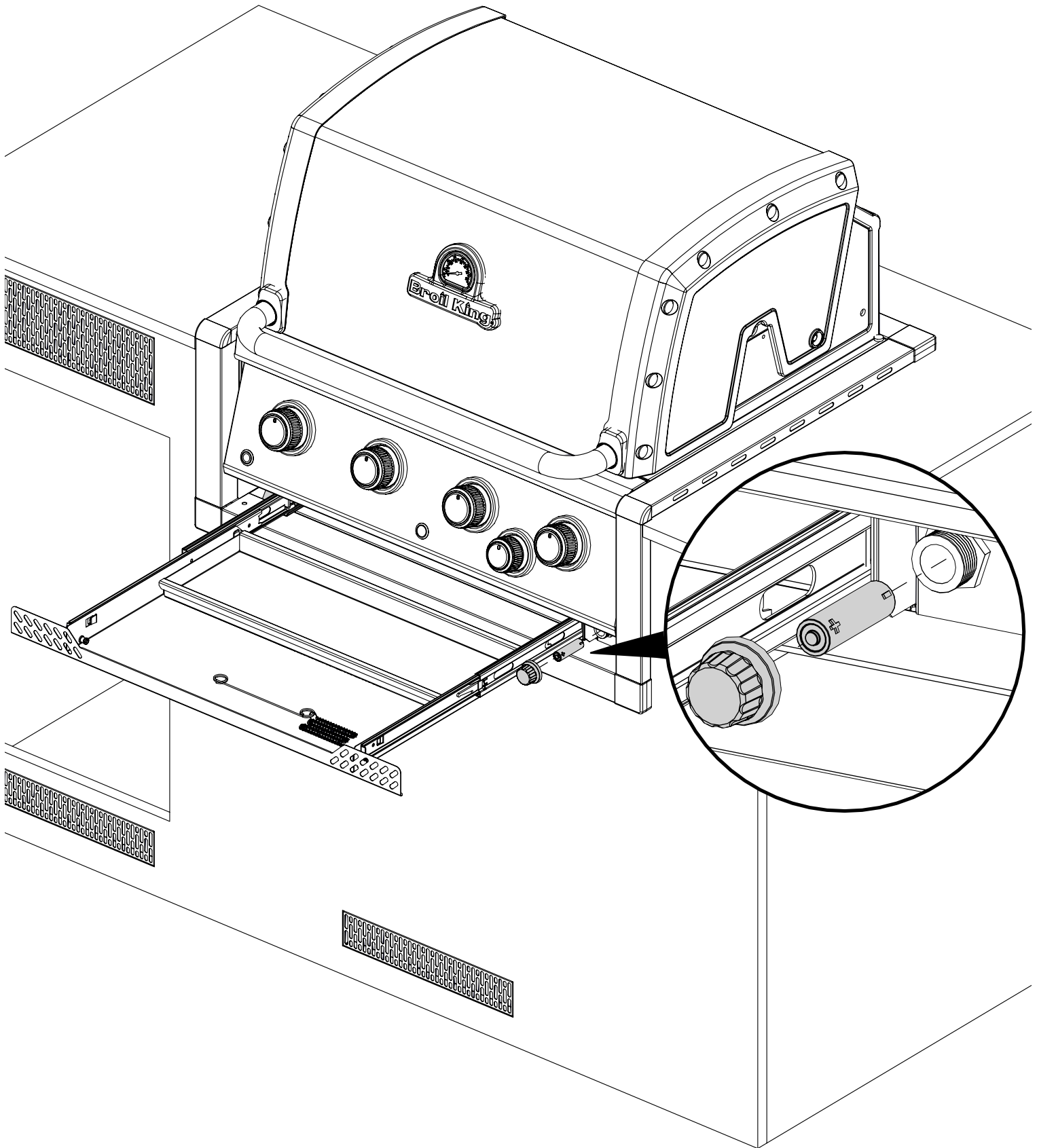


9

(1)  (1)



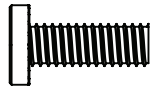




# 12



(2)



(2)

