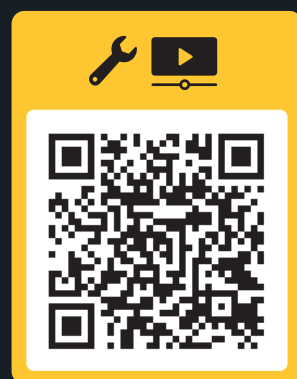




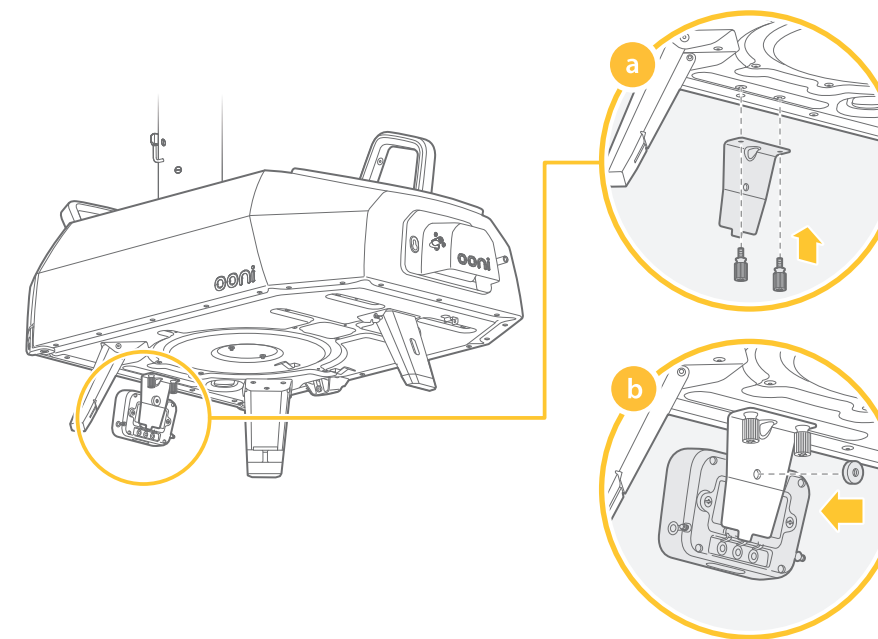
Ooni Connect™ Digital Temperature Hub



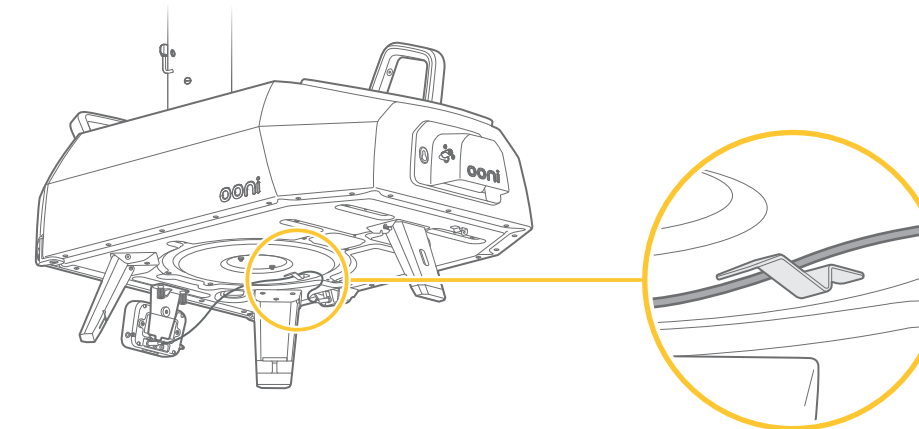
ooni.com/karu-2-pro



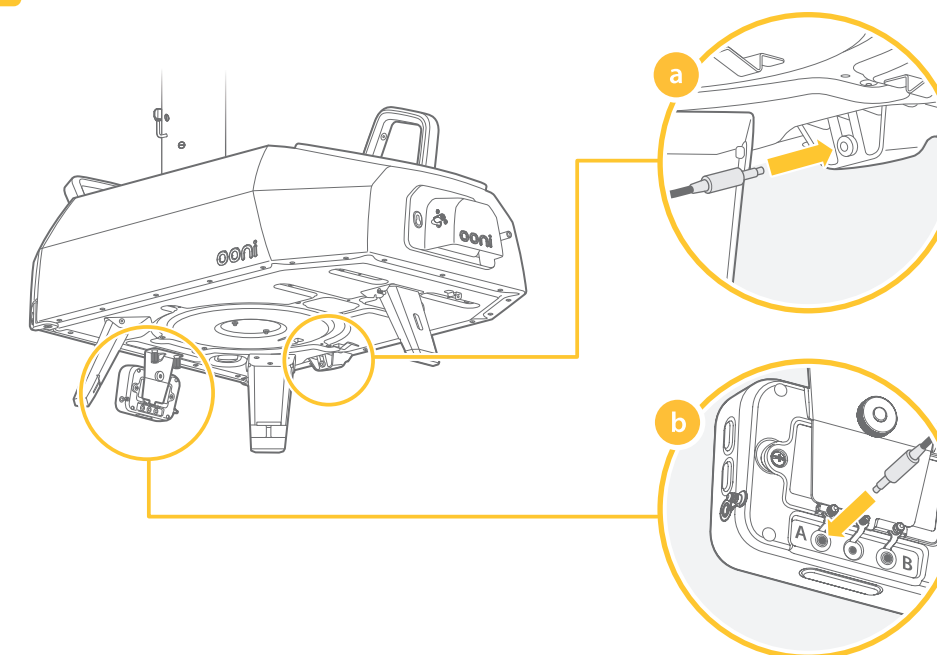
4.1



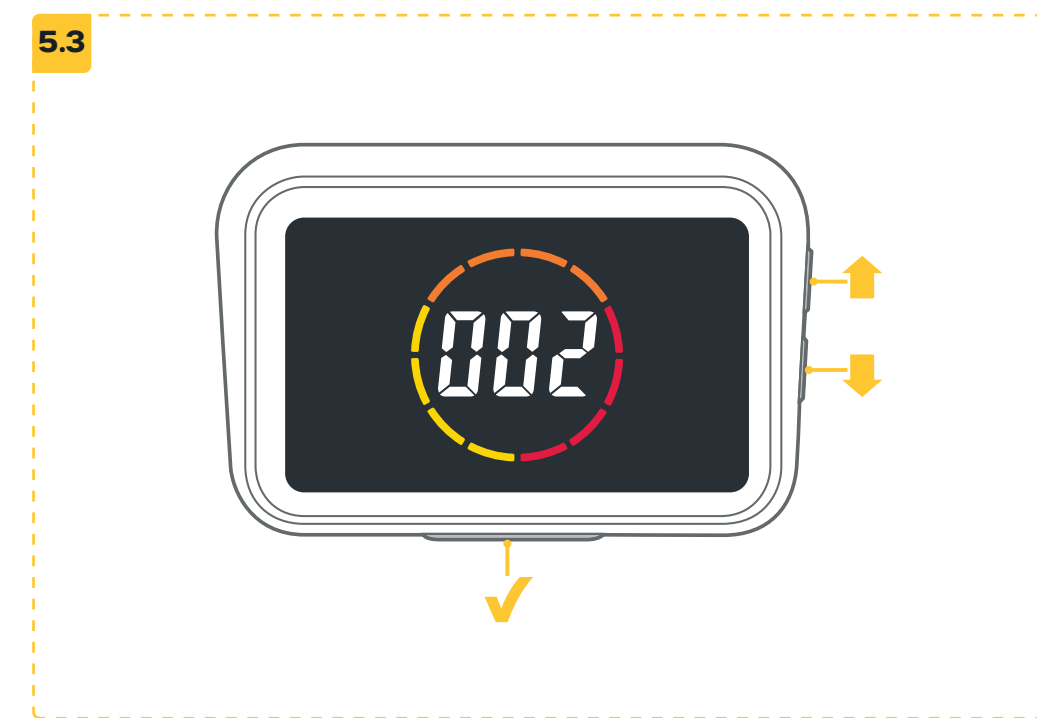
4.3

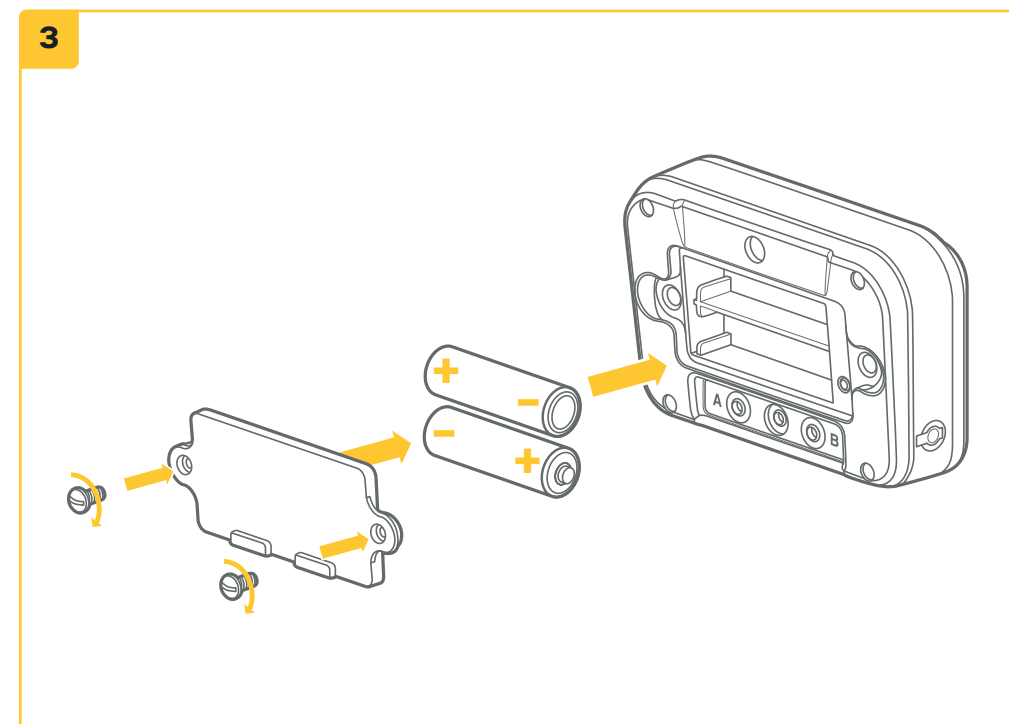
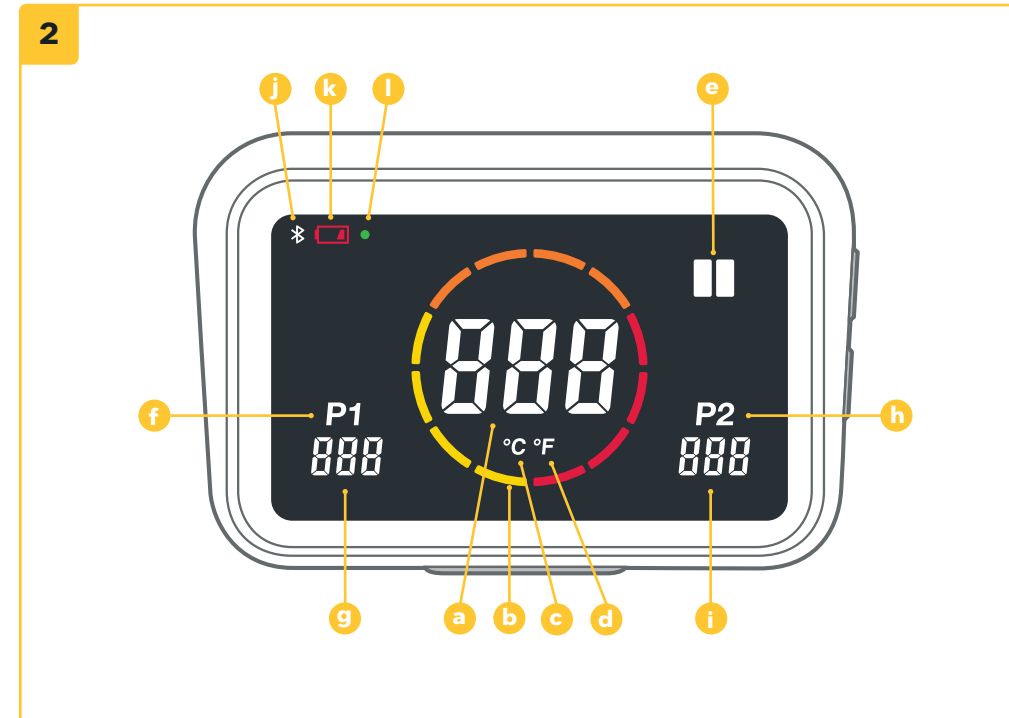
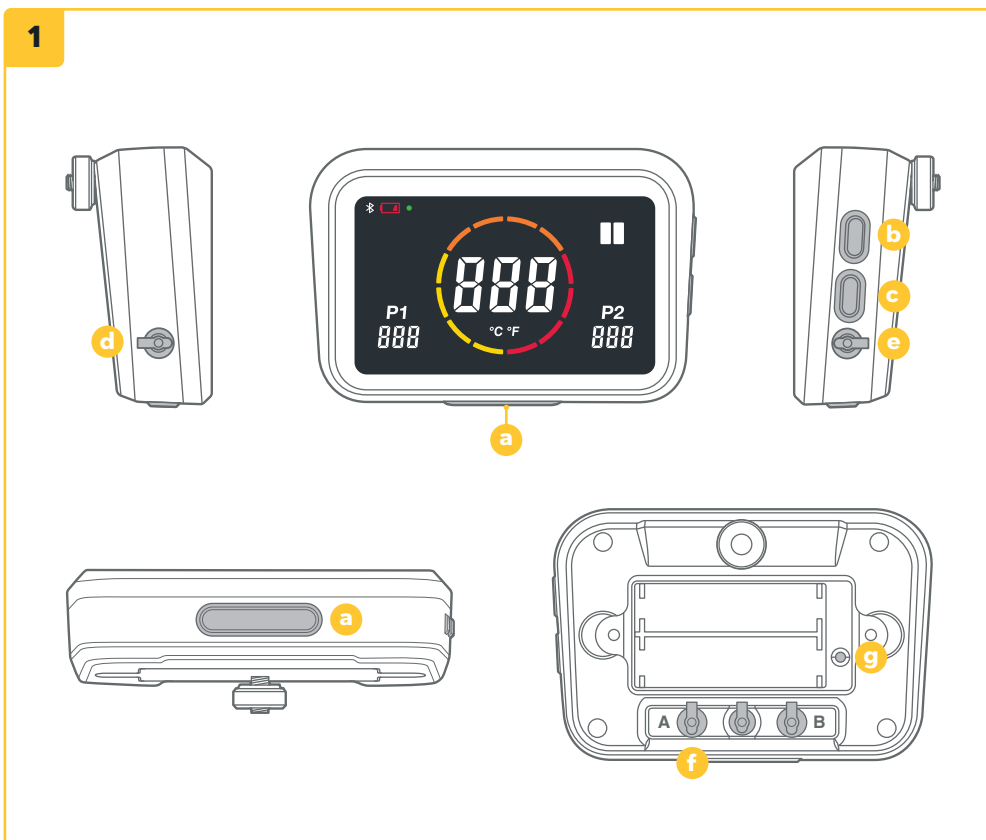
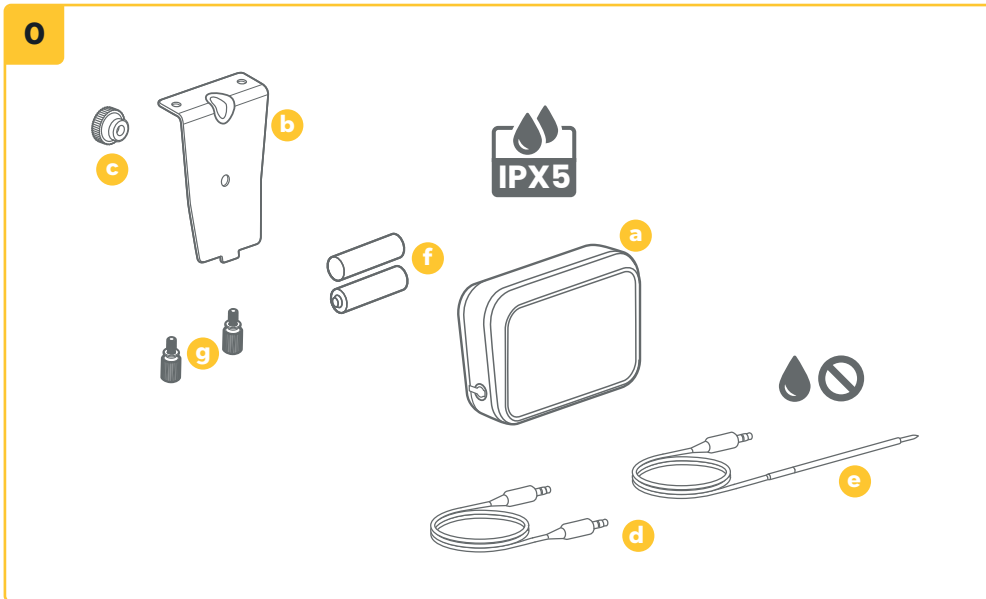


4.2



5.3





All references to "Ooni" in this manual include Ooni Limited and its relevant subsidiaries and holding companies as defined in section 1159 of the Companies Act 2006.

OONI DOES NOT ACCEPT ANY RESPONSIBILITY, LEGAL OR OTHERWISE, FOR THE INCIDENTAL OR CONSEQUENTIAL DAMAGE TO PROPERTY OR PERSONS RESULTING FROM THE USE OF YOUR OONI OVEN WHICH DOES/DID NOT COMPLY WITH ANY OF THE PROVISIONS OF THIS MANUAL.

OONI SHALL IN NO EVENT BE LIABLE FOR ANY SPECIAL, INDIRECT, CONSEQUENTIAL OR OTHER DAMAGES OF ANY NATURE WHATSOEVER IN EXCESS OF THE ORIGINAL PURCHASE PRICE OF YOUR OONI OVEN.

Some states or countries do not allow the exclusion or limitation of incidental or consequential damages, therefore, such limitations or exclusions may not apply to you.

Product Name: Ooni Connect™ Digital Temperature Hub.

Model: UU-C00182

Caution: The user is cautioned that changes or modifications not expressly approved by the party responsible for compliance could void the user's authority to operate the equipment. This device contains licence-exempt transmitter(s)/receiver(s) that comply with Innovation, Science and Economic Development Canada's licence-exempt RSS(s) and Part 15 of the FCC Rules. Operation is subject to the following two conditions:

- (1) This device may not cause interference.
- (2) This device must accept any interference, including interference that may cause undesired operation of the device.

L'émetteur/récepteur exempt de licence contenu dans le présent appareil est conforme aux CNR d'Innovation, Sciences et Développement économique Canada applicables aux appareils radio exempts de licence. L'exploitation est autorisée aux deux conditions suivantes :

- (1) L'appareil ne doit pas produire de brouillage;
- (2) L'appareil doit accepter tout brouillage radioélectrique subi, même si le brouillage est susceptible d'en compromettre le fonctionnement.

NOTE: This equipment has been tested and found to comply with the limits for a Class B digital device, pursuant to Part 15 of the FCC Rules. These limits are designed to provide reasonable protection against harmful interference in a residential installation. This equipment generates, uses and can radiate radio frequency energy and, if not installed and used in accordance with the instructions, may cause harmful interference to radio communications. However, there is no guarantee that interference will not occur in a particular installation.

If this equipment does cause harmful interference to radio or television reception, which can be determined by turning the equipment off and on, the user is encouraged to try to correct the interference by one or more of the following measures:

- Reorient or relocate the receiving antenna.
- Increase the separation between the equipment and receiver.
- Connect the equipment into an outlet on a circuit different from that to which the receiver is connected.
- Consult the dealer or an experienced radio/TV technician for help.

FCC & IC Radiation Exposure Statement:

This equipment complies with FCC and Canada radiation exposure limits set forth for an uncontrolled environment. This equipment should be installed and operated with a minimum distance of 20cm between the radiator and your body.

This transmitter must not be co-located or operating in conjunction with any other antenna or transmitter.

Déclaration d'IC sur l'exposition aux radiations:

Cet équipement est conforme aux limites d'exposition aux radiations définies par le Canada pour des environnements non contrôlés. Cet équipement doit être installé et utilisé à une distance minimum de 20 cm entre l'antenne et votre corps.

Cet émetteur ne doit pas être installé au même endroit ni utilisé avec une autre antenne ou un autre émetteur.

Contents

English.....	1
العربية	8
Dansk.....	16
Deutsch	24
Español.....	32
Français	40
Français Canadien.....	48
עברית	56
Italiano	64
日本語	72
Nederlands	80
Norsk	88
Português	96
Русский	104
Suomi	112
Svenska	120
中文	128



⚠ WARNING

Read the instructions before using the Ooni Connect™ Digital Temperature Hub and retain them for future reference.

Food probes and other accessible parts may be hot and sharp. Keep young children away.

Only use the Ooni Connect™ Digital Temperature Hub as instructed by this manual.

To avoid damage, only mount the Ooni Connect™ Digital Temperature Hub and route the cable(s) to the location(s) instructed in this manual.

The food probes are suitable for use at temperatures of up to 480 °F (250 °C). Do not use at temperatures exceeding this or on open flames.

Do not modify the Ooni Connect™ Digital Temperature Hub.

⚠ CAUTION

Hand wash and dry the food probes before first use.

The food probes are not dishwasher safe.

Do not use chemicals or abrasive detergents to clean the food probes.

Risk of explosion if the battery is replaced by an incorrect type.

The Ooni Connect™ Digital Temperature Hub works with Ooni food probes; other accessories may be inaccurate, not work, or potentially cause damage.

Ooni Connect™ Digital Temperature Hub

Use the Ooni Connect™ Digital Temperature Hub for accurate and immediate temperature measurements in Celsius (°C) or Fahrenheit (°F). Connect the food probe(s) to get the perfect slow roast or seared steak, and connect to the Ooni app to monitor all of this without having to touch your oven.

0. What's in the box

- a. Ooni Connect™ Digital Temperature Hub
- b. Mounting bracket
- c. Thumb nut (comes attached to Hub)
- d. Ambient temperature cable
- e. Food probe
- f. AA Batteries
- g. Mounting Bracket screws

1. Buttons and inputs:

- a. Power button (long press)
°C / °F selector (short press)
- b. Temperature cycle (short press)
Bluetooth activation (long press)
- c. Back-light button
Eco-mode (long press)
Back-light (short press)
- d. Food probe input 1
- e. Food probe input 2 (optional)
- f. Ambient temperature input A
- g. Factory reset button

2. Screen

- a. Main temperature display
- b. Temperature ring
- c. °C indicator
- d. °F indicator
- e. Ambient temperature Indicator
- f. Food probe 1 Indicator
- g. Food probe 1 display
- h. Food probe 2 indicator (optional)
- i. Food probe 2 display (optional)
- j. Bluetooth status indicator
- k. Low battery indicator
- l. Eco mode indicator

3. Install batteries

Remove screws using a screwdriver and remove hatch. Insert 2x AA batteries. Replace hatch and secure screws.

i If you are storing the oven for more than a month, remove the batteries.

4. Set up and assembly

4.1 | Attaching Ooni Connect™ Digital Temperature Hub

- a. Using 2x bracket screws, attach the mounting bracket to the underside of the oven.
- b. Attach the Ooni Connect™ Digital Temperature Hub to the bracket using the thumb nut (comes attached to the Hub).

4.2 | Attaching the ambient temperature cable


- a. Plug ambient temperature cable into the input on the underside of the oven.
- b. Plug the opposite end into the corresponding input on the back of the Ooni Connect™ Digital Temperature Hub.

4.3 | Securing the ambient air temperature cable

Clip the cable to the underside of the oven.

5. Using the Ooni Connect™ Digital Temperature Hub

5.1 | Download the Ooni app



Scan to download the Ooni app

Setting up your Ooni Connect™ Digital Temperature Hub is simple, and the Ooni app will walk you through each step. If you already have the Ooni app, be sure to update to the latest version.

5.2 | Powering On/Off device

- Turn on the device with a short press of the power button.
- Turn off the device with a long press on the power button.

i Turn off your device when not in use to save battery.
The device will automatically switch off after 45 minutes.

5.3 | Setting the Oven ID

After the first power on, you will need to set the Oven ID for your Ooni Connect™ Digital Temperature Hub. Use the Temperature Cycle Button and the Back-Light button to cycle between the Oven ID numbers until you reach the correct one.

The Oven ID for Ooni Karu 2 Pro is 002.

Confirm this Oven ID by pressing the Power Button.

5.4 | Changing the Oven ID

Press and hold the Temperature Cycle Button and Back-light button together for 3 seconds to re-select the Oven ID. Simply update the Oven ID and confirm the selection.

5.5 | Activating Bluetooth pairing

Ensure Bluetooth is enabled on your device. Open the Ooni app and navigate to the Ooni Connect tab.

Press the temperature cycle button on your Ooni Connect™ Digital Temperature Hub for 3 seconds until the Bluetooth status indicator starts flashing. Follow the instructions in the Ooni app to connect your device.

A successful connection will cause the Bluetooth status indicator to stop flashing and remain illuminated.

If the Bluetooth status indicator starts flashing quickly, it means there is a problem with the connection. Try restarting the pairing process if the problem persists.

i If a connection is not made, the Bluetooth will turn off after a short period of time.

5.6 | Reading the food probe

Check that the food probe is plugged into the correct input, and then the temperature will appear on the display.

When using the food probe, remove the cap and then ensure it is inserted into the thickest part of the meat, and make sure to avoid bones or fat.

i The part of the food probe that goes into the meat should not be exposed to temperatures above 250 °C (480 °F).

⚠ WARNING

Before and after use, clean the food probe with hot, soapy water, taking care not to submerge the wire in the water, and dry immediately.

Take care when handling the food probe as it is sharp.

Always wear heat resistant gloves if handling the food probe when it is hot.

Do not use the food probes at temperatures exceeding 450 °C (842 °F).

5.7 | Changing the unit of measurement

Use a short, single press of the power button to cycle between Celsius (°C) and Fahrenheit (°F).

5.8 | Eco Mode

Use a long press of the back-light button to cycle between full brightness and Eco mode. When in Eco mode a short press of any button will fully illuminate the display for a short period of time.

5.9 | Low battery warning

When the batteries are running out, the low battery warning will come on indicating you should change batteries at the next available opportunity.

⚠ WARNING

Always ensure the oven and temperature hub are fully cool before replacing the batteries.

5.10 | High (Hi) or Low (Lo) Temperature

The Ooni Connect™ Digital Temperature Hub is designed to read cooking temperatures between -30 °C (-22 °F) and 550 °C (999 °F) and food probe temperatures between 0°C (32°F) and 100°C (212°F).

i If the temperatures are outside this range, the relevant display will show either Hi or Lo.

6. Care and maintenance

Ooni Connect™ Digital Temperature Hub: Wipe down with a damp cloth and dry immediately.

Food probes: Before and after every use, clean with hot, soapy water, taking care not to submerge the wire in the water and dry immediately. Not dishwasher safe.

Store your Ooni Connect™ Digital Temperature Hub inside and for extended periods without use; remove the battery to prolong battery life and prevent damage.

⚠ Never submerge the Ooni Connect™ Digital Temperature Hub, food probe or wiring in water.

Troubleshooting

Issue	Possible Cause	Solution
My Ooni Connect™ Digital Temperature Hub will not connect to my device.	<ol style="list-style-type: none"> 1. Your device was not one of the most recent connections. 2. Too far away for the device. 3. Unknown reason. 	<ol style="list-style-type: none"> 1. Follow the Bluetooth pairing steps (5.5) to reconnect your device. 2. Ensure you are within 10m (33ft) of the device with a clear line of sight. 3. Try using the factory reset button to remove all existing Bluetooth connections then follow the steps to start again.
Ambient temperature / food probe temperature is not showing on the display	<ol style="list-style-type: none"> 1. The connection could be dirty. 2. The ambient temperature cable is not plugged into the oven. 3. The probes / sensor may be connected to the wrong input. 4. The probe may be damaged. 	<ol style="list-style-type: none"> 1. Remove the probe/sensor from the Ooni Connect™ Digital Temperature Hub and from the oven. Gently clean with a damp cloth. Allow to fully dry and re-insert into the device. 2. Check the ambient temperature cable is plugged into the correct port on the oven. Try removing and re-installing even if it is. 3. Check you have the correct ambient sensor and food probe plugged into the correct input. 4. Try plugging the probe into the other input, if it works there may be a problem with the device, if it doesn't there may be a problem with probe. Contact Ooni support.
Ambient temperature sensor readings aren't accurate.	<ol style="list-style-type: none"> 1. The probes may be connected to the wrong input. 2. The sensor in the oven could be dirty. 3. The calibration settings of the device have been changed. 4. The wrong Oven ID has been selected. 	<ol style="list-style-type: none"> 1. Check you have the correct ambient sensor plugged into the correct input. 2. Ensuring the oven is completely cold, carefully reach inside and gently clean the temperature sensor with a damp cloth. 3. Download the Ooni app and connect to your device. This will update your Digital Temperature Hub. If issues persist, use the factory reset button to return the device to its original calibration. 4. Follow the steps above to change the Oven ID or use the factory reset.
Display is faint or won't turn on at all.	<ol style="list-style-type: none"> 1. The battery is nearly or is already flat. 2. The Ooni Connect™ Digital Temperature Hub is in Eco mode. 	<ol style="list-style-type: none"> 1. Ensuring the oven is completely cold follow the steps outlined in this manual to replace the batteries. 2. A long press of the back-light button will return the product to full brightness.
Ambient temperature reading is high but my food isn't cooking properly.	Stone may not be warm enough. The stone will take longer to preheat than the oven's ambient temperature.	Give your stone more time to preheat. Use an Ooni Digital Infrared Thermometer to get an accurate reading of stone temperature.
My Ooni Connect™ Digital Temperature Hub is not responsive.	There may be an issue with the software associated with the device.	Remove the batteries and reinstall them.
I have a problem that isn't listed here.	You have discovered a new problem!	Contact support.ooni.com



This marking indicates that this product should not be disposed of with other household wastes throughout the EU and UK. To prevent possible harm to the environment or human health from uncontrolled waste disposal, recycle it responsibly to promote the sustainable reuse of material sources. To return your used device, please use the return and collection systems or contact the retailer where this product was purchased. They can take this product for environmentally safe recycling.

You must have a live internet connection in order for the Ooni app to work.

We recommend you update to the latest version of iOS and Android to operate the Ooni app.

Your mobile device must have Bluetooth wireless technology 4.0 support (Bluetooth® wireless technology Low Energy) in order to set up a connection with the appliance. Check your device specification for compatibility.

- BLE 2.4GHz
- 2.4GHz, 2.5mW

The Bluetooth® word mark and logos are registered trademarks owned by Bluetooth SIG, Inc. and any use of such marks by Ooni Limited is under license. Other trademarks and trade names are those of their respective owners.

⚠ تحذير

اقرأ التعليمات قبل استخدام مركز درجة الحرارة الرقمي Ooni Connect™ واحتفظ بها للرجوع إليها في المستقبل. يمكن أن تكون مجسّات الطعام والأجزاء الأخرى التي يمكن الوصول إليها ساخنةً وحادةً. حافظ على وجود الأطفال الصغار بعيداً عنها.

استخدم فقط مركز درجة الحرارة الرقمي Ooni Connect™ وفق تعليمات هذا الدليل.

لتجنب التلف، قم فقط بتثبيت مركز درجة الحرارة الرقمي Ooni Connect™، وقم بتوجيه الكابلات إلى المواقع الموضّحة في هذا الدليل.

مجسّات الطعام مناسبة للاستخدام في درجات حرارة تصل إلى 480 درجة فهرنهايت (250 درجة مئوية). لا تُستخدم في درجات حرارة تتجاوز هذه الدرجة أو على اللهب المكشوف.

لا تُقم بتعديل مركز درجة الحرارة الرقمي Ooni Connect™.

⚠ تحذير

اغسل مجسّات الطعام وجفّفها يدويًا قبل الاستخدام لأول مرة.

مجسّات الطعام ليست آمنة للغسل في غسّالة الصحون.

لا تستخدم المواد الكيميائية أو المنظفات الكاشطة لتنظيف مجسّات الطعام.

ثمة خطر انفجار إذا تم استبدال البطارية بنوع غير صحيح.

يعمل مركز درجة الحرارة الرقمي Ooni Connect™ مع مجسّات الطعام Ooni. ويمكن أن تكون الملحقات الأخرى غير دقيقة أو لا تعمل أو يُحتمل أن تسبب تلفًا.

مركز درجة الحرارة الرقمي Ooni Connect™

استخدم مركز درجة الحرارة الرقمي Ooni Connect™ للحصول على قياساتٍ دقيقةٍ وفوريةٍ لدرجة الحرارة بالدرجة المئوية (C°) أو درجة فهرنهايت (F°). قُم بتوصيل مُستشعرات الطعام للحصول على لحم مشوي ببطءٍ أو شريحة لحم محمرة بشكلٍ مثالي، وقم بالاتصال بتطبيق Ooni لمراقبة كلِّ هذا من دون الحاجة إلى لمس الفرن.

4.3 | تأمين كابل درجة حرارة الهواء المحيط

ثبّت الكابل بالجانب السفلي من الفرن.

5. باستخدام مركز درجة الحرارة الرقمي Ooni Connect™

5.1 | قم بتحميل تطبيق Ooni

قم بالمسح الضوئي لتنزيل تطبيق Ooni

يُعدّ إعداد مركز درجة الحرارة الرقمي Ooni Connect أمرًا بسيطًا، وسيشرح لك تطبيق Ooni كل خطوة. وإذا كان لديك بالفعل تطبيق Ooni، فتأكد من تحديثه إلى أحدث إصدار.



5.2 | تشغيل/إيقاف تشغيل الجهاز

أ. قم بتشغيل الجهاز بضغط قصيرة على زر التشغيل.

ب. قم بإيقاف تشغيل الجهاز بضغط طويلة على زر التشغيل.

❗ قم بإيقاف تشغيل جهازك عندما لا يكون قيد الاستخدام لتوفير طاقة البطارية. سيتم إيقاف تشغيل الجهاز تلقائيًا بعد 45 دقيقة.

5.3 | ضبط معرف الفرن

بعد التشغيل الأول، ستحتاج إلى ضبط معرف الفرن لمركز درجة الحرارة الرقمي Ooni Connect™. واستخدم زرّ دورة درجة الحرارة وزرّ الإضاءة الخلفية للتنقل بين أرقام معرف الفرن حتى تصل إلى الرقم الصحيح.

مُعرف الفرن لجهاز Ooni Karu 2 Pro هو 002.

قم بتأكيد معرف الفرن هذا بالضغط على زرّ التشغيل.

5.4 | تغيير معرف الفرن

اضغط لفترة طويلة على زرّ دورة درجة الحرارة وزرّ الإضاءة الخلفية معًا لمدة 3 ثوانٍ لإعادة تحديد معرف الفرن. وما عليك سوى تحديث معرف الفرن وتأكيده التحديد.

0. ما الموجود في العلبة

- أ. مركز درجة الحرارة الرقمي Ooni Connect™
- ب. قاعدة التثبيت
- ج. صامولة الإبهام (تأتي مرفقة بالمركز)
- د. كابل درجة الحرارة المحيطة

1. الأزرار والمُدخلات:

- أ. زر التشغيل (يعمل بالضغط لفترة طويلة)
- ب. محدّد الدرجة مئوية/درجة فهرنهايت (يعمل بضغط قصيرة)
- ب. تبديل درجة الحرارة (يعمل بضغط قصيرة)
- ج. تفعيل البلوتوث (يعمل بالضغط لفترة طويلة)
- ج. زرّ الإضاءة الخلفية
- وضع توفير الطاقة (يعمل بالضغط لفترة طويلة)
- الإضاءة الخلفية (تعمل بضغط قصيرة)

2. الشاشة

- أ. عرض درجة الحرارة الرئيسية
- ب. حلقة درجة الحرارة
- ج. مؤشر الدرجة المئوية
- د. مؤشر درجة فهرنهايت
- هـ. مؤشر درجة الحرارة المحيطة
- و. مؤشر مجس الطعام 1

3. تركيب البطاريات

قم بإزالة البراغى باستخدام مفك البراغي وإزالة الغطاء. أدخل بطاريتي AA.

استبدل الغطاء وثبت البراغى.

i إذا كنت تقوم بتخزين الفرن لأكثر من شهر، فقم بإزالة البطاريات.

4. الإعداد والتجميع

4.1 | توصيل مركز درجة الحرارة الرقمي Ooni Connect™

- أ. باستخدام مسماري تثبيت، قم بتوصيل قاعدة التثبيت بالجانب السفلي من الفرن.
- ب. قم بتوصيل المركز الرقمي لدرجة الحرارة Ooni Connect™ بالحامل باستخدام صامولة الإبهام اليدوية (تأتي متصلة بالمركز).

4.2 | توصيل كابل درجة الحرارة المحيطة

- أ. قم بتوصيل كابل درجة الحرارة المحيطة بالإدخال الموجود على الجانب السفلي من الفرن.
- ب. قم بتوصيل الطرف المقابل بالإدخال المقابل في الجزء الخلفي من المركز الرقمي لدرجة الحرارة Ooni Connect™.

5.9 | تحذير انخفاض البطارية

عندما تنفذ البطاريات، سوف يظهر تحذير انخفاض البطارية للإشارة إلى أنه يجب عليك تغيير البطاريات في الفرصة التالية المتاحة.

⚠ تحذير

تأكد دائماً من أن الفرن ومركز درجة الحرارة باردان تماماً قبل استبدال البطاريات.

5.10 | عالية (Hi) أو منخفضة (Lo)

تم تصميم مركز درجة الحرارة الرقمي TM Ooni Connect لقراءة درجات حرارة الطهي بين 30- درجة مئوية (22- درجة فهرنهايت) و 550 درجة مئوية (999 درجة فهرنهايت) ودرجات حرارة مجس الطعام بين 0 درجة مئوية (32 درجة فهرنهايت) و 100 درجة مئوية (212 درجة فهرنهايت).
❗ إذا كانت درجات الحرارة خارج هذا النطاق، فسوف تظهر الشاشة المعنية إما Hi أو Lo.

6. العناية والصيانة

مركز درجة الحرارة الرقمي TM Ooni Connect امسحه بقطعة قماشٍ مبللةٍ وجففه على الفور.
مجسات الطعام: قبل الاستخدام بعده، قم بتنظيف مجس الطعام بالماء الساخن والصابون، مع الحرص على عدم غمر السلك في الماء وتجنيفه على الفور. وهو غير مناسب للغسل في غسالة الصحون.
قم بتخزين مركز درجة الحرارة الرقمي TM Ooni Connect داخل المنزل ولفتراتٍ طويلةٍ من دون استخدامه؛ وقم بإزالة البطارية لإطالة عمرها ومنع تلفها.
⚠ لا تقم، في أي حالٍ من الأحوال، بغمم مركز درجة الحرارة الرقمي TM Ooni Connect أو مجس الطعام أو الأسلاك في الماء.

5.5 | تفعيل اقتران البلوتوث

تأكد من تمكين Bluetooth على جهازك. افتح تطبيق Ooni وانتقل إلى علامة التبويب Ooni Connect. اضغط على زر دورة درجة الحرارة في مركز درجة الحرارة الرقمي Ooni Connect™ لمدة 3 ثوانٍ حتى يبدأ مؤشر حالة Bluetooth في الوميض. واتبع التعليمات الموجودة في تطبيق Ooni لتوصيل جهازك. سوف يؤدي الاتصال الناجح إلى توقف مؤشر حالة Bluetooth عن الوميض وسوف يظل مضيئاً. إذا بدأ مؤشر حالة Bluetooth في الوميض بسرعة، فهذا يعني أن ثمة مشكلة في الاتصال. فحاول إعادة تشغيل عملية الإقتران إذا استمرت المشكلة.

i إذا لم يتم إجراء الاتصال، فسوف يتوقف Bluetooth عن العمل بعد فترة زمنية قصيرة.

5.6 | قراءة مجس الطعام

تأكد من توصيل مجس الطعام بالإدخال الصحيح، ثم سوف تظهر درجة الحرارة على الشاشة. عند استخدام مجس الطعام، فم بازلبة الغطاء ثم تأكد من إدخاله في الجزء السميك من اللحم، وتأكد من تجنب العظام أو الدهون. يجب عدم تعريض جزء مجس الطعام الذي يدخل اللحم لدرجات حرارة أعلى من 250 درجة مئوية (480 درجة فهرنهايت).

⚠ تحذير

قبل الاستخدام وبعده، قم بتنظيف مجس الطعام بالماء الساخن والصابون، مع الحرص على عدم غمر السلك في الماء وتجفيفه على الفور.

توخ الحذر عند التعامل مع مجس الطعام لأنه حاد.

ارتد دائماً قفازات مقاومة للحرارة في حالة التعامل مع مجس الطعام عندما يكون ساخناً.

لا تستخدم مجسات الطعام في درجات حرارة تتجاوز 450 درجة مئوية (842 درجة فهرنهايت).

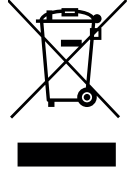
5.7 | تغيير وحدة القياس

قم بالضغط لمرّة واحدة قصيرة على زر التشغيل للتنقل بين الدرجة المئوية (C°) ودرجة فهرنهايت (F°).

5.8 | وضع توفير الطاقة

قم بالضغط لمرّة واحدة طويلة على زر الإضاءة الخلفية للتنقل بين السطوح الكامل ووضع توفير الطاقة. وعندما تكون في وضع توفير الطاقة، سيؤدي الضغط لفترة قصيرة على أي زر إلى إضاءة الشاشة بالكامل لفترة زمنية قصيرة.

تشيرُ هذه العلامةُ إلى أَنَّهُ لا ينبغي التخلصُ من هذا المنتجِ معَ النفاياتِ المنزليةِ الأخرى في جميع أنحاءِ الاتحادِ الأوروبيِ والمملكةِ المتحدةِ. ولمنعِ الضررِ المُحتملِ على البيئةِ أو صحةِ الإنسانِ الناتجةِ عن التخلصِ غيرِ المنضبطِ من النفاياتِ، قم بإعادةِ تدويرها بِشكلٍ مسؤولٍ لتعزيزِ إعادةِ الاستخدامِ المستدامِ لمصادرِ الموادِ. ولإرجاعِ جِهَازِكَ المُستخدمِ، يُرجى استخدامُ أنظمةِ الإرجاعِ والاستلامِ أو الاتصالِ ببائعِ التجزئةِ حيثَ تمَّ شِراءُ هذا المنتجِ. ويمكنهم أخذُ هذا المنتجِ لإعادةِ التدويرِ الأمانِ بيئيًا.



يجبُ أن يكونَ لديكِ اتصالٌ مباشرٌ بالإنترنت حتى يعمل تطبيقُ Ooni.

نوصي بالتحديثِ إلى أحدثِ إصدارٍ من iOS وAndroid لتشغيلِ تطبيقِ Ooni.

يجبُ أن يحتوي جِهَازُكَ المحمولُ على دعمِ تقنيةِ Bluetooth اللاسلكيةِ 4.0 (تقنية Bluetooth® اللاسلكية منخفضة الطاقة) لإعدادِ الاتصالِ بالجهازِ. وتحققِ من مواصفاتِ جِهَازِكَ للتأكدِ من توافقهِ.

- BLE 2.4 جيجا هرتز

- 2.4 جيجا هرتز ، 2.5 ملي وات

علامة كلمة Bluetooth® والشعارات هي علاماتٌ تجاريةٌ مسجلةٌ مملوكةٌ لشركة Bluetooth SIG, Inc. وأي استخدامٍ لهذه العلامات من قبل Ooni Limited يكون بموجب ترخيص. العلامات التجارية والأسماء التجارية الأخرى هي ملكٌ لأصحابها المعنيين.

المشكلة	السبب المحتمل	الحل
لن يتصل مركز درجة الحرارة الرقمي Ooni Connect™ بجهازك.	<ol style="list-style-type: none"> 1. لم يكن جهازك من بين الاتصالات الأخيرة. 2. بعيداً للغاية عن الجهاز. 3. سبب غير معروف. 	<ol style="list-style-type: none"> 1. اتبع خطوات إقران Bluetooth (5.5) لإعادة توصيل جهازك. 2. تأكد من أنك على بعد 10 أمتار (33 قدماً) من الجهاز مع رؤية مباشرة. 3. حاول استخدام زر إعادة ضبط المصنع لإزالة جميع اتصالات Bluetooth الحالية ثم اتبع الخطوات للبدء من جديد.
درجة الحرارة المحيطة/درجة حرارة مجس الطعام لا تظهر على الشاشة	<ol style="list-style-type: none"> 1. يمكن أن يكون الاتصال غير نظيف. 2. لم يتم توصيل كابل درجة الحرارة المحيطة بالفرن. 3. يمكن أن تكون المجسات/المستشعرات متصلة بالإدخال الخاطئ. 4. يمكن أن يكون المجس تالفاً. 	<ol style="list-style-type: none"> 1. قم بإزالة المجس/المستشعر من مركز درجة الحرارة الرقمي Ooni Connect™ ومن الفرن. ونظف بلطف بقطعة قماش مبللة. واتركه حتى يجف تماماً وأعد إدخاله في الجهاز. 2. تحقق من توصيل كابل درجة الحرارة المحيطة بالمنفذ الصحيح في الفرن. وحاول الإزالة وإعادة التثبيت حتى إذا كان موصلًا بالفعل. 3. تحقق من توصيل المستشعر المحيط الصحيح ومجس الطعام بالإدخال الصحيح. 4. حاول توصيل المجس بالإدخال الآخر، وإذا عمل، فقد يكون ثمة مشكلة في الجهاز، وإذا لم يعمل، فقد يكون ثمة مشكلة في المجس. واتصل بدعم Ooni.
قراءات مستشعر درجة الحرارة المحيطة ليست دقيقة.	<ol style="list-style-type: none"> 1. يمكن أن تكون المجسات متصلة بالإدخال الخاطئ. 2. يمكن أن يكون المستشعر في الفرن متسخاً. 3. تم تغيير إعدادات المعايرة الخاصة بالجهاز. 4. تم تحديث معرف الفرن غير الصحيح. 	<ol style="list-style-type: none"> 1. تحقق من توصيل المستشعر المحيط الصحيح بالإدخال الصحيح. 2. تأكد من أن الفرن بارد للغاية، وبمعناية، أدخل يدك في الداخل ونظف مستشعر درجة الحرارة برفق بقطعة قماش مبللة. 3. قم بتنزيل تطبيق Ooni واتصل بجهازك. وسيؤدي هذا إلى تحديث مركز درجة الحرارة الرقمي الخاص بك. وإذا استمرت المشكلات، فاستخدم زر إعادة ضبط المصنع لإعادة الجهاز إلى معاييرته الأصلية. 4. اتبع الخطوات المذكورة أعلاه لتغيير معرف الفرن أو استخدام إعادة ضبط المصنع.
لن يتم تشغيلها على الإطلاق أو الشاشة باهتة.	<ol style="list-style-type: none"> 1. البطارية على وشك الانتهاء أو فارغة بالفعل. 2. مركز درجة الحرارة الرقمي Ooni Connect™ في وضع توفير الطاقة. 	<ol style="list-style-type: none"> 1. تأكد من أن الفرن بارد تماماً، واتباع الخطوات الموضحة في هذا الدليل لاستبدال البطاريات. 2. سوف يؤدي الضغط لفترة طويلة على زر الإضاءة الخلفية إلى إعادة المنتج إلى السطوع الكامل.
قراءة درجة حرارة مُحيطية مرتفعة، ولكن طعامي لا يطبخ بشكل صحيح.	يمكن ألا يكون الحجر دافئاً بدرجة كافية وسوف يستغرق تسخين الحجر وقتاً أطول من درجة الحرارة المحيطة بالفرن.	امنح حجرك مزيداً من الوقت للتسخين المسبق. واستخدم مقياس حرارة الأشعة تحت الحمراء الرقمي Ooni للحصول على قراءة دقيقة لدرجة حرارة الحجر.
جهازك Ooni Connect™ Digital الخاص بي مركز درجة الحرارة لا يستجيب.	يمكن أن تكون ثمة مشكلة في البرنامج المرتبط بالجهاز.	قم بإزالة البطاريات وإعادة تركيبها.
لدي مشكلة غير مدرجة هنا.	اكتشفت مشكلة جديدة!	اتصل بـ support.ooni.com

DANSK

ADVARSEL

Læs instruktionerne, før du bruger Ooni Connect™ Digital Temperature Hub, og gem dem til fremtidig reference.

Fødevarer og andre tilgængelige dele kan være varme og skarpe. Hold små børn væk.

Brug kun Ooni Connect™ Digital Temperature Hub som anvist i denne vejledning. For at undgå skader må du kun montere Ooni Connect™ Digital Temperatur-hub og føre kablerne til de steder, der er angivet i denne vejledning.

Fødevarer er velegnede til brug ved temperaturer på op til 480 °F (250 °C). Må ikke anvendes ved højere temperaturer eller i åben ild.

Modificer ikke Ooni Connect™ Digital Temperature Hub.

FORSIGTIGHED

Vask og tør fødesonderne i hånden før første brug.

Fødevarer tåler ikke opvaskemaskine.

Brug ikke kemikalier eller slibende rengøringsmidler til at rengøre madsonderne.

Eksplodingsfare, hvis batteriet udskiftes med en forkert type.

Ooni Connect™ Digital Temperatur-hub er kompatibel med Ooni fødevarerprober; andet tilbehør kan være unøjagtigt, ikke fungere eller potentielt forårsage skade.

Ooni Connect™ Digital Temperaturhub

Brug Ooni Connect™ Digital Temperature Hub til nøjagtige og øjeblikkelige temperaturmålinger i Celsius (°C) eller Fahrenheit (°F). Tilslut madprobe(r) for at få den perfekte langtidsstegning eller stegte bøf, og opret forbindelse til Ooni-appen for at overvåge alt dette uden at skulle røre ved din ovn.

0. Hvad er der i kassen

- a. Ooni Connect™ Digital Temperatur-hub
- b. Monteringsbeslag
- c. Tommelfingermetrik (følger med navet)
- d. Kabel til omgivelsestemperatur
- e. Fødevarerprobe
- f. AA-batterier
- g. Skruer til beslag

1. Knapper og indgange:

- a. Tænd/sluk-knap (langt tryk)
°C / °F vælger (kort tryk)
- b. Temperaturcyklus (kort tryk)
Bluetooth-aktivering (langt tryk)
- c. Knap til baggrundsbelysning
Eco-mode (langt tryk)
Baggrundslis (kort tryk)
- d. Fødevarerprobe-indgang 1
- e. Fødevarerprobeindgang 2 (valgfrit)
- f. Indgang til omgivelsestemperatur A
- g. Knap til fabriksnulstilling

2. Skærm

- a. Visning af hovedtemperatur
- b. Temperaturring
- c. °C-indikator
- d. °F-indikator
- e. Indikator for omgivelsestemperatur
- f. Fødevarerprobe 1 Indikator
- g. Display for fødevarerprobe 1
- h. Indikator for fødevarerprobe 2 (ekstraudstyr)
- i. Food probe 2 display (valgfrit)
- j. Bluetooth-statusindikator
- k. Indikator for lavt batteri
- l. Indikator for økotilstand

3. Installer batterier

Fjern skrueerne med en skruetrækker, og fjern lugen. Sæt 2x AA-batterier i. Sæt lugen på plads, og fastgør skrueerne.

 Hvis du opbevarer ovnen i mere end en måned, skal du fjerne batterierne.

4. Opsætning og samling

4.1 | Montering af Ooni Connect™ Digital Temperature Hub

- a. Sæt monteringsbeslaget fast på ovnens underside med 2 beslagskrueer.
- b. Sæt Ooni Connect™ Digital Temperatur-hub på beslaget ved hjælp af fingermetrikken (følger med Hub'en).

4.2 | Montering af kablet til omgivelsestemperatur

- a. Sæt kablet til omgivelsestemperatur i indgangen på undersiden af ovnen.
- b. Sæt den modsatte ende i den tilsvarende indgang på bagsiden af Ooni Connect™ Digital Temperature Hub.

4.3 | Fastgørelse af kablet til den omgivende lufttemperatur

Klip kablet fast på undersiden af ovnen.

5. Brug af Ooni Connect™ Digital Temperature Hub

5.1 | Download Ooni-appen



Scan for at downloade Ooni-appen

Opsætning af din Ooni Connect™ Digital Temperatur-hub er enkel, og Ooni-appen guider dig gennem hvert trin. Hvis du allerede har Ooni-appen, skal du sørge for at opdatere til den nyeste version.

DANSK

5.2 | Tænder/slukker for enheden

- Tænd for enheden med et kort tryk på tænd/sluk-knappen.
 - Sluk for enheden med et langt tryk på tænd/sluk-knappen.
- i** Sluk for din enhed, når den ikke er i brug, for at spare på batteriet. Enheden slukker automatisk efter 45 minutter.

5.3 | Indstilling af ovn-id

Efter den første tænding skal du indstille ovn-id'et for din Ooni Connect™ Digital Temperature Hub. Brug temperaturcyklusknappen og baggrundsbelysningsknappen til at skifte mellem ovns id-numre, indtil du når det korrekte.

Ovn-id'et til Ooni Karu 2 Pro er 002.

Bekræft dette ovn-id ved at trykke på tænd/sluk-knappen.

5.4 | Ændring af ovn-ID

Tryk og hold temperaturcyklusknappen og baggrundsbelysningsknappen nede i 3 sekunder for at genvælge ovn-id'et. Du skal blot opdatere ovn-id'et og bekræfte valget.

5.5 | Aktivering af Bluetooth-parring

Sørg for, at Bluetooth er aktiveret på din enhed. Åbn Ooni-appen , og naviger til fanen Ooni Connect.

Tryk på temperaturcyklusknappen på din Ooni Connect™ Digital Temperature Hub i 3 sekunder, indtil Bluetooth-statusindikatoren begynder at blinke. Følg instruktionerne i Ooni-appen for at tilslutte din enhed.

En vellykket forbindelse vil få Bluetooth-statusindikatoren til at holde op med at blinke og forblive tændt.

Hvis Bluetooth-statusindikatoren begynder at blinke hurtigt, betyder det, at der er et problem med forbindelsen. Prøv at genstarte parringsprocessen, hvis problemet fortsætter.

i Hvis der ikke oprettes forbindelse, slukkes Bluetooth efter kort tid.

5.6 | Aflæsning af fødevarerensonden

Kontrollér, at madproben er sat i den rigtige indgang, og derefter vises temperaturen på displayet.

Når du bruger madproben, skal du fjerne hættten og derefter sørge for, at den stikkes ind i den tykkeste del af kødet, og sørge for at undgå knogler eller fedt.

i Den del af fødevarerensonden, der går ind i kødet, må ikke udsættes for temperaturer over 250 °C (480 °F).

▲ ADVARSEL

Før og efter brug skal fødevarerensonden rengøres med varmt sæbevand, uden at ledningen nedsænkes i vandet, og tørres med det samme.

Vær forsigtig, når du håndterer fødevarerensonden, da den er skarp.

Brug altid varmebestandige handsker, hvis du håndterer fødevarerensonden, når den er varm.

Brug ikke madsonderne ved temperaturer over 450 °C (842 °F).

5.7 | Ændring af måleenheden

Brug et kort, enkelt tryk på tænd/sluk-knappen til at skifte mellem Celsius (°C) og Fahrenheit (°F).

5.8 | Eco-tilstand

Brug et langt tryk på baggrundsbelysningsknappen til at skifte mellem fuld lysstyrke og Eco-tilstand. Når du er i Eco-tilstand, vil et kort tryk på en hvilken som helst knap oplyse displayet fuldt ud i en kort periode.

5.9 | Advarsel om lavt batteri

Når batterierne er ved at løbe tør, tændes advarslen om lavt batteri, hvilket indikerer, at du bør skifte batterier ved næste tilgængelige lejlighed.

⚠ ADVARSEL

Sørg altid for, at ovnen og temperaturhubben er helt afkølede, før du udskifter batterierne.

5.10 | Høj (Hi) eller Lav (Lo) temperatur

Ooni Connect™ Digital Temperature Hub er designet til at aflæse tilberedningstemperaturer mellem -30 °C (-22 °F) og 550 °C (999 °F) og madsondetemperaturer mellem 0 °C (32 °F) og 100 °C (212 °F).

- i** Hvis temperaturerne ligger uden for dette område, vil det relevante display vise enten Hi eller Lo.

6. Pleje og vedligeholdelse

Ooni Connect™ Digital Temperatur-hub: Tør af med en fugtig klud, og tør straks.

Madsonder: Før og efter hver brug skal du rengøre med varmt sæbevand, pas på ikke at nedsænke ledningen i vandet og tørre med det samme. Tåler ikke opvaskemaskine.

Opbevar din Ooni Connect™ Digital Temperatur-hub indenfor og i længere perioder uden brug; tag batteriet ud for at forlænge batteriets levetid og forhindre skader.

- ⚠** Nedsenk aldrig Ooni Connect™ Digital Temperature Hub, madsonden eller ledningerne i vand.

Fejlfinding

Udgave	Mulig årsag	Løsning
Min Ooni Connect™ Digital Temperature Hub vil ikke oprette forbindelse til min enhed.	<ol style="list-style-type: none"> 1. Din enhed var ikke en af de seneste forbindelser. 2. For langt væk til apparatet. 3. Ukendt årsag. 	<ol style="list-style-type: none"> 1. Følg Bluetooth-parringstrinene (5.5) for at tilslutte din enhed igen. 2. Sørg for, at du er inden for 10 m (33 fod) fra enheden med fri synslinje. 3. Prøv at bruge fabriksnulstillingsknappen til at fjerne alle eksisterende Bluetooth-forbindelser, og følg derefter trinene for at starte igen.
Omgivelsestemperatur / madsondetemperatur vises ikke på displayet	<ol style="list-style-type: none"> 1. Forbindelsen kan være snavset. 2. Kablet til omgivelsestemperatur er ikke tilsluttet ovnen. 3. Sonderne / sensoren kan være tilsluttet den forkerte indgang. 4. Sonden kan være beskadiget. 	<ol style="list-style-type: none"> 1. Fjern sonden/sensoren fra Ooni Connect™ Digital Temperature Hub og fra ovnen. Rengør forsigtigt med en fugtig klud. Lad det tørre helt, og sæt det i enheden igen. 2. Kontroller, at kablet til omgivelsestemperatur er sat i den korrekte port på ovnen. Prøv at fjerne og geninstallere, selv om det er tilfældet. 3. Kontroller, at du har den korrekte omgivelsessensor og madsonde tilsluttet den korrekte indgang. 4. Prøv at sætte proben i den anden indgang, hvis det virker, kan der være et problem med enheden, hvis det ikke gør, kan der være et problem med proben. Kontakt Ooni support.
Aflæsninger af omgivelsestemperatursensoren er ikke nøjagtige.	<ol style="list-style-type: none"> 1. Sonderne kan være tilsluttet den forkerte indgang. 2. Sensoren i ovnen kan være snavset. 3. Enhedens kalibreringsindstillinger er blevet ændret. 4. Det forkerte ovn-id er valgt. 	<ol style="list-style-type: none"> 1. Tjek, at du har sat den rigtige omgivelsessensor i den rigtige indgang. 2. Sørg for, at ovnen er helt kold, og gå forsigtigt ind og rengør temperatursensoren med en fugtig klud. 3. Download Ooni-appen, og opret forbindelse til din enhed. Dette vil opdatere din digitale temperaturhub. Hvis problemerne fortsætter, skal du bruge fabriksnulstillingsknappen til at returnere enheden til dens oprindelige kalibrering. 4. Følg trinene ovenfor for at ændre ovn-id'et eller bruge fabriksnulstillingen.
Skærmen er svag eller tænder slet ikke.	<ol style="list-style-type: none"> 1. Batteriet er næsten eller allerede fladt. 2. Ooni Connect™ Digital Temperature Hub er i Eco-tilstand. 	<ol style="list-style-type: none"> 1. Sørg for, at ovnen er helt kold, og følg de trin, der er beskrevet i denne vejledning, for at udskifte batterierne. 2. Et langt tryk på baggrundsbelysningsknappen vil returnere produktet til fuld lysstyrke.
Aflæsningen af omgivelsestemperaturen er høj, men min mad tilberedes ikke ordentligt.	Sten er måske ikke varm nok. Stenen er længere tid om at blive forvarmet end ovnens omgivelsestemperatur.	Giv din sten mere tid til at forvarme. Brug et Ooni digitalt infrarødt termometer til at få en nøjagtig aflæsning af stentemperaturen.
Min Ooni Connect™ Digital Temperature Hub reagerer ikke.	Der kan være et problem med den software, der er knyttet til enheden.	Fjern batterierne og geninstaller dem.
Jeg har et problem, der ikke er angivet her.	Du har opdaget et nyt problem!	Kontakt support.ooni.com



Denne mærkning angiver, at dette produkt ikke må bortskaffes sammen med andet husholdningsaffald i hele EU og Storbritannien. For at forhindre mulig skade på miljøet eller menneskers sundhed fra ukontrolleret bortskaffelse af affald skal du genbruge det ansvarligt for at fremme bæredygtig genbrug af materialekilder. For at returnere din brugte enhed skal du bruge retur- og indsamlingssystemerne eller kontakte forhandleren, hvor dette produkt blev købt. De kan tage dette produkt til miljømæssig sikker genbrug.

Du skal have en live internetforbindelse, for at Ooni-appen kan fungere.

Vi anbefaler, at du opdaterer til den nyeste version af iOS og Android for at betjene Ooni-appen.

Din mobilenhed skal have understøttelse af trådløs Bluetooth-teknologi 4.0 (Bluetooth® trådløs teknologi Low Energy) for at kunne oprette forbindelse til apparatet. Tjek din enhedsspecifikation for kompatibilitet.

- BLE 2.4 GHz
- 2,4 GHz, 2,5 mW

Bluetooth®-ordmærket og logoerne er registrerede varemærker, der ejes af Bluetooth SIG, Inc. og enhver brug af sådanne mærker af Ooni Limited er under licens. Andre varemærker og handelsnavne tilhører deres respektive ejere.

DEUTSCH

WARNUNG

Lesen Sie die Anweisungen, bevor Sie den Ooni Connect™ Digital Temperature Hub verwenden, und bewahren Sie sie zum späteren Nachschlagen auf.

Lebensmittelsonden und andere zugängliche Teile können heiß und scharfkantig sein. Halten Sie kleine Kinder fern.

Verwenden Sie den Ooni Connect™ Digital Temperature Hub nur gemäß den Anweisungen in dieser Anleitung.

Um Schäden zu vermeiden, montieren Sie den Ooni Connect™ Digital Temperature Hub und verlegen Sie das/die Kabel nur an der/den in dieser Anleitung angegebenen Stelle(n).

Die Lebensmittelsonden sind für den Einsatz bei Temperaturen von bis zu 250 °C (480 °F) geeignet. Nicht bei höheren Temperaturen oder auf offenem Feuer verwenden.

Modifizieren Sie den Ooni Connect™ Digital Temperature Hub nicht.

VORSICHT

Waschen und trocknen Sie die Lebensmittelsonden vor dem ersten Gebrauch von Hand.

Die Lebensmittelsonden sind nicht spülmaschinenfest.

Verwenden Sie keine Chemikalien oder Scheuermittel, um die Lebensmittelsonden zu reinigen.

Es besteht Explosionsgefahr, wenn die Batterie durch einen falschen Typ ersetzt wird.

Der Ooni Connect™ Digital Temperature Hub funktioniert mit Ooni-Lebensmittelsonden; anderes Zubehör kann ungenau sein, nicht funktionieren oder möglicherweise Schäden verursachen.

Ooni Connect™ Digitaler Temperatur-Hub

Verwenden Sie den Ooni Connect™ Digital Temperature Hub für genaue und sofortige Temperaturmessungen in Celsius (°C) oder Fahrenheit (°F). Schließen Sie die Lebensmittelsonde(n) an, um den perfekt schonend gegarten Braten oder ein Steak wie aus dem Bilderbuch zu erhalten, und verbinden Sie sich mit der Ooni-App, um all dies zu überwachen, ohne Ihren Ofen berühren zu müssen.

0. Was ist in der Box

- a. Ooni Connect™ Digital Temperature Hub
- b. Montagehalterung
- c. Rändelmutter (wird am Hub befestigt)
- d. Kabel für Umgebungstemperatur
- e. Lebensmittelsonde
- f. AA-Batterien
- g. Schrauben der Halterung

1. Tasten und Eingänge:

- a. Einschalttaste (langes Drücken)
°C / °F-Wahlschalter (kurzes Drücken)
- b. Temperaturzyklus (kurzes Drücken)
Bluetooth-Aktivierung (langes Drücken)
- c. Taste für die Hintergrundbeleuchtung
Eco-Modus (langes Drücken)
Hintergrundbeleuchtung
(kurzes Drücken)
- d. Lebensmittelsonde Eingang 1
- e. Lebensmittelsonde Eingang 2 (optional)
- f. Umgebungstemperatur Eingang A
- g. Taste zum Zurücksetzen
auf Werkseinstellungen

2. Bildschirm

- a. Haupttemperaturanzeige
- b. Temperaturring
- c. °C-Anzeige
- d. °F-Anzeige
- e. Anzeige der Umgebungstemperatur
- f. Lebensmittelsonde 1 Anzeige
- g. Lebensmittelsonde 1 Display
- h. Lebensmittelsonde 2
Anzeige (optional)
- i. Lebensmittelsonde 2
Display (optional)
- j. Bluetooth-Statusanzeige
- k. Anzeige für schwache Batterie
- l. Anzeige des Eco-Modus

3. Batterien einlegen

Entfernen Sie die Schrauben mit einem Schraubendreher und nehmen Sie die Klappe ab. Legen Sie 2x AA-Batterien ein.
Bringen Sie die Klappe wieder an und ziehen Sie die Schrauben fest.

 Wenn Sie den Ofen länger als einen Monat lagern, entfernen Sie die Batterien.

4. Aufbau und Montage

4.1 | Anbringen des Ooni Connect™ Digital Temperature Hub

- a. Befestigen Sie die Montagehalterung mit 2 Schrauben an der Unterseite des Ofens.
- b. Befestigen Sie den Ooni Connect™ Digital Temperature Hub mit der Rändelmutter (ist am Hub befestigt) an der Halterung.

4.2 | Anbringen des Kabels für die Umgebungstemperatur

- a. Stecken Sie das Kabel für die Umgebungstemperatur in den Eingang an der Unterseite des Ofens.
- b. Stecken Sie das gegenüberliegende Ende in den entsprechenden Eingang auf der Rückseite des Ooni Connect™ Digital Temperature Hub.

4.3 | Sichern des Kabels für die Umgebungslufttemperatur

Befestigen Sie das Kabel an der Unterseite des Ofens.

5. Verwendung des Ooni Connect™ Digital Temperature Hub

5.1 | Lade die Ooni-App herunter



Scannen, um die Ooni-App herunterzuladen

Das Einrichten Ihres Ooni Connect™ Digital Temperature Hub ist einfach, und die Ooni-App führt Sie durch jeden Schritt. Wenn du die Ooni-App bereits hast, stelle sicher, dass du auf die neueste Version aktualisierst.

5.2 | Ein-/Ausschalten des Geräts

- a. Schalten Sie das Gerät mit einem kurzen Druck auf die Einschalttaste ein.
 - b. Schalten Sie das Gerät aus, indem Sie lange auf die Einschalttaste drücken.
- i** Schalten Sie Ihr Gerät aus, wenn es nicht verwendet wird, um den Akku zu schonen. Das Gerät schaltet sich nach 45 Minuten automatisch ab.

5.3 | Festlegen der Ofen-ID

Nach dem ersten Einschalten müssen Sie die Ofen-ID für Ihren Ooni Connect™ Digital Temperature Hub einstellen. Verwenden Sie die Taste für den Temperaturzyklus und die Taste für die Hintergrundbeleuchtung, um zwischen den Ofen-ID-Nummern zu wechseln, bis Sie die richtige Nummer erreicht haben.

Die Ofen-ID für Ooni Karu 2 Pro ist 002.

Bestätigen Sie diese Ofen-ID durch Drücken der Einschalttaste.

5.4 | Ändern der Ofen-ID

Halten Sie die Taste für den Temperaturzyklus und die Taste für die Hintergrundbeleuchtung gleichzeitig 3 Sekunden lang gedrückt, um die Ofen-ID erneut auszuwählen. Aktualisieren Sie einfach die Ofen-ID und bestätigen Sie die Auswahl.

5.5 | Aktivieren der Bluetooth-Kopplung

Stellen Sie sicher, dass Bluetooth auf Ihrem Gerät aktiviert ist. Öffnen Sie die Ooni-App und navigieren Sie zur Ooni Connect-Registerkarte.

Drücken Sie die Taste für den Temperaturzyklus an Ihrem Ooni Connect™ Digital Temperature Hub für 3 Sekunden, bis die Bluetooth-Statusanzeige zu blinken beginnt. Folgen Sie den Anweisungen in der Ooni App, um Ihr Gerät zu verbinden.

Eine erfolgreiche Verbindung führt dazu, dass die Bluetooth-Statusanzeige aufhört zu blinken und weiterhin leuchtet.

Wenn die Bluetooth-Statusanzeige schnell zu blinken beginnt, bedeutet dies, dass ein Problem mit der Verbindung vorliegt. Versuchen Sie, den Kopplungsvorgang neu zu starten, wenn das Problem weiterhin besteht.

i Wenn keine Verbindung hergestellt wird, schaltet sich Bluetooth nach kurzer Zeit ab.

5.6 | Ablesen der Lebensmittelsonde

Überprüfen Sie, ob die Lebensmittelsonde an den richtigen Eingang angeschlossen ist, und dann wird die Temperatur auf dem Display angezeigt.

Wenn Sie die Lebensmittelsonde verwenden, entfernen Sie die Kappe und stellen Sie sicher, dass sie in die dickste Stelle des Fleisches eingeführt ist. Achten Sie darauf, Knochen oder Fett zu vermeiden.

i Der Teil der Lebensmittelsonde, der in das Fleisch eingeführt wird, sollte keinen Temperaturen über 250 °C (480 °F) ausgesetzt werden.

⚠ WARNUNG

Reinigen Sie die Lebensmittelsonde vor und nach dem Gebrauch mit heißem Seifenwasser, achten Sie darauf, den Draht nicht in das Wasser zu tauchen, und trocknen Sie die Sonde sofort ab.

Seien Sie vorsichtig beim Umgang mit der Lebensmittelsonde, da sie scharf ist.

Tragen Sie immer hitzebeständige Handschuhe, wenn Sie die heiße Lebensmittelsonde anfassen.

Verwenden Sie die Lebensmittelfühler nicht bei Temperaturen über 450 °C (842 °F).

5.7 | Ändern der Maßeinheit

Durch kurzes, einmaliges Drücken der Einschalttaste können Sie zwischen Celsius (°C) und Fahrenheit (°F) wechseln.

5,8 | Eco-Modus

Drücken Sie lange auf die Hintergrundbeleuchtungstaste, um zwischen voller Helligkeit und Eco-Modus zu wechseln. Im Eco-Modus wird das Display durch kurzes Drücken einer beliebigen Taste für kurze Zeit vollständig beleuchtet.

5.9 | Warnung bei niedrigem Batteriestand

Wenn die Batterien leer sind, leuchtet die Warnung bei niedrigem Batteriestand auf, die darauf hinweist, dass Sie die Batterien bei der nächsten Gelegenheit wechseln sollten.

⚠️ WARNUNG

Stellen Sie immer sicher, dass der Ofen und der Temperature Hub vollständig abgekühlt sind, bevor Sie die Batterien austauschen.

5.10 | Hohe (Hi) oder niedrige (Lo) Temperatur

Der Ooni Connect™ Digital Temperature Hub wurde entwickelt, um Gartemperaturen zwischen -30 °C (-22 °F) und 550 °C (999 °F) und Temperaturen von Lebensmittelfühlern zwischen 0 °C (32 °F) und 100 °C (212 °F) zu messen.

- ?** Wenn die Temperaturen außerhalb dieses Bereichs liegen, zeigt das entsprechende Display entweder Hi oder Lo an.

6. Pflege und Wartung

Ooni Connect™ Digital Temperature Hub: Mit einem feuchten Tuch abwischen und sofort trocknen.

Lebensmittel-Sonden: Reinigen Sie das Gerät vor und nach jedem Gebrauch mit heißem Seifenwasser, wobei Sie darauf achten müssen, dass der Draht nicht in das Wasser getaucht wird, und trocknen Sie es sofort ab. Nicht spülmaschinenfest.

Bewahren Sie Ihren Ooni Connect™ Digital Temperature Hub im Innenbereich auf, wenn Sie ihn längere Zeit nicht benutzen; nehmen Sie die Batterie heraus, um die Lebensdauer der Batterie zu verlängern und Schäden zu vermeiden.

- ⚠️** Tauchen Sie den Ooni Connect™ Digital Temperature Hub, den Lebensmittelfühler oder die Verkabelung niemals in Wasser.

Fehlerbehebung

Ausgabe	Mögliche Ursache	Lösung
Mein Ooni Connect™ Digital Temperature Hub verbindet sich nicht mit meinem Gerät.	<ol style="list-style-type: none"> 1. Ihr Gerät gehörte nicht zu den letzten Verbindungen. 2. Zu weit weg für das Gerät. 3. Unbekannter Grund. 	<ol style="list-style-type: none"> 1. Befolgen Sie die Schritte zur Bluetooth-Kopplung (5.5), um Ihr Gerät wieder zu verbinden. 2. Vergewissern Sie sich, dass Sie sich in einem Umkreis von 10 m um das Gerät befinden und eine klare Sichtlinie haben. 3. Versuchen Sie, mit der Taste zum Zurücksetzen auf die Werkseinstellungen alle vorhandenen Bluetooth-Verbindungen zu entfernen, und befolgen Sie dann die Schritte, um erneut zu starten.
Umgebungstemperatur/Temperatur des Lebensmittelfühlers wird nicht auf dem Display angezeigt	<ol style="list-style-type: none"> 1. Die Verbindung könnte verschmutzt sein. 2. Das Umgebungstemperaturkabel ist nicht an den Backofen angeschlossen. 3. Die Sonden/Sensoren sind möglicherweise an den falschen Eingang angeschlossen. 4. Die Sonde kann beschädigt sein. 	<ol style="list-style-type: none"> 1. Entfernen Sie den Fühler/Sensor aus dem Ooni Connect™ Digital Temperature Hub und aus dem Backofen. Vorsichtig mit einem feuchten Tuch reinigen. Vollständig trocknen lassen und wieder in das Gerät einsetzen. 2. Überprüfen Sie, ob das Kabel für die Umgebungstemperatur an den richtigen Anschluss am Ofen angeschlossen ist. Versuchen Sie, es zu entfernen und neu zu installieren, selbst wenn es installiert ist. 3. Vergewissern Sie sich, dass der richtige Umgebungssensor und die richtige Lebensmittelsonde an den richtigen Eingang angeschlossen sind. 4. Versuchen Sie, die Sonde an den anderen Eingang anzuschließen. Wenn sie funktioniert, liegt möglicherweise ein Problem mit dem Gerät vor, wenn nicht, liegt möglicherweise ein Problem mit der Sonde vor. Wenden Sie sich an den Ooni-Support.
Die Messwerte des Umgebungstemperatursensors sind nicht genau.	<ol style="list-style-type: none"> 1. Es kann sein, dass die Sonden an den falschen Eingang angeschlossen sind. 2. Der Sensor im Backofen könnte verschmutzt sein. 3. Die Kalibrierungseinstellungen des Gerätes wurden geändert. 4. Es wurde die falsche Ofen-ID ausgewählt. 	<ol style="list-style-type: none"> 1. Vergewissern Sie sich, dass der richtige Umgebungssensor an den richtigen Eingang angeschlossen ist. 2. Stellen Sie sicher, dass der Ofen vollständig kalt ist, greifen Sie vorsichtig hinein und reinigen Sie den Temperatursensor vorsichtig mit einem feuchten Tuch. 3. Laden Sie die Ooni-App herunter und verbinden Sie sich mit Ihrem Gerät. Dadurch wird Ihr Digital Temperature Hub aktualisiert. Wenn die Probleme weiterhin bestehen, verwenden Sie die Taste zum Zurücksetzen auf die Werkseinstellungen, um das Gerät auf die ursprüngliche Kalibrierung zurückzusetzen. 4. Führen Sie die oben genannten Schritte durch, um die Ofen-ID zu ändern oder das Gerät auf die Werkseinstellungen zurückzusetzen.
Das Display ist schwach oder lässt sich überhaupt nicht einschalten.	<ol style="list-style-type: none"> 1. Der Akku ist fast leer oder schon leer. 2. Der Ooni Connect™ Digital Temperature Hub befindet sich im Eco-Modus. 	<ol style="list-style-type: none"> 1. Vergewissern Sie sich, dass der Ofen vollständig abgekühlt ist, und befolgen Sie die in diesem Handbuch beschriebenen Schritten zum Auswechseln der Batterien. 2. Durch langes Drücken der Hintergrundbeleuchtungstaste wird das Produkt wieder auf volle Helligkeit gebracht.
Die Umgebungstemperatur ist hoch, aber mein Essen gart nicht richtig.	Stein ist möglicherweise nicht warm genug. Der Stein braucht länger zum Vorheizen als die Umgebungstemperatur des Ofens.	Geben Sie Ihrem Stein mehr Zeit zum Vorheizen. Verwenden Sie ein digitales Infrarot-Thermometer von Ooni, um eine genaue Messung der Steintemperatur zu erhalten.
Mein Ooni Connect™ Digital Temperature Hub reagiert nicht.	Möglicherweise liegt ein Problem mit der Software vor, die mit dem Gerät verknüpft ist.	Entfernen Sie die Batterien und setzen Sie sie wieder ein.
Ich habe ein Problem, das hier nicht aufgeführt ist.	Sie haben ein neues Problem entdeckt!	Wenden Sie sich an support.ooni.com



Diese Kennzeichnung weist darauf hin, dass dieses Produkt nicht mit anderen Haushaltsabfällen in der EU und im Vereinigten Königreich entsorgt werden darf. Um mögliche Schäden für die Umwelt oder die menschliche Gesundheit durch unkontrollierte Abfallentsorgung zu vermeiden, sollten Sie das Gerät verantwortungsvoll recyceln, damit die nachhaltige Wiederverwendung von Materialquellen gefördert wird. Um Ihr gebrauchtes Gerät zurückzugeben, nutzen Sie bitte die Rückgabe- und Sammelsysteme oder wenden Sie sich an den Händler, bei dem Sie das Produkt gekauft haben. Sie können dieses Produkt einem umweltgerechten Recycling zuführen.

Du musst über eine Live-Internetverbindung verfügen, damit die Ooni-App funktioniert. Wir empfehlen dir, auf die neueste Version von iOS und Android zu aktualisieren, um die Ooni App zu betreiben.

Ihr Mobilgerät muss die drahtlose Bluetooth®-Technologie 4.0 (Bluetooth® Wireless Technology Low Energy) unterstützen, um eine Verbindung mit dem Gerät herstellen zu können. Prüfen Sie die Kompatibilität Ihres Geräts.

- BLE 2,4 GHz
- 2,4 GHz, 2,5 mW

Die Bluetooth®-Wortmarke und -Logos sind eingetragene Marken im Besitz von Bluetooth SIG, Inc. und jede Verwendung dieser Marken durch Ooni Limited erfolgt unter Lizenz. Andere Marken und Handelsnamen sind Eigentum ihrer jeweiligen Eigentümer.

ESPAÑOL

ADVERTENCIA

Lea las instrucciones antes de usar el Ooni Connect™ Digital Temperature Hub y consérvelas para futuras consultas.

Las sondas de alimentos y otras partes accesibles pueden estar calientes y afiladas. Mantenga alejados a los niños pequeños.

Utilice el Ooni Connect™ Digital Temperature Hub siguiendo siempre las instrucciones de este manual.

Para evitar daños, instale el Ooni Connect™ Digital Temperature Hub y coloque los cables únicamente en las ubicaciones indicadas en este manual.

Las sondas para alimentos son adecuadas para su uso a temperaturas de hasta 480 °F (250 °C). No use el aparato a temperaturas superiores a las indicadas o sobre llamas.

No modifique el Ooni Connect™ Digital Temperature Hub.

PRECAUCIÓN

Lave a mano y seque las sondas de alimentos antes de usarlas por primera vez.

Las sondas de alimentos no son aptas para lavavajillas.

No utilice productos químicos ni detergentes abrasivos para limpiar las sondas de alimentos.

Riesgo de explosión si la batería se reemplaza por un tipo incorrecto.

El Ooni Connect™ Digital Temperature Hub funciona con las sondas de alimentos Ooni. Otros accesorios pueden no ser exactos, no funcionar o causar daños potencialmente.

Ooni Connect™ Digital Temperature Hub

Use el Ooni Connect™ Digital Temperature Hub para medir de forma precisa e inmediata temperatura en grados Celsius (°C) o Fahrenheit (°F). Conecte las sondas para alimentos para obtener un asado perfecto o el sellado idóneo de un bistec y conéctese a la aplicación Ooni para supervisar todo sin tocar el horno.

0. ¿Qué hay en la caja?

- a. Ooni Connect™ Digital Temperature Hub
- b. Soporte de montaje
- c. Tuerca de mariposa (se suministra colocada en el Hub)
- d. Cable de temperatura ambiente
- e. Sonda de alimentos
- f. Pilas AA
- g. Tornillos de soporte

1. Botones y entradas:

- a. Botón de encendido (pulsación larga)
Selector de °C / °F (pulsación corta)
- b. Ciclo de temperatura (pulsación corta)
Activación Bluetooth (pulsación larga)
- c. Botón de retroiluminación
Modo Eco (pulsación larga)
Luz de fondo (pulsación corta)
- d. Entrada de la sonda de alimentos 1
- e. Entrada de sonda de alimentos 2 (opcional)
- f. Entrada de temperatura ambiente A
- g. Botón de restablecimiento de fábrica

2. Pantalla

- a. Indicador de temperatura principal
- b. Anillo de temperatura
- c. Indicador de °C
- d. Indicador de °F
- e. Indicador de temperatura ambiente
- f. Indicador de sonda de alimentos 1
- g. Lectura de la sonda de alimentos 1
- h. Indicador de sonda de alimentos 2 (opcional)
- i. Lectura de la sonda de alimentos 2 (opcional)
- j. Indicador de estado de Bluetooth
- k. Indicador de batería baja
- l. Indicador de modo Eco

3. Instale las baterías

Retire los tornillos con un destornillador y retire la escotilla. Ponga 2 pilas AA. Vuelva a poner la tapa y fije los tornillos.

i Si va a almacenar el horno durante más de un mes, retire las baterías.

4. Instalación y montaje

4.1 | Acoplamiento del Ooni Connect™ Digital Temperature Hub

- a. Use 2 tornillos de soporte para fijar el soporte de montaje en la parte inferior del horno.
- b. Acople el Ooni Connect™ Digital Temperature Hub al soporte con la tuerca de mariposa, se suministra colocada en el Hub.

4.2 | Conexión del cable de temperatura ambiente

- a. Enchufe el cable de temperatura ambiente en la entrada de la parte inferior del horno.
- b. Conecte el extremo opuesto a la entrada correspondiente en la parte posterior del Ooni Connect™ Digital Temperature Hub.

4.3 | Fijación del cable de temperatura del aire ambiente

Sujete el cable a la parte inferior del horno.

5. Funcionamiento del Ooni Connect™ Digital Temperature Hub

5.1 | Descarga la aplicación Ooni



Escanea para descargar la aplicación Ooni

La configuración del Ooni Connect™ Digital Temperature Hub es sencilla y la aplicación Ooni la describe paso a paso. Si ya tienes la aplicación Ooni, asegúrate de actualizarla a la última versión.

5.2 | Encendido/apagado del dispositivo

- a. Encienda el dispositivo pulsando brevemente el botón de encendido.
 - b. Apague el dispositivo con una pulsación prolongada del botón de encendido.
- i** Apague su dispositivo cuando no esté en uso para ahorrar batería. El dispositivo se apagará automáticamente después de 45 minutos.

5.3 | Configuración del ID del horno

Después del primer encendido, deberá configurar la ID del horno para su Ooni Connect™ Digital Temperature Hub. Use el botón de ciclo de temperatura y el botón de luz de fondo para alternar entre los números de identificación del horno hasta que llegue al correcto.

El ID del horno para Ooni Karu 2 Pro es 002.

Confirme esta ID del horno presionando el botón de encendido.

5.4 | Cambiar el ID del horno

Mantenga presionado el botón de ciclo de temperatura y el botón de luz de fondo juntos durante 3 segundos para volver a seleccionar la ID del horno. Simplemente actualice el ID del horno y confirme la selección.

5.5 | Activación del emparejamiento Bluetooth

Asegúrese de que Bluetooth esté habilitado en su dispositivo. Abra la aplicación Ooni y vaya a la pestaña Ooni Connect.

Presione el botón de ciclo de temperatura en su Ooni Connect™ Digital Temperature Hub durante 3 segundos hasta que el indicador de estado de Bluetooth comience a parpadear. Siga las instrucciones de la aplicación Ooni para conectar tu dispositivo.

Una conexión exitosa hará que el indicador de estado de Bluetooth deje de parpadear y permanezca iluminado.

Si el indicador de estado de Bluetooth comienza a parpadear rápidamente, significa que hay un problema con la conexión. Intente reiniciar el proceso de emparejamiento si el problema persiste.

i Si no se establece una conexión, el Bluetooth se apagará después de un corto período de tiempo.

5.6 | Lectura de la sonda de alimentos

Verifique que la sonda de alimentos esté conectada a la entrada correcta y luego la temperatura aparecerá en la pantalla.

Cuando use la sonda para alimentos, retire la tapa y luego asegúrese de que esté insertada en la parte más gruesa de la carne, y asegúrese de evitar los huesos o la grasa.

i La parte de la sonda de alimentos que entra en la carne no debe exponerse a temperaturas superiores a 250 °C (480 °F).

⚠ ADVERTENCIA

Antes y después de usar, limpie la sonda para alimentos con agua caliente y jabón, teniendo cuidado de no sumergir el cable en el agua, y séquelo inmediatamente.

Tenga cuidado al manipular la sonda de alimentos, ya que está afilada.

Siempre use guantes resistentes al calor si manipula la sonda de alimentos cuando esté caliente.

No utilice las sondas de alimentos a temperaturas superiores a 450 °C (842 °F).

5.7 | Cambiar la unidad de medida

Use una breve presión del botón de encendido para alternar entre Celsius (°C) y Fahrenheit (°F).

5.8 | Modo Eco

Mantenga presionado el botón de luz de fondo para alternar entre el brillo completo y el modo Eco. Cuando esté en el modo Eco, una pulsación corta de cualquier botón iluminará completamente la pantalla durante un breve período de tiempo.

5.9 | Aviso de batería baja

Cuando las baterías se estén agotando, aparecerá la advertencia de batería baja que indica que debe cambiar las baterías en la próxima oportunidad disponible.

⚠ ADVERTENCIA

Asegúrese siempre de que el horno y el concentrador de temperatura estén completamente fríos antes de reemplazar las baterías.

5.10 | Temperatura alta (Hi) o baja (Lo)

El concentrador de temperatura digital Ooni Connect™ está diseñado para leer temperaturas de cocción entre -30 °C (-22 °F) y 550 °C (999 °F) y temperaturas de sonda de alimentos entre 0 °C (32 °F) y 100 °C (212 °F).

i Si las temperaturas están fuera de este rango, en la pantalla correspondiente se mostrará Hi o Lo.

6. Cuidado y mantenimiento

Ooni Connect™ Digital Temperature Hub: Limpie con un paño húmedo y seque inmediatamente.

Sondas para alimentos: antes y después de cada uso, lávelas con agua caliente y jabón, con cuidado de no sumergir el cable en el agua. Séquelas inmediatamente. No se puede lavar en el lavavajillas.

Guarde el Ooni Connect™ Digital Temperature Hub si no lo va a usar durante cierto tiempo. Saque las pilas para prolongar su vida útil y evitar daños.

⚠ No sumerja nunca en agua el Ooni Connect™ Digital Temperature Hub, la sonda de alimentos ni los cables.

Solución de problemas

Problema	Causa posible	Solución
El Ooni Connect™ Digital Temperature Hub no se conecta a mi dispositivo.	<ol style="list-style-type: none"> 1. Su dispositivo no fue una de las conexiones más recientes. 2. El dispositivo está demasiado lejos. 3. Motivo desconocido. 	<ol style="list-style-type: none"> 1. Siga los pasos de emparejamiento de Bluetooth (5.5) para volver a conectar su dispositivo. 2. Asegúrese de estar a menos de 10 m (33 pies) del dispositivo con una línea de visión clara. 3. Intente usar el botón de restablecimiento de fábrica para eliminar todas las conexiones Bluetooth existentes y luego siga los pasos para comenzar de nuevo.
La temperatura ambiente / la temperatura de la sonda de alimentos no se muestra en la pantalla	<ol style="list-style-type: none"> 1. La conexión podría estar sucia. 2. El cable de temperatura ambiente no está enchufado al horno. 3. Es posible que las sondas / sensor estén conectadas a la entrada incorrecta. 4. La sonda puede estar dañada. 	<ol style="list-style-type: none"> 1. Extraiga la sonda/sensor del Ooni Connect™ Digital Temperature Hub y del horno. Limpie suavemente con un paño húmedo. Deje que se seque por completo y vuelva a insertarla en el dispositivo. 2. Verifique que el cable de temperatura ambiente esté enchufado en el puerto correcto del horno. Incluso si lo está, pruebe extrayéndolo y volviéndolo a insertar. 3. Compruebe que tiene el sensor ambiental y la sonda de alimentos correctos conectados a la entrada correcta. 4. Pruebe poniendo la sonda en la otra entrada. Si funciona, el problema puede ser del dispositivo; si no funciona, puede ser de la sonda. Póngase en contacto con el soporte de Ooni.
Las lecturas del sensor de temperatura ambiente no son precisas.	<ol style="list-style-type: none"> 1. Es posible que las sondas estén conectadas a una entrada incorrecta. 2. El sensor del horno podría estar sucio. 3. Se han cambiado los ajustes de calibración del dispositivo. 4. Se ha seleccionado el ID de horno incorrecto. 	<ol style="list-style-type: none"> 1. Compruebe que tiene el sensor ambiental correcto conectado a la entrada correcta. 2. Asegúrese de que el horno esté completamente frío, meta la mano con cuidado en el interior y limpie suavemente el sensor de temperatura con un paño húmedo. 3. Descarga la aplicación Ooni y conecte el dispositivo. Esto actualizará su Digital Temperature Hub. Si los problemas persisten, use el botón de restablecimiento de fábrica para devolver el dispositivo a su calibración original. 4. Siga los pasos anteriores para cambiar la ID del horno o usar el restablecimiento de fábrica.
La pantalla es tenue o no se enciende en absoluto.	<ol style="list-style-type: none"> 1. La batería está casi o ya está descargada. 2. El Ooni Connect™ Digital Temperature Hub está en modo Eco. 	<ol style="list-style-type: none"> 1. Asegúrese de que el horno se ha enfriado por completo y siga los pasos descritos en este manual para cambiar las pilas. 2. Una pulsación prolongada del botón de luz de fondo devolverá el producto a su brillo completo.
La lectura de la temperatura ambiente es alta, pero mi comida no se está cocinando correctamente.	Es posible que la piedra no esté lo suficientemente caliente. La piedra tardará más en precalentarse que la temperatura ambiente del horno.	Dale más tiempo a la piedra para que se precaliente. Utilice un termómetro infrarrojo digital Ooni para obtener una lectura precisa de la temperatura de la piedra.
Mi Ooni Connect™ Digital El Temperature Hub no funciona.	Es posible que haya un problema con el software asociado con el dispositivo.	Retire las baterías y vuelva a instalarlas.
Tengo un problema que no aparece aquí.	¡Has descubierto un nuevo problema!	Póngase en contacto con support.ooni.com



Esta marca indica que este producto no debe desecharse con otros residuos domésticos en toda la UE y el Reino Unido. Para prevenir posibles daños al medio ambiente o a la salud humana por la eliminación incontrolada de residuos, recíclelos de manera responsable para promover la reutilización sostenible de las fuentes materiales. Para devolver su dispositivo usado, utilice los sistemas de devolución y recogida o póngase en contacto con el minorista donde compró este producto. El vendedor puede llevar el producto a reciclar de forma segura para el medio ambiente.

Para que la aplicación Ooni funcione debe tener una conexión a Internet activa.

Le recomendamos que actualice a la última versión de iOS y Android para operar la aplicación Ooni.

Su dispositivo móvil debe ser compatible con la tecnología inalámbrica Bluetooth 4.0 (tecnología inalámbrica Bluetooth® Low Energy) para establecer una conexión con el aparato. Consulte las especificaciones del dispositivo para saber si es compatible.

- BLE 2,4 GHz
- 2,4 GHz, 2,5 mW

La marca denominativa y los logotipos de Bluetooth® son marcas comerciales registradas propiedad de Bluetooth SIG, Inc. y cualquier uso de dichas marcas por parte de Ooni Limited se realiza bajo licencia. Las demás marcas y nombres comerciales pertenecen a sus respectivos propietarios.

AVERTISSEMENT

Lisez les instructions avant d'utiliser le concentrateur de température numérique Ooni Connect™ et conservez-les pour référence future.

Les sondes alimentaires et autres pièces accessibles peuvent être chaudes et tranchantes. Éloignez les jeunes enfants.

Utilisez le hub de Température numérique Ooni Connect™ uniquement comme indiqué dans ce manuel.

Pour éviter tout dommage, suivez rigoureusement le présent manuel pour monter le Hub de Température Numérique Ooni Connect™ et faire passer le(s) câble(s) aux endroits indiqués.

Les sondes alimentaires peuvent être utilisées à des températures allant jusqu'à 480 °F (250 °C). Ne pas l'utiliser à des températures supérieures à celle-ci ou à proximité de flammes nues.

Ne modifiez pas le concentrateur de température numérique Ooni Connect™.

ATTENTION

Lavez et séchez les sondes alimentaires à la main avant la première utilisation.

Les sondes alimentaires ne vont pas au lave-vaisselle.

N'utilisez pas de produits chimiques ou de détergents abrasifs pour nettoyer les sondes alimentaires.

Risque d'explosion si la batterie est remplacée par un type incorrect.

Le hub de température numérique Ooni Connect™ fonctionne avec les sondes alimentaires Ooni ; d'autres accessoires peuvent être imprécis, ne pas fonctionner ou causer des dommages.

Hub de température numérique Ooni Connect™

Utilisez le hub de température numérique Ooni Connect™ pour des mesures de température précises et immédiates en degrés Celsius (°C) ou Fahrenheit (°F). Connectez la(es) sondes alimentaires pour faire rôtir à feu doux ou obtenir un steak saisi parfait, et connectez-vous à l'application Ooni pour surveiller la cuisson sans manipuler le four.

0. Contenu de la boîte

- a. Hub de température numérique Ooni Connect™
- b. Support de montage
- c. Écrou à oreilles (livré fixé au Hub)
- d. Câble de température ambiante
- e. Sonde alimentaire
- f. Piles AA
- g. Vis de fixation

1. Boutons et entrées :

- a. Bouton d'alimentation (appui long)
Sélecteur °C / °F (appui court)
- b. Cycle de température (appui court)
Activation Bluetooth (appui long)
- c. Bouton de rétroéclairage
Mode éco (appui long)
Rétroéclairage (appui court)
- d. Entrée de la sonde alimentaire 1
- e. Entrée de la sonde alimentaire 2 (en option)
- f. Entrée de température ambiante A
- g. Bouton de réinitialisation d'usine

2. Écran

- a. Affichage principal de la température
- b. Anneau de température
- c. Indicateur de °C
- d. Indicateur de °F
- e. Indicateur de température ambiante
- f. Indicateur de la sonde alimentaire 1
- g. Affichage de la sonde alimentaire 1
- h. Indicateur de la sonde alimentaire 2 (en option)
- i. Affichage de la sonde alimentaire 2 (en option)
- j. Indicateur d'état Bluetooth
- k. Indicateur de batterie faible
- l. Indicateur de mode Eco

3. Insérer les batteries

Retirez les vis à l'aide d'un tournevis et retirez la trappe. Insérez 2 piles AA. Remplacez le couvercle et fixez les vis.

 Si vous stockez le four pendant plus d'un mois, retirez les piles.

4. Mise en place et montage

4.1 | Fixation du Hub de température numérique Ooni Connect™

- a. À l'aide de 2 vis de fixation, fixez le support de fixation sous le four.
- b. Fixez le Hub de Température Numérique Ooni Connect™ au support à l'aide de l'écrou à oreilles (livré fixé au hub).

4.2 | Fixation du câble de température ambiante

- a. Branchez le câble de température ambiante dans l'entrée située sous le four.
- b. Branchez l'extrémité opposée dans l'entrée correspondante à l'arrière du concentrateur de température numérique Ooni Connect™.

4.3 | Fixation du câble de température de l'air ambiant

Attachez le câble sous le four.

5. Utilisation du concentrateur de température numérique Ooni Connect™

5.1 | Télécharger l'application Ooni



Scannez pour télécharger l'application Ooni

La configuration de votre Hub de Température Numérique Ooni Connect™ est simple, et l'application Ooni vous guide pas à pas. Si vous avez déjà l'application Ooni, assurez-vous de mettre à jour vers la dernière version.

5.2 | Mise sous tension/hors tension de l'appareil

- a. Allumez l'appareil en appuyant brièvement sur le bouton d'alimentation.
- b. Éteignez l'appareil en appuyant longuement sur le bouton d'alimentation.
 - i** Éteignez votre appareil lorsqu'il n'est pas utilisé pour économiser la batterie. L'appareil s'éteindra automatiquement au bout de 45 minutes.

5.3 | Réglage de l'ID du four

Après la première mise sous tension, vous devrez définir l'ID du four pour votre concentrateur de température numérique Ooni Connect™. Appuyez sur le bouton Cycle de température et le bouton de Rétroéclairage pour parcourir les numéros d'identification du four jusqu'à atteindre le numéro adéquat.

L'ID du four pour Ooni Karu 2 Pro est 002.

Confirmez cet ID du four en appuyant sur le bouton d'alimentation.

5.4 | Modification de l'ID du four

Appuyez simultanément sur le bouton de cycle de température et le bouton de rétroéclairage et maintenez-les enfoncés pendant 3 secondes pour sélectionner à nouveau l'ID du four. Il suffit de mettre à jour l'ID du four et de confirmer la sélection.

5.5 | Activation de l'appairage Bluetooth

Assurez-vous que le Bluetooth est activé sur votre appareil. Ouvrez l'application Ooni et accédez à l'onglet Ooni Connect.

Appuyez sur le bouton de cycle de température de votre concentrateur de température numérique Ooni Connect™ pendant 3 secondes jusqu'à ce que l'indicateur d'état Bluetooth commence à clignoter. Suivez les instructions de l'application Ooni pour connecter votre appareil.

Une fois la connexion réussie, l'indicateur d'état Bluetooth cessera de clignoter mais reste allumé.

Si l'indicateur d'état Bluetooth commence à clignoter rapidement, cela signifie qu'il y a un problème de connexion. Essayez de redémarrer le processus d'appairage si le problème persiste.

i Si une connexion n'est pas établie, le Bluetooth s'éteindra après une courte période de temps.

5.6 | Lecture de la sonde alimentaire

Vérifiez que la sonde alimentaire est branchée à la bonne entrée. La température apparaît ensuite à l'écran.

Lorsque vous utilisez la sonde alimentaire, retirez le capuchon puis assurez-vous qu'il est inséré dans la partie la plus épaisse de la viande, et assurez-vous d'éviter les os ou la graisse.

i La partie de la sonde alimentaire qui pénètre dans la viande ne doit pas être exposée à des températures supérieures à 250 °C (480 °F).

▲ AVERTISSEMENT

Avant et après utilisation, lavez la sonde alimentaire avec de l'eau chaude savonneuse en veillant à ne pas immerger le fil dans l'eau puis séchez-la immédiatement.

Faites attention lorsque vous manipulez la sonde alimentaire car elle est tranchante.

Portez toujours des gants résistants à la chaleur si vous manipulez la sonde alimentaire lorsqu'elle est chaude.

N'utilisez pas les sondes alimentaires à des températures supérieures à 450 °C (842 °F).

5.7 | Changer l'unité de mesure

Appuyez brièvement et une fois sur le bouton d'alimentation pour passer de Celsius (°C) à Fahrenheit (°F).

5.8 | Mode Eco

Appuyez longuement sur le bouton de rétroéclairage pour basculer entre la luminosité maximale et le mode Eco. En mode Eco, une courte pression sur n'importe quel bouton allumera complètement l'écran pendant une courte période de temps.

5.9 | Avertissement de batterie faible

Lorsque les batteries sont épuisées, l'avertissement de batterie faible s'allume pour indiquer qu'il faut remplacer les batteries le plus tôt possible.

AVERTISSEMENT

Assurez-vous toujours que le four et le hub de température sont complètement froids avant de remplacer les batteries.

5.10 | Température Haute (Hi) ou Basse (Lo)

Le concentrateur de température numérique Ooni Connect™ est conçu pour lire les températures de cuisson entre -30 °C (-22 °F) et 550 °C (999 °F) et les températures des sondes alimentaires entre 0 °C (32 °F) et 100 °C (212 °F).


 Si les températures sont en dehors de cette plage, l'écran correspondant affichera Hi ou Lo.

6. Entretien et maintenance

Concentrateur de température numérique Ooni Connect™ : Essuyez avec un chiffon humide et séchez immédiatement.

Sondes alimentaires : Avant et après chaque utilisation, nettoyez à l'eau chaude savonneuse en prenant soin de ne pas immerger le fil dans l'eau et séchez-le immédiatement. Ne va pas au lave-vaisselle.

Rangez votre Hub de Température Numérique Ooni Connect™ à l'intérieur lorsqu'il est inutilisé pendant de longues périodes ; retirez la batterie pour prolonger la durée de vie de la batterie et éviter de l'endommager.

 Ne plongez jamais le Hub de Température Numérique Ooni Connect™, la sonde alimentaire ou les câbles dans l'eau.

Dépannage

Problème	Possible Cause	Solution
Mon hub de température numérique Ooni Connect™ ne se connecte pas à mon appareil.	<ol style="list-style-type: none"> 1. Votre appareil ne faisait pas partie des dernières connexions. 2. Trop loin pour l'appareil. 3. Raison inconnue. 	<ol style="list-style-type: none"> 1. Suivez les étapes d'appairage Bluetooth (5.5) pour reconnecter votre appareil. 2. Assurez-vous que vous êtes à moins de 10 m (33 pieds) de l'appareil avec une ligne de vue dégagée. 3. Essayez d'utiliser le bouton de réinitialisation d'usine pour supprimer toutes les connexions Bluetooth existantes, puis suivez les étapes pour recommencer.
La température ambiante / la température de la sonde alimentaire ne s'affiche pas à l'écran	<ol style="list-style-type: none"> 1. La connexion pourrait être encrassée. 2. Le câble de température ambiante n'est pas branché sur le four. 3. Les sondes / capteurs sont peut-être connectés à la mauvaise entrée. 4. La sonde peut être endommagée. 	<ol style="list-style-type: none"> 1. Retirez la sonde/le capteur du Hub de Température Numérique Ooni Connect™ et du four. Nettoyez délicatement avec un chiffon humide. Laissez sécher complètement avant de réinsérer dans l'appareil. 2. Vérifiez que le câble de température ambiante est branché sur le bon port du four. Retirez-le puis rebranchez-le même s'il est correctement branché. 3. Vérifiez que le capteur ambiant et la sonde alimentaire sont branchés sur la bonne entrée. 4. Essayez de brancher la sonde sur l'autre entrée, si elle fonctionne, il peut y avoir un problème avec l'appareil, si ce n'est pas le cas, il peut y avoir un problème avec la sonde. Contactez l'assistance Ooni.
Les lectures du capteur de température ambiante ne sont pas précises.	<ol style="list-style-type: none"> 1. Les sondes sont peut-être connectées à la mauvaise entrée. 2. Le capteur dans le four est peut-être sale. 3. Les paramètres d'étalonnage de l'appareil ont été modifiés. 4. Le mauvais ID de four a été sélectionné. 	<ol style="list-style-type: none"> 1. Vérifiez que le bon capteur ambiant est branché sur la bonne entrée. 2. Pour vous assurer que le four est complètement froid, mettez la main à l'intérieur en faisant attention puis nettoyez délicatement le capteur de température avec un chiffon humide. 3. Téléchargez l'application Ooni et connectez-vous à votre appareil. Cela mettra à jour votre hub de température numérique. Si les problèmes persistent, utilisez le bouton de réinitialisation d'usine pour remettre l'appareil à son étalonnage d'origine. 4. Suivez les étapes ci-dessus pour modifier l'ID du four ou utiliser la réinitialisation d'usine.
L'écran a une faible luminosité ou ne s'allume pas du tout.	<ol style="list-style-type: none"> 1. La batterie est presque ou est déjà à plat. 2. Le hub de température numérique Ooni Connect™ est en mode Eco. 	<ol style="list-style-type: none"> 1. Assurez-vous que le four est complètement froid, suivez les étapes décrites dans ce manuel pour remplacer les piles. 2. Une longue pression sur le bouton de rétroéclairage ramènera le produit à sa pleine luminosité.
La lecture de la température ambiante est élevée, mais mes aliments ne cuisent pas correctement.	La pierre n'est peut-être pas assez chaude. La pierre mettra plus de temps à préchauffer que la température ambiante du four.	Donnez à votre pierre plus de temps pour préchauffer. Utilisez un thermomètre infrarouge numérique Ooni pour obtenir une lecture précise de la température de la pierre.
Mon Hub de Température Numérique Ooni Connect™ ne répond pas.	Il se peut qu'il y ait un problème avec le logiciel associé à l'appareil.	Retirez les piles et réinstallez-les.
J'ai un problème qui n'est pas répertorié ici.	Vous avez découvert un nouveau problème !	Contactez support.ooni.com



Ce marquage indique que ce produit ne doit pas être jeté avec d'autres déchets ménagers dans l'UE et au Royaume-Uni. Pour éviter d'éventuels dommages à l'environnement ou à la santé humaine dus à l'élimination incontrôlée des déchets, recyclez-les de manière responsable afin de promouvoir la réutilisation durable des sources de matériaux.

Pour retourner votre appareil usagé, veuillez utiliser les systèmes de retour et de collecte ou contacter le détaillant où ce produit a été acheté. Ils peuvent confier ce produit pour assurer un recyclage respectueux de l'environnement.

Vous devez disposer d'une connexion Internet active pour que l'application Ooni fonctionne.

Nous vous recommandons d'effectuer une mise à jour vers la dernière version d'iOS et d'Android pour utiliser l'application Ooni.

Votre appareil mobile doit prendre en charge la technologie sans fil Bluetooth 4.0 (technologie sans fil Bluetooth® Low Energy) afin d'établir une connexion avec l'appareil. Consultez les caractéristiques de votre appareil pour vérifier la compatibilité.

- BLE 2,4 GHz
- 2,4 GHz, 2,5 mW

La marque et les logos Bluetooth® sont des marques déposées appartenant à Bluetooth SIG, Inc. et toute utilisation de ces marques par Ooni Limited est sous licence. Les autres marques et noms commerciaux sont ceux de leurs propriétaires respectifs.

⚠ AVERTISSEMENT

Lisez les instructions avant d'utiliser le hub de température numérique Ooni Connect™ et conservez-les pour référence future.

Les sondes alimentaires et autres pièces accessibles peuvent être chaudes et pointues. Éloignez les jeunes enfants.

Utilisez uniquement le hub de température numérique Ooni Connect™, comme indiqué dans ce manuel.

Pour éviter les dommages, montez uniquement le hub de température numérique Ooni Connect™ et acheminez le(s) câble(s) vers le(s) emplacement(s) indiqué(s) dans ce manuel.

Les sondes alimentaires sont adaptées pour une utilisation à des températures allant jusqu'à 480 °F (250 °C). Ne pas utiliser à des températures supérieures à celle-ci ou sur des flammes nues.

Ne modifiez pas le hub de température numérique Ooni Connect™.

⚠ MISE EN GARDE

Lavez à la main et séchez les sondes alimentaires avant la première utilisation.

Les sondes alimentaires ne vont pas au lave-vaisselle.

N'utilisez pas de produits chimiques ou de détergents abrasifs pour nettoyer les sondes alimentaires.

Risque d'explosion si la batterie est remplacée par un type incorrect.

Le hub de température numérique Ooni Connect™ fonctionne avec les sondes alimentaires Ooni; d'autres accessoires peuvent être inexacts, ne pas fonctionner ou potentiellement causer des dommages.

Ooni Connect™ Digital Temperature Hub

Utilisez le hub de température numérique Ooni Connect™ pour des mesures de température précises et immédiates en degrés Celsius (°C) ou Fahrenheit (°F). Branchez la ou les sondes alimentaires pour obtenir un rôti parfait à cuisson lente ou un steak parfaitement saisi, et connectez-vous à l'application Ooni pour surveiller le tout sans qu'il soit nécessaire de toucher au four.

0. Ce qu'il y a dans la boîte

- a. Hub de température numérique Ooni Connect™
- b. Support de montage
- c. Écrou à ailettes (fourni et fixé au hub)
- d. Câble à température ambiante
- e. Sonde alimentaire
- f. Piles AA
- g. Vis de fixation

1. Boutons et entrées :

- a. Bouton d'alimentation (pression longue)
Sélecteur °C/°F (pression courte)
- b. Cycle de température (pression courte)
Activation Bluetooth (pression longue)
- c. Bouton de rétro-éclairage
Mode éco (pression longue)
Rétro-éclairage (pression courte)
- d. Entrée de la sonde alimentaire 1
- e. Entrée de la sonde alimentaire 2 (facultatif)
- f. Entrée de la température ambiante A
- g. Bouton de réinitialisation d'usine

2. Écran

- a. Affichage de la température principale
- b. Anneau de température
- c. Indicateur de °C
- d. Indicateur de °F
- e. Indicateur de température ambiante
- f. Indicateur de la sonde alimentaire 1
- g. Affichage de la sonde alimentaire 1
- h. Indicateur de la sonde alimentaire 2 (facultatif)
- i. Affichage de la sonde alimentaire 2 (facultatif)
- j. Indicateur d'état Bluetooth
- k. Indicateur de batterie faible
- l. Indicateur de mode éco

3. Installation des piles

Retirez les vis à l'aide d'un tournevis et retirez la trappe. Insérez 2 piles AA. Remettez la trappe en place et vissez les vis.

i Si vous entreposez le four pendant plus d'un mois, retirez les piles.

4. Configuration et assemblage

4.1 | Fixation du hub de température numérique Ooni Connect™

- a. À l'aide de 2 vis de fixation, fixez le support de montage sur la face inférieure du four.
- b. Fixez le hub de température numérique Ooni Connect™ au support à l'aide de l'écrou à ailettes (fournie et fixée au hub).

4.2 | Fixation du câble à température ambiante

- a. Branchez le câble à température ambiante dans l'entrée sur la face inférieure du four.
- b. Branchez l'extrémité opposée dans l'entrée correspondante à l'arrière du hub de température numérique Ooni Connect™.

4.3 | Fixation du câble de température de l'air ambiant

Fixez le câble sur la face inférieure du four.

5. Utilisation du hub de température numérique Ooni Connect™

5.1 | Téléchargement de l'application Ooni



Scannez le code pour télécharger l'application Ooni

La configuration du hub de température numérique Ooni Connect™ est simple, et l'application Ooni vous expliquera chacune des étapes. Si vous disposez déjà de l'application Ooni, assurez-vous de mettre à jour vers la dernière version.

5.2 | Mise sous/hors tension de l'appareil

- a. Allumez l'appareil en appuyant brièvement sur le bouton d'alimentation.
 - b. Éteignez l'appareil en appuyant longuement sur le bouton d'alimentation.
- i** Éteignez votre appareil lorsqu'il n'est pas utilisé pour économiser la batterie. L'appareil s'éteint automatiquement après 45 minutes.

5.3 | Définition de l'ID du four

Après la première mise sous tension, vous devrez définir l'ID du four pour votre hub de température numérique Ooni Connect™. Utilisez les boutons du cycle de température et de rétroéclairage pour faire défiler les numéros d'ID du four jusqu'à ce que vous atteigniez le bon numéro.

L'ID de four pour Ooni Karu 2 Pro est 002.

Confirmez cet ID de four en appuyant sur le bouton d'alimentation.

5.4 | Modification de l'ID du four

Appuyez et maintenez les boutons de cycle de température et de rétroéclairage ensemble pendant 3 secondes pour sélectionner à nouveau l'ID du four. Il suffit de mettre à jour l'ID du four et de confirmer la sélection.

5.5 | Activation de l'appariement Bluetooth

Assurez-vous que le Bluetooth est activé sur votre appareil. Ouvrez l'application Ooni et accédez à l'onglet Ooni Connect.

Appuyez sur le bouton de cycle de température de votre hub de température numérique Ooni Connect™ pendant 3 secondes jusqu'à ce que l'indicateur d'état Bluetooth commence à clignoter. Suivez les instructions de l'application Ooni pour connecter votre appareil.

Si la connexion est réussie, l'indicateur d'état Bluetooth cessera de clignoter et restera allumé.

Si l'indicateur d'état Bluetooth commence à clignoter rapidement, cela signifie qu'il y a un problème avec la connexion. Essayez de redémarrer le processus d'appariement si le problème persiste.

i Si la connexion n'est pas établie, le Bluetooth s'éteindra après un court moment.

5.6 | Lecture de la sonde alimentaire

Vérifiez que la sonde alimentaire est branchée sur l'entrée correcte, puis la température apparaîtra sur l'écran.

Lorsque vous utilisez la sonde alimentaire, retirez le capuchon, puis assurez-vous qu'elle est insérée dans la partie la plus épaisse de la viande en évitant les os ou la graisse.

i La partie de la sonde alimentaire qui entre dans la viande ne doit pas être exposée à des températures supérieures à 250 °C (480 °F).

▲ AVERTISSEMENT

Avant et après utilisation, nettoyez la sonde alimentaire avec de l'eau chaude savonneuse en prenant soin de ne pas immerger le fil dans l'eau, et séchez-la immédiatement.

Faites attention lorsque vous manipulez la sonde alimentaire car elle est tranchante.

Portez toujours des gants résistants à la chaleur si vous manipulez la sonde alimentaire lorsqu'elle est chaude.

N'utilisez pas les sondes alimentaires à des températures supérieures à 450 °C (842 °F).

5.7 | Modification de l'unité de mesure

Une pression courte sur le bouton d'alimentation permet de passer des degrés Celsius (°C) aux degrés Fahrenheit (°F).

5.8 | Mode éco

Une pression prolongée sur le bouton de rétroéclairage permet de passer de la pleine luminosité au mode éco. En mode éco, une courte pression sur n'importe quel bouton éclairera complètement l'écran pendant une courte période de temps.

5.9 | Avertissement de batterie faible

Lorsque les piles sont faibles, le témoin de piles faibles s'allume, indiquant que vous devez changer les piles à la prochaine occasion.

⚠ AVERTISSEMENT

Assurez-vous toujours que le four et le hub de température sont complètement refroidis avant de remplacer les piles.

5.10 | Température élevée (Hi) ou basse (Lo)

Le hub de température numérique Ooni Connect™ est conçu pour lire les températures de cuisson entre -30 ° C (-22 ° F) et 550 ° C (999 ° F) et les températures de la sonde alimentaire entre 0 ° C (32 ° F) et 100 ° C (212 ° F).

i Si les températures sont en dehors de cette plage, l'affichage pertinent affichera Hi ou Lo.

6. Soins et entretien

Ooni Connect™ Digital Temperature Hub : Essuyez avec un chiffon humide et séchez immédiatement.

Sondes alimentaires : Avant et après chaque utilisation, nettoyez avec de l'eau chaude savonneuse en prenant soin de ne pas immerger le fil dans l'eau, et séchez immédiatement. Ne pas mettre au lave-vaisselle.

Stockez votre hub de température numérique Ooni Connect™ à l'intérieur et pendant de longues périodes sans utilisation; retirez la batterie pour prolonger la durée de vie de la batterie et prévenir les dommages.

⚠ N'immergez jamais le hub de température numérique Ooni Connect™, la sonde alimentaire ou le câblage dans l'eau.

Dépannage

Problème	Possible Cause	Solution
Mon hub de température numérique Ooni Connect™ ne se connecte pas à mon appareil.	<ol style="list-style-type: none"> 1. Votre appareil n'était pas l'une des connexions les plus récentes. 2. Trop loin pour l'appareil. 3. Raison inconnue. 	<ol style="list-style-type: none"> 1. Suivez les étapes d'appariement Bluetooth (5.5) pour reconnecter votre appareil. 2. Assurez-vous que vous êtes à moins de 10m (33ft) de l'appareil avec une ligne de visée claire. 3. Essayez le bouton de réinitialisation d'usine pour supprimer toutes les connexions Bluetooth existantes, puis suivez les étapes pour recommencer.
La température ambiante / la température de la sonde alimentaire ne s'affiche pas sur l'écran	<ol style="list-style-type: none"> 1. Les bornes de connexion pourraient être sales. 2. Le câble à température ambiante n'est pas branché sur le four. 3. Les sondes / capteur peuvent être connectés à la mauvaise entrée. 4. La sonde peut être endommagée. 	<ol style="list-style-type: none"> 1. Retirez la sonde/capteur du hub de température numérique Ooni Connect™ et du four. Nettoyez doucement avec un chiffon humide. Laissez sécher complètement et réinsérez dans l'appareil. 2. Vérifiez que le câble à température ambiante est branché sur le port correct du four. Même si c'est le cas, essayez de le retirer et de le réinstaller. 3. Vérifiez que vous avez le capteur ambiant et la sonde alimentaire corrects branchés sur la bonne entrée. 4. Essayez de brancher la sonde dans l'autre entrée, si cela fonctionne, il peut y avoir un problème avec l'appareil, si ce n'est pas le cas, il peut y avoir un problème avec la sonde. Contactez l'assistance Ooni.
Les lectures des capteurs de température ambiante ne sont pas précises.	<ol style="list-style-type: none"> 1. Les sondes peuvent être connectées à la mauvaise entrée. 2. Le capteur dans le four pourrait être sale. 3. Les paramètres d'étalonnage de l'appareil ont été modifiés. 4. Le mauvais ID de four a été sélectionné. 	<ol style="list-style-type: none"> 1. Vérifiez que vous avez le bon capteur ambiant branché sur la bonne entrée. 2. Assurez-vous que le four est complètement refroidi; avec précaution, nettoyez doucement le capteur de température avec un chiffon humide. 3. Téléchargez l'application Ooni et connectez-vous à votre appareil. Cela mettra à jour votre hub de température numérique. Si les problèmes persistent, utilisez le bouton de réinitialisation d'usine pour ramener l'appareil à son étalonnage d'origine. 4. Suivez les étapes ci-dessus pour modifier l'ID du four ou utiliser la réinitialisation d'usine.
L'affichage est faible ou ne s'allume pas du tout.	<ol style="list-style-type: none"> 1. La pile est presque ou déjà déchargée. 2. Le hub de température numérique Ooni Connect™ est en mode Eco. 	<ol style="list-style-type: none"> 1. Assurez-vous que le four est complètement refroidi, et suivez les étapes décrites dans ce manuel pour remplacer les piles. 2. Une pression prolongée sur le bouton de rétro-éclairage permettra de revenir à la pleine luminosité.
La lecture de la température ambiante est élevée, mais ma nourriture ne cuit pas correctement.	La pierre n'est peut-être pas assez chaude. La pierre prendra plus de temps à préchauffer que la température ambiante du four.	Donnez à votre pierre plus de temps pour préchauffer. Utilisez un thermomètre infrarouge numérique Ooni pour obtenir une lecture précise de la température de la pierre.
Mon hub de température numérique Ooni Connect™ ne répond pas.	Il peut y avoir un problème avec le logiciel associé à l'appareil.	Retirez les piles et réinstallez-les.
J'ai un problème qui n'est pas répertorié ici.	Vous avez découvert un nouveau problème!	Écrivez à l'adresse support.ooni.com



Ce marquage indique que ce produit ne doit pas être éliminé avec d'autres déchets ménagers dans l'UE et au Royaume-Uni. Pour prévenir les dommages possibles à l'environnement ou à la santé humaine causés par l'élimination non réglementée des déchets, il convient de les recycler de manière responsable pour promouvoir la réutilisation durable des sources de matériaux. Pour retourner votre appareil usagé, veuillez utiliser les systèmes de retour et de collecte ou contacter le détaillant où ce produit a été acheté. Ils peuvent procéder au recyclage du produit d'une manière respectueuse de l'environnement.


Vous devez disposer d'une connexion Internet active pour que l'application Ooni puisse fonctionner.

Nous vous recommandons de mettre à jour vers la dernière version d'iOS et d'Android pour utiliser l'application Ooni.

Votre appareil mobile doit prendre en charge la technologie sans fil Bluetooth 4.0 (technologie sans fil Bluetooth® à basse consommation) afin de configurer une connexion avec l'appareil. Vérifiez les spécifications de votre appareil pour connaître la compatibilité.

- BLE 2,4 GHz
- 2,4 GHz, 2,5 mW

La marque et les logos Bluetooth® sont des marques déposées appartenant à Bluetooth SIG, Inc. et toute utilisation de ces marques par Ooni Limited se fait sous licence. Les autres marques de commerce et noms commerciaux sont ceux de leurs propriétaires respectifs.


אזהרה 

יש לקרוא את ההוראות לפני השימוש במד הטמפרטורה הדיגיטלי Ooni Connect™ ולהקפיד לשמור אותן לעיון עתידי.

חיישני מזון וחלקים נגישים אחרים עשויים להיות חמים וחדים. יש להרחיק מהישג ידם של ילדים קטנים.

יש להשתמש במד הטמפרטורה הדיגיטלי Ooni Connect™ רק בהתאם להוראות במדריך זה. כדי למנוע נזק, יש להתקין את מד הטמפרטורה הדיגיטלי Ooni Connect™ ולנתב את הכבלים לנקודות המפורטות במדריך זה.

חיישני מזון מתאימים לשימוש בטמפרטורות של עד 250°C. אין להשתמש במד הטמפרטורה הדיגיטלי בטמפרטורות שחורגות מהטמפרטורה המרבית המותרת או בעת שימוש באש גלויה. אין לשנות את מד הטמפרטורה הדיגיטלי Ooni Connect™.

זהירות 

יש לשטוף באופן ידני ולייבש את חיישני המזון לפני השימוש הראשון.

אין לשטוף את חיישני המזון במדיח כלים.

אין להשתמש בחומרים כימיים או בחומרי ניקוי שוחקים כדי לנקות את חיישני המזון.

החלפת הסוללה בסוללה מסוג שגוי עלולה לגרום להתפוצצות.

מד הטמפרטורה הדיגיטלי Ooni Connect™ עובד בשילוב עם חיישני המזון של Ooni; אביזרים אחרים עשויים להיות לא מדויקים, לא לפעול או לגרום נזק.

מד טמפרטורה דיגיטלי Ooni Connect™

יש להשתמש במד הטמפרטורה הדיגיטלי Ooni Connect™ למדידות טמפרטורה מדויקות ומיידיות במעלות צלזיוס (C°) או במעלות פרנהייט (F°). יש לחבר את חיישני המזון לצורכי צלייה איטית או צריבה מושלמת של סטייק ולהתחבר לאפליקציה של Ooni כדי לפקח על כל התהליך מבלי לגעת בתנור.

4.3 | אבטחת כבל טמפרטורת האוויר הסביבתי

יש להדק את הכבל לדופן התחתון של התנור.

5. שימוש במד הטמפרטורה הדיגיטלי Ooni Connect™

5.1 | הורדת האפליקציה של Ooni

יש לסרוק כדי להוריד את האפליקציה של Ooni


התקנת מד הטמפרטורה הדיגיטלי Ooni Connect™ קלה ופשוטה – האפליקציה של Ooni כוללת הסברים מפורטים. אם האפליקציה של Ooni כבר מותקנת, יש להקפיד לבצע עדכון לגרסה האחרונה.



5.2 | הפעלה/כיבוי של המכשיר

א. יש להפעיל את המכשיר באמצעות לחיצה קצרה על מתג ההפעלה.

ב. יש לכבות את המכשיר באמצעות לחיצה ארוכה על מתג ההפעלה.

יש לכבות את המכשיר כשאינו בשימוש כדי להפחית את צריכת הסוללה.  מכשיר כבה אופן וטומטי אחר 45 קות.

5.3 | הגדרת מזהה התנור

לאחר ההפעלה הראשונה, יהיה צורך להגדיר את מזהה התנור עבור מד הטמפרטורה הדיגיטלי Ooni Connect™. יש להשתמש במתג 'מחזור טמפרטורה' ובמתג 'תאורה אחורית' כדי לעבור בין מספרי הזיהוי של התנור עד להצגת המספר הנכון.

מזהה התנור Ooni Karu 2 Pro הוא 002.

יש לאשר את מזהה התנור באמצעות לחיצה על מתג ההפעלה.

5.4 | שינוי מזהה התנור

יש ללחוץ לחיצה ממושכת בו-זמנית על מתג מחזור הטמפרטורה ועל מתג התאורה למשך 3 שניות כדי לבחור שוב את מזהה התנור. לאחר מכן, יש לעדכן את מזהה התנור ולאשר את הבחירה.

0. מה נכלל באריזה

- א. מד טמפרטורה דיגיטלי Ooni Connect™
- ב. תושבת הרכבה
- ג. אום נעילה (מגיע מחובר לרכזת)
- ד. כבל טמפרטורה סביבתית
- ה. חיישן מזון
- ו. סוללות AA
- ז. בורגי תושבת

1. מתגים וקבלת נתונים:

- א. מתג הפעלה (לחיצה ארוכה)
- ב. מחזור טמפרטורה (לחיצה קצרה)
- ג. הפעלת קישוריות Bluetooth (לחיצה ארוכה)
- ד. מתג תאורה אחורית
- ה. מצב Eco (לחיצה ארוכה)
- ו. תאורה אחורית (לחיצה קצרה)
- ז. כניסת חיישן מזון 1
- ח. כניסת חיישן מזון 2 (אופציונלי)
- ט. כניסת חיישן טמפרטורה סביבתית A
- י. מתג איפוס להגדרות היצרן

2. מסך

- א. תצוגת טמפרטורה ראשית
- ב. טבעת טמפרטורה
- ג. מחוון טמפרטורה (°C)
- ד. מחוון טמפרטורה (°F)
- ה. מחוון טמפרטורה סביבתית
- ו. מחוון חיישן מזון 1
- ז. תצוגת חיישן מזון 1
- ח. מחוון חיישן מזון 2 (אופציונלי)
- ט. תצוגת חיישן מזון 2 (אופציונלי)
- י. מחוון קישוריות Bluetooth
- יא. מחוון סוללה חלשה
- יב. מחוון מצב Eco

3. התקנת סוללות

- יש לשחרר את הברגים באמצעות מברג ולהסיר את הלשונית. יש להכניס 2 סוללות AA.
- יש להחזיר את הלשונית למקומה ולהבריג את הברגים.
- i** אם התנור מאוחסן לפרק זמן שעולה על חודש אחד, יש להוציא את הסוללות.

4. התקנה והרכבה**4.1 | התקנת מד טמפרטורה דיגיטלי Ooni Connect™**

- א. בעזרת 2 בורגי התושבת, יש לחבר את תושבת ההתקנה לחלק התחתון של התנור.
- ב. יש לחבר את מד הטמפרטורה הדיגיטלי Ooni Connect™ לתושבת באמצעות אום הנעילה (מגיע מחובר למד הטמפרטורה הדיגיטלי).

4.2 | חיבור כבל טמפרטורה סביבתית

- א. יש לחבר את כבל הטמפרטורה הסביבתית לכניסה בצדו התחתון של התנור.
- ב. יש לחבר את הקצה הנגדי לכניסה המתאימה בדופן האחורי של מד הטמפרטורה הדיגיטלי Ooni Connect™.

5.9 | אזהרת סוללה חלשה

כשהסוללות מתרוקנות, תוצג אזהרת סוללה חלשה שמציינת שיש להחליף סוללות בהקדם האפשרי.

⚠ אזהרה

יש לוודא תמיד שהתנור ומד הטמפרטורה הדיגיטלי קרים למגע לפני החלפת הסוללות.

5.10 | טמפרטורה גבוהה (Hi) או נמוכה (Lo)

מד הטמפרטורה הדיגיטלי Ooni Connect™ מיועד לקרוא טמפרטורות בישול בין 30°C (-22°F) ל- 550°C (999°F) וטמפרטורות בדיקת מזון בין 0°C (32°F) ל- 100°C (212°F).

ⓘ אם הטמפרטורות מחוץ לטווח זה, התצוגה הרלוונטית תציג מצב Hi או Lo.

6. טיפול ותחזוקה

מד הטמפרטורה הדיגיטלי Ooni Connect™: יש לנגב באמצעות מטלית לחה ולייבש מיד.

חיישני מזון: לפני ואחרי השימוש, יש לנקות את חיישני המזון באמצעות במים חמים וסבון ולהקפיד לא לטבול את החוט במים, ולאחר מכן לייבש מיד. אין לשטוף במדיח כלים.

יש לאחסן את מד הטמפרטורה הדיגיטלי Ooni Connect™ במקום מוגן ולתקופות ממושכות שאינו בשימוש; יש להסיר את הסוללות כדי להאריך את חייהן ולמנוע נזק.

⚠ אין להשקיע את מד הטמפרטורה הדיגיטלי Ooni Connect™, את חיישני המזון או את החוטים במים.

5.5 | ביצוע שיוך קישוריות Bluetooth

יש לוודא שקישוריות Bluetooth מופעל במכשיר. יש להפעיל את האפליקציה Ooni ולנווט אל הכרטיסיה Ooni Connect.

יש ללחוץ למשך 3 שניות על מחזור הטמפרטורה במד הטמפרטורה הדיגיטלי Ooni Connect™, עד שמחווני המצב של קישוריות Bluetooth יתחיל להבהב. יש לבצע את ההוראות באפליקציה של Ooni כדי לחבר את המכשיר.

לאחר חיבור בהצלחה, מחווני המצב של קישוריות Bluetooth יפסיק להבהב וימשיך לדלוק. אם מחווני המצב של קישוריות Bluetooth מתחיל להבהב במהירות, הדבר מצייין תקלה. אם הבעיה נמשכת, יש לנסות לבצע שוב את תהליך השיוך.

i אם לא נוצר חיבור, קישוריות ה-Bluetooth תכבה לאחר פרק זמן קצר.

5.6 | קריאת חיישן המזון

יש לוודא שחיישן המזון מחובר לקלט הנכון – לאחר מכן הטמפרטורה תופיע על הצג. בעת השימוש בחיישני מזון, יש להסיר את המכסה ולאחר מכן לוודא שהוא מוחדר לחלק העבה ביותר של הבשר ולהקפיד להימנע מעצמות או משכבת שומן.

i יש לוודא החלק של חיישן המזון שמוחדר לנתח בשר אינו נחשף לטמפרטורה שעולה על 250 מעלות צלזיוס (480 מעלות פרנהייט).

⚠ אזהרה

לפני ואחרי השימוש, יש לנקות את חיישני המזון באמצעות במים חמים וסבון ולהקפיד לא לטבול את החוט במים, ולאחר מכן לייבש מיד.

יש להיזהר בעת הטיפול בחיישני המזון מכיוון שהם חדים.

יש להשתמש תמיד בכפפות עמידות בחום בעת טיפול בחיישני מזון כשהם חמים.

אין להשתמש בחיישני מזון בטמפרטורות שעולות על 450°C.

5.7 | שינוי יחידת מדידה

יש ללחוץ לחיצה קצרה על מתג ההפעלה כדי לעבור בין מעלות צלזיוס (C°) למעלות פרנהייט (F°).

5.8 | מצב Eco

יש ללחוץ לחיצה ארוכה על מתג התאורה האחורית כדי לעבור בין בהירות מלאה למצב Eco. בעת שימוש במצב Eco, לחיצה קצרה על מתג כלשהו תגרום להארה מלאה של התצוגה למשך פרק זמן קצר.

סימון זה מציין שאין להשליך מוצר זה עם פסולת ביתית ברחבי האיחוד האירופי ובבריטניה. כדי למנוע נזק אפשרי לסביבה או לבריאות בני אדם בשל השלכה בלתי מבוקרת, יש למחזר אותו באופן אחראי כדי לקדם שימוש חוזר ובר-קיימא במקורות חומרים. כדי להחזיר את המכשיר המשומש, יש להשתמש במערכות ההחזרה והאיסוף או לפנות לחנות שבה נרכש המוצר. הם יוכלו לקבל את המוצר כדי להעבירו למיחזור בטוח לסביבה.



להבטחת פעולה תקינה של האפליקציה של Ooni, יש צורך בחיבור לרשת האינטרנט. אנחנו ממליצים לעדכן לגרסה האחרונה של iOS ו-Android כדי להפעיל את האפליקציה של Ooni. יש לוודא שהמכשיר הנייד תומך בטכנולוגיית Bluetooth 4.0 אלחוטית (טכנולוגיית Bluetooth® Low Energy אלחוטית) כדי להגדיר חיבור למכשיר. יש לבדוק את תאימות המכשיר.

BLE 2.4GHz –

2.4GHz, 2.5mW –

סימן המילה וסמלי הלוגו של Bluetooth® הם סימנים מסחריים רשומים בבעלות Bluetooth SIG, Inc. וכל שימוש בהם על ידי Ooni Limited הנו ברישיון. סימנים מסחריים ושמות מסחריים אחרים הנם שייכים לבעליהם בהתאמה.

בעיה	סיבה אפשרית	פתרון
מד הטמפרטורה הדיגיטלי Ooni Connect™ 5 לא תתחבר למכשיר.	<ol style="list-style-type: none"> המכשיר לא היה אחד מהמכשירים שהתחברו לאחרונה. רחוק מדי מהמכשיר. סיבה לא ידועה. 	<ol style="list-style-type: none"> יש לבצע את שלבי השייך לקישוריות Bluetooth (5.5) כדי להתחבר מחדש למכשיר. יש לוודא שמד הטמפרטורה הדיגיטלי נמצא בטווח של 10 מטר מהמכשיר, עם קו ראייה ברור. יש לנסות להשתמש במתג האיפוס להגדרות היצרן כדי להסיר את כל חיבורי ה-Bluetooth הקיימים ולאחר מכן לבצע את השלבים כדי להתחיל שוב.
הטמפרטורה הסביבתית / טמפרטורת בדיקת המזון אינה מוצגת על הצג	<ol style="list-style-type: none"> ייתכן שהחיבור מלוכלך. כבל הטמפרטורה הסביבתית אינו מחובר לתנור. ייתכן שהחיישנים מחוברים למקור קלט שגוי. ייתכן שהחיישן פגום. 	<ol style="list-style-type: none"> יש לנתק את החיישן ממד הטמפרטורה הדיגיטלי Ooni Connect™ ומהתנור. יש לנקות אותו בעדינות באמצעות מטלית לכה. יש לאפשר לו להתייבש באופן מלא ולחבר שוב למכשיר. יש לוודא שכבל חיישן הטמפרטורה הסביבתית מחובר ליציאה הנכונה בתנור. גם אם הוא מחובר, יש לנסות להסיר ולהתקין אותו שוב. יש לבדוק שחיישן הטמפרטורה הסביבתית וחיישן המזון מחוברים ליציאות הנכונות. יש לנסות לחבר את החיישן ליציאה השנייה, אם הוא פועל ייתכן שיש בעיה במכשיר, אחרת, ייתכן שיש בעיה בחיישן. יש לפנות לשירות הלקוחות של Ooni.
הקריאות של חיישן הטמפרטורה הסביבתית אינן מדויקות.	<ol style="list-style-type: none"> ייתכן שהחיישנים מחוברים למקור קלט שגוי. ייתכן שהחיישן בתנור מלוכלך. הגדרות הכיול של המכשיר השתנו. נבחר מזהה תנור שגוי. 	<ol style="list-style-type: none"> יש לבדוק שחיישן הטמפרטורה הסביבתית מחובר למקור הקלט הנכון. יש לוודא שהתנור קר לחלוטין ולנקות בעדינות את חיישן הטמפרטורה באמצעות מטלית לכה. יש להוריד את האפליקציה Ooni ולהתחבר למכשיר. פעולה זו תגרום לעדכון מד הטמפרטורה הדיגיטלי. אם הבעיות נמשכות, יש ללחוץ על מתג האיפוס להגדרות ברירת המחדל של היצרן כדי לחזור לכיול המקורי של המכשיר. יש לבצע את השלבים למעלה כדי לשנות את מזהה התנור או לחזור לאיפוס להגדרות ברירת המחדל של היצרן.
התצוגה חלשה או אינה מופעלת.	<ol style="list-style-type: none"> הסוללה חלשה או התרוקנה. מד הטמפרטורה הדיגיטלי Ooni Connect™ במצב Eco. 	<ol style="list-style-type: none"> יש לוודא שהתנור קר ובצע את השלבים המפורטים במדריך זה כדי להחליף את הסוללות. לחיצה ארוכה על מתג התאורה האחורית יחזיר את המוצר לבהירות מלאה.
קריאת הטמפרטורה הסביבתית גבוהה, אבל המזון אינו מתבשל כהלכה.	ייתכן שהאבן אינה מספיק חמה. חימום האבן אורך פרק זמן ארוך יותר מאשר הגעה לטמפרטורה הסביבתית בחלל התנור.	יש לאפשר לאבן להתחמם למשך פרק זמן ארוך יותר. יש להשתמש במדחום האינפרה-אדום הדיגיטלי של Ooni כדי לקבל קריאה מדויקת של טמפרטורת האבן.
My Ooni Connect™ Digital מד הטמפרטורה הדיגיטלי לא מגיב.	ייתכן שקיימת בעיה בתוכנה המשויכת למכשיר.	יש להוציא את הסוללות ולהכניס אותן שוב.
בעיה שלא מצינית כאן.	גילית בעיה חדשה!	עליך לפנות אל support.ooni.com

ITALIANO

AVVERTIMENTO

Leggere le istruzioni prima di utilizzare l'hub di temperatura digitale Ooni Connect™ e conservarle per riferimento futuro.

Le sonde alimentari e altre parti accessibili possono essere calde e taglienti. Tenere lontani i bambini piccoli.

Utilizzare l'hub di temperatura digitale Ooni Connect™ solo come indicato in questo manuale.

Per evitare danni, montare solo l'hub di temperatura Ooni Connect™ Digital e far passare i cavi nelle posizioni indicate nel presente manuale.

Le sonde per alimenti sono adatte per l'uso a temperature fino a 250 °C (480 °F). Non utilizzarle a temperature superiori o su fiamme vive.

Non modificare l'hub di temperatura digitale Ooni Connect™.

ATTENZIONE

Lavare e asciugare a mano le sonde termometriche prima del primo utilizzo.

Le sonde per alimenti non sono lavabili in lavastoviglie.

Non utilizzare prodotti chimici o detergenti abrasivi per pulire le sonde alimentari.

Rischio di esplosione se la batteria viene sostituita con una di tipo errato.

L'hub di temperatura Ooni Connect™ Digital funziona con le sonde alimentari Ooni; altri accessori potrebbero essere imprecisi, non funzionare o causare danni.

Hub di temperatura digitale Ooni Connect™

Utilizza l'hub di temperatura digitale Ooni Connect™ per misurazioni accurate e immediate della temperatura in gradi Celsius (°C) o Fahrenheit (°F). Collegare le sonde alimentari per ottenere un arrosto perfetto a cottura lenta o una bistecca dorata e collegarsi all'app Ooni per monitorare il tutto senza dover toccare il forno.

0. Cosa c'è nella scatola

- a. Hub di temperatura Ooni Connect™ Digital
- b. Staffa
- c. Dado a testa zigrinata (fornito con l'hub)
- d. Cavo per la temperatura ambiente
- e. Sonda per alimenti
- f. Batterie AA
- g. Viti della staffa

1. Pulsanti e ingressi:

- a. Pulsante di accensione (pressione prolungata)
Selettore °C / °F (pressione breve)
- b. Ciclo di temperatura (pressione breve)
Attivazione Bluetooth (pressione prolungata)
- c. Pulsante di retroilluminazione
Modalità Eco (pressione prolungata)
Retroilluminazione (pressione breve)
- d. Ingresso sonda termometrica 1
- e. Ingresso sonda termometrica 2 (opzionale)
- f. Ingresso temperatura ambiente A
- g. Pulsante di ripristino delle impostazioni di fabbrica

2. Schermo

- a. Visualizzazione della temperatura principale
- b. Anello di temperatura
- c. Indicatore °C
- d. Indicatore °F
- e. Indicatore della temperatura ambiente
- f. Indicatore della sonda alimentare 1
- g. Display della sonda alimentare 1
- h. Indicatore della sonda alimentare 2 (opzionale)
- i. Display della sonda alimentare 2 (opzionale)
- j. Indicatore di stato Bluetooth
- k. Indicatore di batteria scarica
- l. Indicatore della modalità Eco

3. Installare le batterie

Rimuovere le viti utilizzando un cacciavite e rimuovere il portello. Inserire 2 batterie AA. Riposizionare il portello e fissare le viti.

i Se si ripone il forno per più di un mese, rimuovere le batterie.

4. Allestimento e montaggio

4.1 | Collegamento dell'hub di temperatura Ooni Connect™ Digital

- a. Utilizzando 2 viti per staffa, fissare la staffa di montaggio alla parte inferiore del forno.
- b. Fissare l'hub di temperatura Ooni Connect™ Digital alla staffa utilizzando il dado a testa zigrinata (fornito con l'hub).

4.2 | Collegamento del cavo della temperatura ambiente

- a. Collegare il cavo della temperatura ambiente all'ingresso sul lato inferiore del forno.
- b. Collegare l'estremità opposta all'ingresso corrispondente sul retro dell'hub di temperatura digitale Ooni Connect™.

4.3 | Fissaggio del cavo della temperatura dell'aria ambiente

Fissare il cavo alla parte inferiore del forno.

5. Utilizzo dell'hub di temperatura digitale Ooni Connect™

5.1 | Scarica l'app Ooni



Scansiona per scaricare l'app Ooni

La configurazione dell'hub di temperatura Ooni Connect™ Digital è semplice e l'app Ooni fornirà istruzioni in ogni fase. Se hai già l'app Ooni, assicurati di eseguire l'aggiornamento all'ultima versione.

5.2 | Accensione/spengimento del dispositivo

- Accendere il dispositivo premendo brevemente il pulsante di accensione.
 - Spegnere il dispositivo premendo a lungo il pulsante di accensione.
- i** Spegni il dispositivo quando non è in uso per risparmiare batteria. Il dispositivo si spegnerà automaticamente dopo 45 minuti.

5.3 | Impostazione dell'ID del forno

Dopo la prima accensione, sarà necessario impostare l'ID del forno per l'hub di temperatura digitale Ooni Connect™. Utilizzare il pulsante del ciclo di temperatura e il pulsante della retroilluminazione per scorrere tra i numeri ID del forno fino a raggiungere quello corretto.

L'ID del forno per Ooni Karu 2 Pro è 002.

Confermare questo ID forno premendo il pulsante di accensione.

5.4 | Modifica dell'ID del forno

Tenere premuti contemporaneamente il pulsante del ciclo di temperatura e il pulsante della retroilluminazione per 3 secondi per riselectare l'ID del forno. Basta aggiornare l'ID del forno e confermare la selezione.

5.5 | Attivazione dell'associazione Bluetooth

Assicurati che il Bluetooth sia abilitato sul tuo dispositivo. Aprire l'app Ooni e passare alla scheda Ooni Connect.

Premi il pulsante del ciclo di temperatura sull'hub di temperatura digitale Ooni Connect™ per 3 secondi finché l'indicatore di stato Bluetooth non inizia a lampeggiare. Segui le istruzioni nell'app Ooni per connettere il tuo dispositivo.

Una connessione riuscita farà sì che l'indicatore di stato Bluetooth smetta di lampeggiare e rimanga acceso.

Se l'indicatore di stato Bluetooth inizia a lampeggiare rapidamente, significa che c'è un problema con la connessione. Prova a riavviare il processo di associazione se il problema persiste.

i Se non viene stabilita una connessione, il Bluetooth si spegnerà dopo un breve periodo di tempo.

5.6 | Lettura della sonda alimentare

Verificare che la sonda alimentare sia collegata all'ingresso corretto; dopodiché sul display verrà indicata la temperatura.

Quando si utilizza la sonda per alimenti, rimuovere il tappo e quindi assicurarsi che sia inserito nella parte più spessa della carne e assicurarsi di evitare ossa o grasso.

i La parte della sonda alimentare che entra nella carne non deve essere esposta a temperature superiori a 250 °C (480 °F).

⚠ AVVERTENZA

Prima e dopo l'uso, pulire la sonda alimentare con acqua calda e sapone, prestando attenzione a non immergere il filo nell'acqua, e asciugarla immediatamente.

Prestare attenzione quando si maneggia la sonda per alimenti poiché è affilata.

Indossare sempre guanti resistenti al calore se si maneggia la sonda termometrica quando è calda.

Non utilizzare le sonde termometriche a temperature superiori a 450 °C (842 °F).

5.7 | Modifica dell'unità di misura

Utilizzare una breve pressione singola del pulsante di accensione per passare da Celsius (°C) a Fahrenheit (°F).

5.8 | Modalità Eco

Premere a lungo il pulsante della retroilluminazione per passare dalla luminosità massima alla modalità Eco. In modalità Eco, una breve pressione di qualsiasi pulsante illuminerà completamente il display per un breve periodo di tempo.

5.9 | Avviso di batteria scarica

Quando le batterie si stanno esaurendo, si accende l'avviso di batteria scarica che indica che è necessario sostituire le batterie alla prima occasione disponibile.

⚠ AVVERTENZA

Assicurarsi sempre che il forno e l'hub di temperatura siano completamente raffreddati prima di sostituire le batterie.

5.10 | Temperatura alta (Hi) o bassa (Lo)

L'hub di temperatura digitale Ooni Connect™ è progettato per leggere le temperature di cottura tra -30 °C (-22 °F) e 550 °C (999 °F) e le temperature della sonda alimentare tra 0°C (32°F) e 100°C (212°F).

i Se le temperature sono al di fuori di questo intervallo, il relativo display mostrerà Hi o Lo.

6. Cura e manutenzione

Hub di temperatura digitale Ooni Connect™: pulire con un panno umido e asciugare immediatamente.

Sonde per alimenti: Prima e dopo ogni utilizzo, pulire con acqua calda e sapone, facendo attenzione a non immergere il filo nell'acqua e asciugare immediatamente. Non lavabile in lavastoviglie.

Riporre l'hub di temperatura Ooni Connect™ Digital all'interno e quando non viene utilizzato per periodi prolungati; rimuovere la batteria per prolungarne la durata e prevenire danni.

⚠ Non immergere mai l'hub di temperatura digitale Ooni Connect™, la sonda per alimenti o il cablaggio in acqua.

Risoluzione dei problemi

Problema	Possibile causa	Soluzione
Il mio hub di temperatura digitale Ooni Connect™ non si connette al mio dispositivo.	<ol style="list-style-type: none"> 1. Il dispositivo non era tra i dispositivi connessi più recentemente. 2. Troppo lontano per il dispositivo. 3. Motivo sconosciuto. 	<ol style="list-style-type: none"> 1. Seguire la procedura di associazione Bluetooth (5.5) per ricollegare il dispositivo. 2. Assicurarsi di trovarsi entro 10 m (33 piedi) dal dispositivo con una linea di vista libera. 3. Prova a utilizzare il pulsante di ripristino delle impostazioni di fabbrica per rimuovere tutte le connessioni Bluetooth esistenti, quindi segui i passaggi per ricominciare.
La temperatura ambiente / la temperatura della sonda termometrica non viene visualizzata sul display	<ol style="list-style-type: none"> 1. La connessione potrebbe essere sporca. 2. Il cavo della temperatura ambiente non è collegato al forno. 3. Le sonde/il sensore potrebbero essere collegati all'ingresso errato. 4. La sonda potrebbe essere danneggiata. 	<ol style="list-style-type: none"> 1. Rimuovere la sonda/il sensore dall'hub di temperatura Ooni Connect™ Digital e dal forno. Pulire delicatamente con un panno umido. Lasciare asciugare completamente e reinserire nel dispositivo. 2. Verificare che il cavo della temperatura ambiente sia collegato alla porta corretta del forno. Provare a rimuovere e reinstallare anche se è correttamente installato. 3. Verificare di aver collegato il sensore ambiente e la sonda alimentare corretti all'ingresso corretto. 4. Prova a collegare la sonda all'altro ingresso, se funziona potrebbe esserci un problema con il dispositivo, in caso contrario potrebbe esserci un problema con la sonda. Contatta l'assistenza Ooni.
Le letture del sensore di temperatura ambiente non sono accurate.	<ol style="list-style-type: none"> 1. Le sonde potrebbero essere collegate all'ingresso sbagliato. 2. Il sensore nel forno potrebbe essere sporco. 3. Le impostazioni di calibrazione del dispositivo sono state modificate. 4. È stato selezionato l'ID del forno errato. 	<ol style="list-style-type: none"> 1. Verificare di aver collegato il sensore ambientale corretto all'ingresso corretto. 2. Assicurandosi che il forno sia completamente freddo, raggiungere con cautela l'interno e pulire delicatamente il sensore di temperatura con un panno umido. 3. Scarica l'app Ooni e connettiti al tuo dispositivo. Questo aggiornerà il tuo hub di temperatura digitale. Se i problemi persistono, utilizzare il pulsante di ripristino delle impostazioni di fabbrica per ripristinare la calibrazione originale del dispositivo. 4. Seguire la procedura sopra descritta per modificare l'ID del forno o utilizzare il ripristino delle impostazioni di fabbrica.
Il display è debole o non si accende affatto.	<ol style="list-style-type: none"> 1. La batteria è quasi scarica o è già scarica. 2. L'hub di temperatura digitale Ooni Connect™ è in modalità Eco. 	<ol style="list-style-type: none"> 1. Assicurandosi che il forno sia completamente freddo, seguire la procedura descritta in questo manuale per sostituire le batterie. 2. Una pressione prolungata del pulsante di retroilluminazione riporterà il prodotto alla massima luminosità.
La lettura della temperatura ambiente è alta ma il mio cibo non cuoce correttamente.	La pietra potrebbe non essere abbastanza calda. La pietra impiegherà più tempo a preriscaldarsi rispetto alla temperatura ambiente del forno.	Dai alla tua pietra più tempo per preriscaldarsi. Usa un termometro digitale a infrarossi Ooni per ottenere una lettura accurata della temperatura della pietra.
Ooni Connect™ Digital L'hub di temperatura non risponde.	Potrebbe esserci un problema con il software associato al dispositivo.	Rimuovere le batterie e reinstallarle.
Ho un problema che non è elencato qui.	Hai scoperto un nuovo problema!	Contattare support.ooni.com



Questo marchio indica che questo prodotto non deve essere smaltito con altri rifiuti domestici in tutta l'UE e nel Regno Unito. Per evitare possibili danni all'ambiente o alla salute umana dovuti allo smaltimento incontrollato dei rifiuti, riciclare in modo responsabile per promuovere il riutilizzo sostenibile delle fonti di materiale. Per restituire il dispositivo usato, utilizzare i sistemi di restituzione e ritiro o contattare il rivenditore presso il quale è stato acquistato questo prodotto. Possono riciclare questo prodotto in modo sicuro per l'ambiente.

Affinché l'app Ooni funzioni, è necessario disporre di una connessione Internet attiva.

Ti consigliamo di eseguire l'aggiornamento all'ultima versione di iOS e Android per utilizzare l'app Ooni.

Il dispositivo mobile deve disporre del supporto della tecnologia wireless Bluetooth 4.0 (tecnologia wireless Bluetooth® Low Energy) per poter stabilire una connessione con l'apparecchio. Controlla le specifiche del tuo dispositivo per verificarne la compatibilità.

- BLE 2.4GHz
- 2,4 GHz, 2,5 mW

Il marchio denominativo e i loghi Bluetooth® sono marchi registrati di proprietà di Bluetooth SIG, Inc. e qualsiasi utilizzo di tali marchi da parte di Ooni Limited è concesso in licenza. Altri marchi e nomi commerciali appartengono ai rispettivi proprietari.

警告

Ooni Connect™ Digital Temperature Hub を使用する前に説明書を読み、後で参照できるように保管してください。

食品プローブやアクセス可能なその他の部品は、高温で鋭利である場合があります。小さな子供を近づけないでください。

Ooni Connect™ Digital Temperature Hubは、このマニュアルの指示に従ってのみ使用してください。

損傷を防ぐため、Ooni Connect™ デジタル温度ハブだけを取り付け、ケーブルを本マニュアルで指示されている場所に配線してください。

食品プローブは、最大480°F(250°C)の温度での使用に適しています。これを超える温度や直火で使用しないでください。

Ooni Connect™ デジタル温度ハブを改造しないでください。

注意

初めて使用する前に、食品プローブを手洗いして乾かしてください。

食品プローブは食器洗い機を使用できません。

食品プローブの洗浄に化学薬品や研磨剤を使用しないでください。

バッテリーを間違ったタイプに交換すると爆発する危険があります。

Ooni Connect™ デジタル温度ハブは、Ooni 食品プローブとともに機能します。その他のアクセサリの使用は、不正確、動作不能、損傷の原因となる可能性があります。

Ooni Connect™ デジタル温度ハブ

Ooni Connect™ Digital Temperature Hubを使用して、摂氏(°C)または華氏(°F)で正確かつ即時の温度測定を行います。完璧なスローローストや焼きステーキを完成させるために食品プローブを接続し、Ooni アプリに接続することで、オープンに触れることすらなくこれらすべてを監視できます。

0. 梱包内容

- a. Ooni Connect™ デジタル温度ハブ
- b. 取り付けブラケット
- c. つまみナット (ハブに付属)
- d. 周囲温度ケーブル
- e. 食品プローブ
- f. 単三電池
- g. ブラケットネジ

1. ボタンと入力:

- a. 電源ボタン (長押し)
°C / °F セレクター (短押し)
- b. 温度切替 (短押し)
Bluetooth アクティベーション (長押し)
- c. バックライトボタン
エコモード (長押し)
バックライト (短押し)
- d. 食品プローブ入力 1
- e. 食品プローブ入力 2 (オプション)
- f. 周囲温度入力 A
- g. 工場出荷時設定へのリセットボタン

2. スクリーン

- a. メイン温度表示
- b. 温度リング
- c. °C インジケーター
- d. °F インジケーター
- e. 周囲温度 インジケーター
- f. 食品プローブ 1 インジケーター
- g. 食品プローブ 1 ディスプレイ
- h. 食品プローブ 2 インジケーター (オプション)
- i. 食品プローブ 2 ディスプレイ (オプション)
- j. Bluetooth ステータス インジケーター
- k. バッテリー残量低下 インジケーター
- l. エコモード インジケーター

3. 電池を取り付けます

ドライバーでネジを外し、ハッチを取り外します。単三電池 2 本を挿入します。蓋を元に戻し、ネジを固定します。

- i** オープンを1か月以上保管する場合は、電池を取り外してください。

4. セットアップと組み立て

4.1 | Ooni Connect™ デジタル温度ハブの取り付け

- a. ブラケットネジ 2 本を使用して、取り付けブラケットをオープンの下側に取り付けます。
- b. つまみナット (ハブに付属) を使用して、Ooni Connect™ デジタル温度ハブをブラケットに取り付けます。

4.2 | 周囲温度ケーブルの取り付け

- a. 周囲温度ケーブルをオープン下部の入力部に差し込みます。
- b. 反対側の端を Ooni Connect™ デジタル温度ハブの背面にある対応する入力に差し込みます。

4.3 | 周囲温度ケーブルの固定

ケーブルをオープン下側にクリップで留めます。

5. Ooni Connect™ デジタル温度ハブの使用

5.1 | Ooniアプリをダウンロードする



スキャンして Ooni アプリをダウンロードします

Ooni Connect™ Digital Temperature Hubのセットアップは簡単で、Ooniアプリが各ステップを説明します。すでにOoniアプリをお持ちの場合は、必ず最新バージョンにアップデートしてください。

5.2 | デバイスの電源オン/オフ

- a. 電源ボタンを短く押してデバイスの電源をオンにします。
 - b. 電源ボタンを長押ししてデバイスの電源を切ります。
- i** バッテリーを節約するために、使用しないときはデバイスの電源を切ってください。デバイスは45分後に自動的にオフになります。

5.3 | オープンIDの設定

はじめて電源をオンにした後で、OoniConnect™ デジタル温度ハブのオープン ID を設定する必要があります。温度サイクルボタンとバックライトボタンを使用して、正しい番号に達するまで、オープン ID 番号を切り替えます。

Ooni Karu 2 ProのオープンIDは002です。

電源ボタンを押して、このオープン ID を確認します。

5.4 | オープンIDの変更

温度サイクルボタンとバックライトボタンを一緒に3秒間押して、オープン ID を再選択します。オープンIDを更新して選択を確定するだけです。

5.5 | Bluetoothペアリングのアクティブ化

デバイスでBluetoothが有効になっていることを確認します。Ooni アプリを開き、Ooni Connect タブに移動します。

Bluetoothステータスインジケーターが点滅し始めるまで、Ooni Connect™ Digital Temperature Hubの温度サイクルボタンを3秒間押します。Ooniアプリの指示に従って、デバイスを接続します。

接続が成功すると、Bluetoothステータスインジケーターの点滅が止まり、点灯したままになります。

Bluetoothステータスインジケーターがすばやく点滅し始めた場合は、接続に問題があることを意味します。問題が解決しない場合は、ペアリングプロセスを再試行してください。

i 接続が確立されていない場合、Bluetoothは短時間でオフになります。

5.6 | フードプローブの読み取り

食品プローブが正しい入力に接続されていることを確認します。その後、ディスプレイに温度が表示されます。

食品プローブを使用するときは、キャップを外し、肉の最も厚い部分に挿入されていることを確認し、骨や脂肪は避けるようにしてください。

i 肉に入る食品プローブの部分は、250 °C (480 °F)を超える温度にさらさないでください。

▲ 警告

使用前後に、ワイヤーが水に浸からないように注意しながらフードプローブを熱い石鹼水で洗浄し、すぐに乾かしてください。

フードプローブは鋭利なので取り扱いには注意してください。

高温のときにフードプローブを取り扱う場合は、常に耐熱手袋を着用してください。

450°C (842°F)を超える温度で食品プローブを使用しないでください。

5.7 | 測定単位の変更

電源ボタンを短く1回押すと、摂氏(°C) と華氏(°F) が切り替わります。

5.8 | エコモード

バックライトボタンを長押しして、最大輝度とエコモードを切り替えます。エコモードの場合、いずれかのボタンを短く押すと、ディスプレイが短時間完全に点灯します。

5.9 | バッテリー容量低下警告

バッテリーが切れかけると、バッテリー容量低下警告が鳴り、次の可能な機会にバッテリーを交換する必要があることが表示されます。

▲ 警告

電池を交換する前に、オープンと温度ハブが完全に冷えていることを常に確認してください。

5.10 | 高温 (Hi) または低温 (Lo)

Ooni Connect™ デジタル温度ハブは、-30°C (-22°F) から 550°C (999°F) の調理温度と 0°C (32°F) から 100°C (212°F) の食品プローブ温度を読み取るように設計されています。

i 温度がこの範囲外の場合、関連するディスプレイには Hi または Lo が表示されます。

6. お手入れとメンテナンス

Ooni Connect™ デジタル温度ハブ: 湿った布で拭き取り、すぐに乾かします。

食品プローブ: 毎回使用前後に、ワイヤーが水に浸からないように注意しながらフードプローブを熱い石鹼水で洗浄し、すぐに乾かしてください。食器洗い機を使用できません。

Ooni Connect™ デジタル温度ハブは室内で保管し、長期間使用しないときは、バッテリーの寿命を延ばし、損傷を防ぐために、バッテリーを取り外します。

▲ Ooni Connect™ デジタル温度ハブ、食品プローブ、または配線を水に浸さないでください。

トラブルシューティング

問題	考えられる原因	解決
Ooni Connect™ デジタル温度ハブを、自分のデバイスに接続できません。	<ol style="list-style-type: none"> お使いのデバイスは最近接続したのものの中には含まれていません。 デバイスに対して遠すぎます。 理由は不明です。 	<ol style="list-style-type: none"> Bluetooth のペアリング手順 (5.5) に従って、お使いのデバイスを再接続してください。 デバイスから10m(33フィート)以内において、見通しがはっきりしていることを確認してください。 工場出荷時のリセットボタンを使用して既存のBluetooth接続をすべて削除してから、手順に従って最初からやり直してください。
周囲温度/食品プローブの温度がディスプレイに表示されません	<ol style="list-style-type: none"> 接続が汚れている可能性があります。 周囲温度ケーブルがオープンに接続されていません。 プローブ/センサーが間違った入力に接続されている可能性があります。 プローブが損傷している可能性があります。 	<ol style="list-style-type: none"> プローブ/センサーは、Ooni Connect™ デジタル温度ハブとオープンから取り外すことができます。湿った布でそっと拭き取ります。完全に乾かし、デバイスに再度挿入します。 周囲温度ケーブルがオープンの正しいポートに差し込まれていることを確認します。そうであっても、取り外して再インストールしてみてください。 正しい周囲温度センサーと食品プローブが正しい入力に接続されていることを確認してください。 プローブを他の入力に接続してみてください、それが機能する場合はデバイスに問題がある可能性があります、そうでない場合はプローブに問題がある可能性があります。Ooniサポートにお問い合わせください。
周囲温度センサーの読み取り値は正確ではありません。	<ol style="list-style-type: none"> プローブが間違った入力に接続されている可能性があります。 オープン内のセンサーが汚れている可能性があります。 デバイスのキャリブレーション設定が変更されました。 間違ったオープンIDが選択されています。 	<ol style="list-style-type: none"> 正しいアンビエントセンサーが正しい入力に接続されていることを確認してください。 オープンが完全に冷えていることを確認して、慎重に内部に手を入れ、湿った布で温度センサーをそっと拭きます。 Ooniアプリをダウンロードして、デバイスに接続します。これにより、デジタル温度ハブが更新されます。問題が解決しない場合は、工場出荷時の設定に戻すリセットボタンでデバイスを元のキャリブレーションに戻します。 オープンIDの変更、または工場出荷時設定へのリセットを使用するには、上記の手順に従ってください。
ディスプレイがかすかに点灯/まったく点灯しない。	<ol style="list-style-type: none"> バッテリーがほぼ消耗しているか、すでに消耗しています。 Ooni Connect™ デジタル温度ハブは、エコモードです。 	<ol style="list-style-type: none"> オープンが完全に冷えていることを確認し、このマニュアルに記載されている手順に従ってバッテリーを交換します。 バックライトボタンを長押しすると、製品が完全な明るさに戻ります。
周囲温度の読み取り値が高いですが、食べ物適切に調理されていません。	石は十分に暖かくないかもしれません。石の予熱には、オープンの周囲温度よりも時間がかかります。	石が予熱する時間をもっと長くしてください。Ooniデジタル赤外線温度計を使用して、石の温度を正確に読み取ります。
私の Ooni Connect™ デジタル温度ハブが応答しません。	デバイスに関連付けられているソフトウェアに問題がある可能性があります。	バッテリーを取り外し、再度取り付けます。
ここに記載されていない問題があります。	新しい問題を発見しました!	以下にお問い合わせください。 support.ooni.com



このマーキングは、この製品をEUおよび英国全体で他の家庭ごみと一緒に廃棄してはならないことを示しています。管理されていない廃棄物処理による環境や人の健康への危害を防ぐために、廃棄物は責任を持ってリサイクルし、資源の持続可能な再使用に取り組んでください。使用済みのデバイスを返品するには、返品および回収システムを使用するか、この製品を購入した販売店にお問い合わせください。本製品は、環境的に安全なリサイクル施設に持ち込むことができます。

Ooniアプリを機能させるには、ライブインターネット接続が必要です。

Ooniアプリを動作させるには、iOSとAndroidを最新バージョンにアップデートすることをお勧めします。

アプリアンスとの接続を設定するには、モバイルデバイスにBluetoothワイヤステクノロジー4.0サポート(Bluetooth®ワイヤステクノロジーLow Energy)が必要です。デバイスの仕様で互換性を確認してください。

- BLE 2.4GHz
- 2.4GHz、2.5mW

Bluetooth®のワードマークおよびロゴは、Bluetooth SIG、Inc.が所有する登録商標であり、Ooni Limitedによるそのようなマークの使用はライセンスに基づいています。その他の商標および商号は、それぞれの所有者のものです。

⚠ WAARSCHUWING

Lees de instructies voordat de Ooni Connect™ Digital Temperature Hub wordt gebruikt en bewaar ze voor toekomstig gebruik.

Voedselsondes en andere toegankelijke onderdelen kunnen heet en scherp zijn. Houd jonge kinderen uit de buurt.

Gebruik de Ooni Connect™ Digital Temperature Hub alleen volgens de instructies in deze handleiding.

Monteer de Ooni Connect™ Digital Temperature Hub zoals deze handleiding aangeeft en leid de kabels alleen naar de locaties die in deze handleiding worden aangegeven, om schade te voorkomen.

De voedselsondes zijn geschikt voor gebruik bij temperaturen tot 250 °C (480 °F). Gebruik de sondes niet bij temperaturen hoger dan dit of op open vuur.

Wijzig de Ooni Connect™ Digital Temperature Hub niet.

⚠ LET OP

Was en droog de voedselsondes met de hand voor het eerste gebruik.

De voedselsondes zijn niet vaatwasmachinebestendig.

Gebruik geen chemicaliën of schurende reinigingsmiddelen om de voedselsondes schoon te maken.

Explosiegevaar als de batterij wordt vervangen door een onjuist type.

De Ooni Connect™ Digital Temperature Hub werkt met Ooni voedselsondes; andere accessoires kunnen onnauwkeurig zijn, niet werken of mogelijk schade veroorzaken.

Ooni Connect™ Digitale Temperatuurhub

Gebruik de Ooni Connect™ Digital Temperature Hub voor nauwkeurige en onmiddellijke temperatuurmetingen in Celsius (°C) of Fahrenheit (°F). Sluit de voedselonde(s) aan om de perfecte "slow roast" of gegrilde biefstuk te krijgen en maak verbinding met de Ooni-app om dit allemaal in de gaten te houden zonder de oven te hoeven aanraken.

0. Wat vind je in de doos

- a. Ooni Connect™ Digital Temperature Hub
- b. Montagebeugel
- c. Duimmoer (zit al bevestigd aan de Hub)
- d. Kabel voor omgevingstemperatuur
- e. Voedselsonde
- f. AA-batterijen
- g. Beugelschroeven

1. Knoppen en ingangen:

- a. Aan/uit-knop (lang indrukken)
°C / °F keuzeschakelaar (kort indrukken)
- b. Temperatuur doorlopen (kort indrukken)
Bluetooth-activering (lang indrukken)
- c. Knop voor achtergrondverlichting
Eco-modus (lang indrukken)
- d. Achtergrondverlichting (kort indrukken)
- e. Ingang voedselsonde 1
- f. Ingang voedselsonde 2 (optioneel)
- g. Ingang omgevingstemperatuur A
- g. Resetknop

2. Scherm

- a. Weergave van de hoofdtemperatuur
- b. Temperatuurring
- c. °C-indicator
- d. °F-indicator
- e. Indicator omgevingstemperatuur
- f. Indicator voedselsonde 1
- g. Weergave voedselsonde 1
- h. Indicator voedselsonde 2 (optioneel)
- i. Weergave voedselsonde 2 (optioneel)
- j. Indicator Bluetooth-status
- k. Indicator voor bijna lege batterij
- l. Indicator voor Eco-modus

3. Batterijen installeren

Verwijder de schroeven met een schroevendraaier en verwijder het luik.

Plaats 2x AA-batterijen.

Plaats het luik terug en zet de schroeven vast.

 Als u de oven langer dan een maand opbergt, verwijder dan de batterijen.

4. Instellen en monteren

4.1 | Ooni Connect™ digitale temperatuurhub bevestigen

- a. Bevestig de montagebeugel met behulp van 2x beugelschroeven aan de onderkant van de oven.
- b. Bevestig de Ooni Connect™ Digital Temperature Hub aan de beugel met behulp van de duimmoer (zit al bevestigd aan de Hub).

4.2 | De kabel voor de omgevingstemperatuur bevestigen

- a. Steek de kabel voor de omgevingstemperatuur in de ingang aan de onderzijde van de oven.
- b. Steek het andere uiteinde in de overeenkomstige ingang aan de achterkant van de Ooni Connect™ Digital Temperature Hub.

4.3 | De kabel voor de omgevingsluchttemperatuur vastzetten

Klem de kabel aan de onderkant van de oven.

5. De Ooni Connect™ digitale temperatuurhub gebruiken

5.1 | Download de Ooni app



Scan om de Ooni-app te downloaden

Het instellen van de Ooni Connect™ Digital Temperature Hub is eenvoudig en de Ooni-app helpt bij elke stap. Als je de Ooni-app al hebt, zorg er dan voor dat je bijwerkt naar de nieuwste versie.

5.2 | Het apparaat in-/uitschakelen

- a. Druk kort op de aan/uit-knop om het apparaat in te schakelen.
 - b. Schakel het apparaat uit door lang op de aan/uit-knop te drukken.
- i** Schakel uw apparaat uit wanneer het niet in gebruik is om de batterij te sparen. Het apparaat schakelt na 45 minuten automatisch uit.

5.3 | De oven-ID instellen

Na de eerste keer inschakelen moet u de oven-ID voor uw Ooni Connect™ Digital Temperature Hub instellen. Gebruik de temperatuercyclusknop en de knop voor de achtergrondverlichting om tussen de oven-ID-nummers te schakelen totdat het juiste nummer is bereikt.

De oven-ID voor Ooni Karu 2 Pro is 002.

Bevestig deze oven-ID door op de aan/uit-knop te drukken.

5.4 | De oven-ID wijzigen

Houd de temperatuercyclusknop en de knop voor achtergrondverlichting tegelijkertijd 3 seconden ingedrukt om de oven-ID opnieuw te selecteren. Werk gewoon de oven-ID bij en bevestig de selectie.

5.5 | Bluetooth-koppeling activeren

Zorg ervoor dat Bluetooth is ingeschakeld op uw apparaat. Open de Ooni-app en navigeer naar het tabblad Ooni Connect.

Houd de temperatuercyclusknop op uw Ooni Connect™ Digital Temperature Hub 3 seconden ingedrukt totdat de Bluetooth-statusindicator begint te knippen. Volg de instructies in de Ooni-app om je apparaat te verbinden.

Een succesvolle verbinding zorgt ervoor dat de Bluetooth-statusindicator stopt met knippen en blijft branden.

Als de Bluetooth-statusindicator snel begint te knippen, betekent dit dat er een probleem is met de verbinding. Probeer het koppelingsproces opnieuw te starten als het probleem zich blijft voordoen.

i Als er geen verbinding tot stand wordt gebracht, wordt Bluetooth na korte tijd uitgeschakeld.

5.6 | De voedselsonde aflezen

Controleer of de voedselsonde op de juiste ingang is aangesloten, waarna de temperatuur op het display verschijnt.

Wanneer u de voedselsonde gebruikt, verwijder dan de dop en zorg ervoor dat deze in het dikste deel van het vlees wordt gestoken, en zorg ervoor dat u botten of vet vermijdt.

i Het gedeelte van de voedselsonde dat in het vlees gaat, mag niet worden blootgesteld aan temperaturen boven 250 °C (480 °F).

⚠ WAARSCHUWING

Reinig voor en na gebruik de voedselsonde met heet zeepsop, zorg ervoor dat u de draad niet in het water onderdompelt en droog deze onmiddellijk af.

Wees voorzichtig bij het hanteren van de voedselsonde, aangezien deze scherp is.

Draag altijd hittebestendige handschoenen als u de voedselsonde hanteert als deze heet is.

Gebruik de voedselondes niet bij temperaturen hoger dan 450 °C (842 °F).

5.7 | De meeteenheid wijzigen

Gebruik een korte, enkele druk op de aan/uit-knop om tussen Celsius (°C) en Fahrenheit (°F) te schakelen.

5.8 | Eco-modus

Gebruik een lange druk op de achtergrondverlichtingsknop om te schakelen tussen volledige helderheid en Eco-modus. In de Eco-modus zal een korte druk op een willekeurige knop het display gedurende een korte periode volledig verlichten.

5.9 | Waarschuwing voor bijna lege batterij

Wanneer de batterijen bijna leeg zijn, gaat de waarschuwing voor een bijna lege batterij branden om aan te geven dat u de batterijen bij de eerstvolgende gelegenheid moet vervangen.

⚠ WAARSCHUWING

Zorg er altijd voor dat de oven en de temperatuurhub volledig zijn afgekoeld voordat u de batterijen vervangt.

5.10 | Hoge (Hi) of Lage (Lo) temperatuur

De Ooni Connect™ Digital Temperature Hub is ontworpen om kooktemperaturen tussen -30 °C (-22 °F) en 550 °C (999 °F) en voedselondetemperaturen tussen 0 °C (32 °F) en 100 °C (212 °F) af te lezen.

- ❗ Als de temperaturen buiten dit bereik liggen, verschijnt op het betreffende display Hi of Lo.

6. Verzorging en onderhoud

Ooni Connect™ Digital Temperature Hub: Veeg af met een vochtige doek en droog onmiddellijk af.

Voedselondes: Reinig voor en na elk gebruik met een warm sopje. Zorg ervoor dat de draad niet in het water wordt ondergedompeld en droog het onmiddellijk af. Niet vaatwasmachinebestendig.

Bewaar de Ooni Connect™ Digital Temperature Hub binnen. Verwijder de batterij om de levensduur van de batterij te verlengen en schade te voorkomen wanneer het apparaat voor langere tijd niet wordt gebruikt.

- ⚠ Dompel de Ooni Connect™ Digital Temperature Hub, voedselsonde of bedrading nooit onder in water.

Probleemoplossing

Probleem	Mogelijke oorzaak	Oplossing
Mijn Ooni Connect™ Digital Temperature Hub maakt geen verbinding met mijn apparaat.	<ol style="list-style-type: none"> 1. Het apparaat was niet een van de meest recent verbonden apparaten. 2. Te ver weg voor het apparaat. 3. Onbekende reden. 	<ol style="list-style-type: none"> 1. Volg de Bluetooth-koppelingsstappen (5.5) om uw apparaat opnieuw te verbinden. 2. Zorg ervoor dat u zich binnen 10 m (33 ft) van het apparaat bevindt met een duidelijke zichtlijn. 3. Probeer de fabrieksresetknop te gebruiken om alle bestaande Bluetooth-verbindingen te verwijderen en volg de stappen om opnieuw te beginnen.
Omgevingstemperatuur / temperatuur van de voedselsonde wordt niet weergegeven op het display	<ol style="list-style-type: none"> 1. De verbinding kan vuil zijn. 2. De kabel voor de omgevingstemperatuur is niet aangesloten op de oven. 3. De sondes / sensor zijn mogelijk op de verkeerde ingang aangesloten. 4. De sonde is mogelijk beschadigd. 	<ol style="list-style-type: none"> 1. Verwijder de sonde/sensor uit de Ooni Connect™ Digital Temperature Hub en uit de oven. Reinig het voorzichtig met een vochtige doek. Laat het volledig drogen en plaats het daarna opnieuw in het apparaat. 2. Controleer of de kabel voor de omgevingstemperatuur op de juiste poort van de oven is aangesloten. Probeer de kabel te verwijderen en opnieuw te plaatsen, zelfs als dit het geval is. 3. Controleer of de juiste omgevingssensor en voedselsonde op de juiste ingang zijn aangesloten. 4. Probeer de sonde op de andere ingang aan te sluiten. Als het daar werkt, is er mogelijk een probleem met het apparaat. Als het daar niet werkt, is er mogelijk een probleem met de sonde. Neem contact op met Ooni support.
De metingen van de omgevingstemperatuursensor zijn niet nauwkeurig.	<ol style="list-style-type: none"> 1. De sondes zijn mogelijk op de verkeerde ingang aangesloten. 2. De sensor in de oven kan vuil zijn. 3. De kalibratie-instellingen van het apparaat zijn gewijzigd. 4. De verkeerde oven-ID is geselecteerd. 	<ol style="list-style-type: none"> 1. Controleer of de juiste omgevingssensor op de juiste ingang is aangesloten. 2. Zorg ervoor dat de oven helemaal koud is. Reik voorzichtig naar binnen en maak de temperatuursensor voorzichtig schoon met een vochtige doek. 3. Download de Ooni-app en maak verbinding met je apparaat. Hiermee wordt uw Digital Temperature Hub bijgewerkt. Als de problemen aanhouden, gebruikt u de knop voor het terugzetten naar de fabrieksinstellingen om het apparaat terug te zetten naar de oorspronkelijke kalibratie. 4. Volg de bovenstaande stappen om de oven-ID te wijzigen of de fabrieksreset te gebruiken.
Het display is zwak of gaat helemaal niet aan.	<ol style="list-style-type: none"> 1. De batterij is bijna leeg of is al leeg. 2. De Ooni Connect™ Digital Temperature Hub staat in de Eco-modus. 	<ol style="list-style-type: none"> 1. Volg de stappen in deze handleiding om de batterijen te vervangen, nadat de oven volledig is afgekoeld. 2. Een lange druk op de knop voor achtergrondverlichting brengt het product terug naar volledige lichtsterkte.
De omgevingstemperatuur is hoog, maar mijn eten kookt niet goed.	De steen is misschien niet warm genoeg. Het duurt langer om de steen voor te verwarmen dan het duurt om de omgevingstemperatuur in de oven op peil te krijgen.	Geef je steen meer tijd om voor te verwarmen. Gebruik een Ooni digitale infraroodthermometer om de steentemperatuur nauwkeurig af te lezen.
Mijn Ooni Connect™ Digital Temperature Hub reageert niet.	Mogelijk is er een probleem met de software die aan het apparaat is gekoppeld.	Verwijder de batterijen en plaats ze terug.
Ik heb een probleem dat hier niet wordt vermeld.	Je hebt een nieuw probleem ontdekt!	Neem contact met ons op via support.ooni.com



Deze markering geeft aan dat dit product niet mag worden weggegooid met ander huishoudelijk afval in de EU en het VK. Om mogelijke schade aan het milieu of de menselijke gezondheid door ongecontroleerde afvalverwijdering te voorkomen, moet u het op verantwoorde wijze recyclen om het duurzame hergebruik van materiaalbronnen te bevorderen. Om uw gebruikte apparaat te retourneren, gebruikt u de retour- en inzamelsystemen of neemt u contact op met de winkel waar dit product is gekocht. Ze kunnen dit product inleveren voor milieuvriendelijke recycling.

Je moet een live internetverbinding hebben om de Ooni-app te laten werken.

We raden aan om te updaten naar de nieuwste versie van iOS en Android om de Ooni-app te gebruiken.

Je mobiele apparaat moet ondersteuning hebben voor Bluetooth 4.0 draadloze technologie (Bluetooth® Low Energy draadloze technologie) om een verbinding met het apparaat tot stand te brengen. Controleer de specificaties van uw apparaat op compatibiliteit.

- BLE 2,4 GHz
- 2,4 GHz, 2,5 mW

Bluetooth® woordmerk en logo's zijn gedeponeerde handelsmerken van Bluetooth SIG, Inc. en elk gebruik van deze merken door Ooni Limited is onder licentie. Andere handelsmerken en handelsnamen zijn die van hun respectievelijke eigenaren.

⚠ ADVARSEL

Les bruksanvisningen før du bruker Ooni Connect™ Digital Temperature Hub og oppbevar den for fremtidig henvisning.

Matsonder og andre tilgjengelige deler kan være varme og skarpe. Hold små barn unna.

Bruk kun Ooni Connect™ Digital Temperature Hub som instruert i denne håndboken.

For å unngå skade må Ooni Connect™ Digital Temperature Hub kun monteres og kabel/kabler kun trekkes til plassering(e) anvist i denne håndboken.

Matsondene er egnet for bruk ved temperaturer på opptil 480 °F (250 °C). Ikke bruk ved temperaturer over dette eller på åpen ild.

Ikke modifier Ooni Connect™ Digital Temperature Hub.

⚠ FORSIKTIGHET

Vask og tørk matsondene før første gangs bruk.

Matsondene tåler ikke oppvaskmaskin.

Ikke bruk kjemikalier eller skurende rengjøringsmidler til å rengjøre matsondene.

Eksplisjonsfare hvis batteriet byttes ut med feil type.

Ooni Connect™ Digital Temperature Hub fungerer med Oonis matsonder; annet ekstrautstyr kan være unøyaktig, ikke fungere, eller potensielt forårsake skade.

Ooni Connect™ Digital Temperature Hub

Bruk Ooni Connect™ Digital Temperature Hub for nøyaktige og umiddelbare temperaturmålinger i Celsius (°C) eller Fahrenheit (°F). Koble til matsonden(e) for å få perfekt langstekt stek eller brunet biff, og koble til Ooni-appen for å følge med på alt dette uten å måtte røre ovnen.

0. Hva er i boksen

- a. Ooni Connect™ Digital Temperature Hub
- b. Monteringsbrakett
- c. Vingemutter (kommer festet til huben)
- d. Kabel for omgivelsestemperatur
- e. Matsonde
- f. AA-batterier
- g. Brakettskruer

1. Knapper og innganger:

- a. Strømknapp (langt trykk)
°C / °F velger (kort trykk)
- b. Temperatursyklus (kort trykk)
Bluetooth-aktivering (langt trykk)
- c. Knapp for bakgrunnsbelysning
Øko-modus (langt trykk)
Bakgrunnsbelysning (kort trykk)
- d. Inngang for matsonde 1
- e. Matsondeinngang 2 (valgfritt)
- f. Inngang for omgivelsestemperatur A
- g. Knapp for tilbakestilling til fabrikkstandard

2. Skjerm

- a. Hovedskjerm for temperatur
- b. Temperaturring
- c. °C-indikator
- d. °F-indikator
- e. Indikator for omgivelsestemperatur
- f. Indikator for matsonde 1
- g. Skjerm for matsonde 1
- h. Indikator for matsonde 2 (valgfritt)
- i. Skjerm for matsonde 2 (valgfri)
- j. Indikator for Bluetooth-status
- k. Indikator for lavt batteri
- l. Indikator for økomodus

3. Sett inn batterier

Fjern skruene med en skrutrekker og fjern luken. Sett inn 2 stk. AA-batterier. Sett på luken og fest skruene.

i Hvis du oppbevarer ovnen i mer enn en måned, må du ta ut batteriene.

4. Oppsett og montering

4.1 | Feste Ooni Connect™ Digital Temperature Hub

- a. Bruk 2 brakettskruer for å feste monteringsbraketten på ovnens underside.
- b. Fest Ooni Connect™ Digital Temperature Hub til braketten ved hjelp av vingemutteren (kommer festet til huben).

4.2 | Feste omgivelsestemperaturkabelen

- a. Sett inn kabelen for omgivelsestemperatur i inngangen på ovnens underside.
- b. Koble den motsatte enden til den tilsvarende inngangen på baksiden av Ooni Connect™ Digital Temperature Hub.

4.3 | Feste kabelen for omgivelsestemperatur

Sett fast kabelen på ovns underside.

5. Bruke Ooni Connect™ Digital Temperature Hub

5.1 | Last ned Ooni-appen



Skann for å laste ned Ooni-appen

Konfigurering av Ooni Connect™ Digital Temperature Hub er enkelt, og Ooni-appen vil hjelpe deg gjennom hvert trinn. Hvis du allerede har Ooni-appen, sørg for å oppdatere til den nyeste versjonen.

5.2 | Slå på/av enhet

- a. Slå på enheten med et kort trykk på strømknappen.
 - b. Slå av enheten med et langt trykk på strømknappen.
- i** Slå av enheten når den ikke er i bruk for å spare batteri. Enheten slår seg automatisk av etter 45 minutter.

5.3 | Stille inn ovns-ID

Etter den første påslåingen, må du angi ovns-ID for Ooni Connect™ Digital Temperature Hub. Bruk temperatursyklusknappen og baklysknappen for å sykle mellom ovn-ID-numrene til du kommer til den riktige.

Ovns-ID-en for Ooni Karu 2 Pro er 002.

Bekreft denne ovns-ID-en ved å trykke på strømknappen.

5.4 | Endre ovns-ID

Trykk og hold temperatursyklusknappen og baklysknappen sammen i 3 sekunder for å velge ovn-ID-en igjen. Bare oppdater ovns-ID-en og bekreft valget.

5.5 | Aktivere Bluetooth-sammenkobling

Sørg for at Bluetooth er aktivert på enheten din. Åpne Ooni-appen og naviger til Ooni Connect-fanen.

Trykk på temperatursyklusknappen på Ooni Connect™ Digital Temperature Hub i 3 sekunder til Bluetooth-statusindikatoren begynner å blinke. Følg instruksjonene i Ooni-appen for å koble til enheten.

En vellykket tilkobling vil føre til at Bluetooth-statusindikatoren slutter å blinke og forblir opplyst.

Hvis Bluetooth-statusindikatoren begynner å blinke raskt, betyr det at det er et problem med tilkoblingen. Prøv å starte sammenkoblingsprosessen på nytt hvis problemet vedvarer.

i Hvis det ikke opprettes en tilkobling, vil Bluetooth slå seg av etter kort tid.

5.6 | Avlese matsonden

Påse at matsondeen er koblet til riktig inngang, temperaturen vil da vises på skjermen.

Når du bruker matsonden: fjern hetten og påse deretter at den settes inn i den tykkeste delen av kjøttet, og sørg for å unngå ben og fett.

i Den delen av matsonden som går inn i kjøttet skal ikke eksponeres for temperaturer over 250 °C (480 °F).

⚠ ADVARSEL

Før og etter bruk må du rengjøre matsonden med varmt såpevann og tørke den med en gang. Pass på at ledningen ikke kommer under vann.

Vær forsiktig når du håndterer matsonden da den er skarp.

Bruk alltid varmebestandige hansker ved håndtering av matsonden når den er varm.

Ikke bruk matsondene ved temperaturer over 450 °C (842 °F).

5.7 | Endre måleenheten

Bruk et kort, enkelt trykk på strømknappen for å veksle mellom Celsius (°C) og Fahrenheit (°F).

5.8 | Øko-modus

Bruk et langt trykk på bakgrunnsbelysningsknappen for å veksle mellom full lysstyrke og Eco-modus. Når du er i Eco-modus, vil et kort trykk på en hvilken som helst knapp lyse opp skjermen fullt ut i en kort periode.

5.9 | Advarsel om lavt batteri

Når batteriene går mot slutten vil det komme en advarsel om lavt batteri som angir at du må bytte batterier så snart det er mulig.

ADVARSEL

Sørg alltid for at ovnen og temperaturnavet er helt avkjølt før du bytter batterier.

5.10 | Høy (Hi) eller lav (Lo) temperatur

Ooni Connect™ Digital Temperature Hub er designet for å lese tilberedningstemperaturer mellom -30 °C (-22 °F) og 550 °C (999 °F) og matsondetemperaturer mellom 0 °C (32 °F) og 100 °C (212 °F).

 Hvis temperaturen er utenfor dette området, vil den relevante skjermen vise enten Hi eller Lo

6. Stell og vedlikehold

Ooni Connect™ Digital Temperature Hub: Tørk med en fuktig klut og tørk med en gang.

Matsonder: Før og etter bruk må du rengjøre matsonden med varmt såpevann og tørke den med en gang. Pass på at ledningen ikke kommer under vann. Tåler ikke oppvaskmaskin.

Oppbevar din Ooni Connect™ Digital Temperature Hub innendørs og ved lengre perioder uten bruk bør batteriet fjernes for å forlenge batteriets levetid.

 Senk aldri Ooni Connect™ Digital Temperature Hub, matsonde eller ledninger i vann.

Feilsøking

Problem	Mulig årsak	Løsning
Min Ooni Connect™ Digital Temperature Hub vil ikke koble til enheten min.	<ol style="list-style-type: none"> 1. Enheten din var ikke en av de seneste tilkoblingene. 2. For langt unna for enheten. 3. Ukjent grunn. 	<ol style="list-style-type: none"> 1. Følg trinnene for Bluetooth-paring (5.5) for å koble til enheten på nytt. 2. Sørg for at du er innenfor 10 m (33 fot) fra enheten med fri sikt. 3. Prøv å bruke tilbakestillingsknappen for å fjerne alle eksisterende Bluetooth-tilkoblinger, og følg deretter trinnene for å starte på nytt.
Omgivelsestemperatur / matsondetemperatur vises ikke på displayet	<ol style="list-style-type: none"> 1. Tilkoblingen kan være skitten. 2. Omgivelsestemperaturkabelen er ikke koblet til ovnen. 3. Sondene/sensoren kan være koblet til feil inngang. 4. Sonden kan være skadet. 	<ol style="list-style-type: none"> 1. Fjern sonden/sensoren fra Ooni Connect™ Digital Temperature Hub og fra ovnen. Rengjør forsiktig med en fuktig klut. La det tørke helt og sett det inn i enheten igjen. 2. Kontroller at omgivelsestemperaturkabelen er koblet til riktig port på ovnen. Prøv å ta den ut og sette den inn igjen hvis den er det. 3. Kontroller at du har riktig omgivelsessensor og stekermometer koblet til riktig inngang. 4. Prøv å sette sonden inn i en annen inngang. Hvis det fungerer kan det være et problem med enheten, hvis det ikke fungerer kan det være et problem med sonden. Kontakt Ooni-støtte.
Sensoravlesningene for omgivelsestemperatur er ikke nøyaktige.	<ol style="list-style-type: none"> 1. Sondene kan være koblet til feil inngang. 2. Sensoren i ovnen kan være skitten. 3. Kalibreringsinnstillingene til enheten er endret. 4. Feil ovns-ID er valgt. 	<ol style="list-style-type: none"> 1. Kontroller at du har riktig omgivelsessensor koblet til riktig inngang. 2. Etter å ha sørget for at ovnen er helt kald, strekk hånden forsiktig inn i ovnen og rengjør forsiktig temperatursensoren med en fuktig klut. 3. Last ned Ooni-appen og koble til enheten din. Dette vil oppdatere din digitale temperaturhub. Hvis problemene fortsetter kan du bruke fabrikkinnstillingsknappen for å sette enheten tilbake til opprinnelig kalibrering. 4. Følg trinnene ovenfor for å endre ovns-ID eller bruke tilbakestilling til fabrikkstandard.
Skjermen er svak eller vil ikke slå seg på i det hele tatt.	<ol style="list-style-type: none"> 1. Batteriet er nesten eller er allerede tomt. 2. Ooni Connect™ Digital Temperature Hub er i Eco-modus. 	<ol style="list-style-type: none"> 1. Etter å ha sørget for at ovnen er helt kald, følg trinnen i denne håndboken for å bytte ut batteriene. 2. Et langt trykk på bakgrunnsbelysningsknappen vil returnere produktet til full lysstyrke.
Avlesningen for omgivelsestemperatur er høy, men maten blir ikke ordentlig stekt.	Stein er kanskje ikke varm nok. Det vil ta lenger tid for steinen å forhåndsoppvarmes enn ovnens omgivelsestemperatur.	Gi steinen din mer tid til å forvarme. Bruk et Ooni digitalt infrarødt termometer for å få en nøyaktig avlesning av steintemperaturen.
Min Ooni Connect™ Digital Temperature Hub reagerer ikke.	Det kan være et problem med programvaren som er knyttet til enheten.	Ta ut batteriene og sett dem inn igjen.
Jeg har et problem som ikke er oppført her.	Du har oppdaget et nytt problem!	Kontakt support.ooni.com



Denne merkingen indikerer at dette produktet ikke skal kastes sammen med annet husholdningsavfall i hele EU og Storbritannia. For å forhindre mulig skade på miljøet eller menneskers helse fra ukontrollert avfallshåndtering, resirkuler det på en ansvarlig måte for å fremme bærekraftig gjenbruk av materialkilder. For å returnere den brukte enheten, vennligst bruk retur- og innsamlingssystemene eller kontakt forhandleren der dette produktet ble kjøpt. De kan ta dette produktet for miljø sikker resirkulering.

Du må ha en fungerende internettilkobling for at Ooni-appen skal fungere.

Vi anbefaler at du oppdaterer til den nyeste versjonen av iOS og Android for å betjene Ooni-appen.

Din mobile enhet må ha støtte for Bluetooth trådløs teknologi 4.0 (Bluetooth® trådløs teknologi lav energi) for å konfigurere en tilkobling med dette utstyret. Sjekk enhetsspesifikasjonen for kompatibilitet.

- BLE 2.4 GHz
- 2,4 GHz, 2,5 mW

Bluetooth® ordmerke og logoer er registrerte varemerker som eies av Bluetooth SIG, Inc. og enhver bruk av slike merker av Ooni Limited er under lisens. Andre varemerker og handelsnavn tilhører deres respektive eiere.

PORTUGUÊS

ADVERTÊNCIA

Leia as instruções antes de utilizar o Ooni Connect™ Digital Temperature Hub e guarde-as para referência futura.

As sondas alimentares e outras partes acessíveis podem estar quentes e afiadas. Mantenha as crianças pequenas afastadas.

Utilize apenas o Ooni Connect™ Digital Temperature Hub de acordo com as instruções deste manual.

Para evitar danos, monte apenas o Ooni Connect™ Digital Temperature Hub e encaminhe o(s) cabo(s) para o(s) local(is) indicado(s) neste manual.

As sondas alimentares são adequadas para uso em temperaturas de até 480 °F (250 °C). Não utilize este dispositivo a temperaturas superiores a esta ou sobre fogo vivo.

Não modifique o Ooni Connect™ Digital Temperature Hub.

ATENÇÃO

Lave à mão e seque as sondas alimentares antes da primeira utilização.

As sondas de alimentos não podem ser lavadas na máquina de lavar loiça.

Não utilize produtos químicos ou detergentes abrasivos para limpar as sondas alimentares.

Risco de explosão se a bateria for substituída por um tipo incorreto.

O Ooni Connect™ Digital Temperature Hub funciona com as sondas de alimentos Ooni; os outros acessórios poderão ser imprecisos, não funcionar ou causar danos potenciais.

Ooni Connect™ Digital Temperature Hub

Use o Ooni Connect™ Digital Temperature Hub para medições de temperatura precisas e imediatas em Celsius (°C) ou Fahrenheit (°F). Ligue a(s) sonda(s) alimentar(es) para obter o assado a baixa temperatura ou o bife grelhado perfeitos, e ligue-se à aplicação Ooni para monitorizar estes processos sem ter de tocar no forno.

0. O que vem na caixa

- a. Ooni Connect™ Digital Temperature Hub
- b. Suporte de montagem
- c. Porca de aperto (vem acoplada ao Hub)
- d. Cabo de temperatura ambiente
- e. Sonda alimentar
- f. Pilhas AA
- g. Parafusos de suporte

1. Botões e entradas:

- a. Botão de ligar/desligar (pressão prolongada)
 - Seletores °C / °F (pressão curta)
- b. Ciclo das temperaturas (pressão breve)
 - Ativação Bluetooth (pressão longa)
- c. Botão de retroiluminação
 - Modo ecológico (pressão prolongada)
 - Luz de fundo (pressão breve)
- d. Entrada da sonda alimentar 1
- e. Entrada de sonda alimentar 2 (opcional)
- f. Entrada de temperatura ambiente A
- g. Botão de reposição de fábrica

2. Ecrã

- a. Mostrador principal da temperatura
- b. Anel de temperatura
- c. Indicador °C
- d. Indicador °F
- e. Indicador de temperatura ambiente
- f. Indicador da sonda alimentar 1
- g. Mostrador da sonda alimentar 1
- h. Indicador da sonda alimentar 2 (opcional)
- i. Visor da sonda alimentar 2 (opcional)
- j. Indicador de estado Bluetooth
- k. Indicador de bateria fraca
- l. Indicador de modo ecológico

3. Instalação das pilhas

Remova os parafusos usando uma chave de fenda e remova a escotilha. Insira 2 pilhas AA. Recoloque a tampa no lugar e aperte os parafusos.

i Se você estiver armazenando o forno por mais de um mês, retire as baterias.

4. Configuração e montagem

4.1 | Fixação do Ooni Connect™ Digital Temperature Hub

- a. Usando 2x parafusos de suporte, prenda o suporte de montagem à parte inferior do forno.
- b. Fixe o Ooni Connect™ Digital Temperature Hub ao suporte utilizando a porca de aperto (fornecida com o Hub)

4.2 | Ligação do cabo de temperatura ambiente

- a. Ligue o cabo de temperatura ambiente à entrada na parte inferior do forno.
- b. Ligue a extremidade oposta à entrada correspondente na parte traseira do Ooni Connect™ Digital Temperature Hub.

4.3 | Fixação do cabo de temperatura do ar ambiente

Fixe o cabo na parte inferior do forno.

5. Usando o Ooni Connect™ Digital Temperature Hub

5.1 | Descarga da app da Ooni



Digitalizar para descarregar a app da Ooni

Configurar o seu Ooni Connect™ Digital Temperature Hub é simples, e a aplicação Ooni irá explicar-lhe cada passo. Se você já tem o aplicativo Ooni, certifique-se de atualizar para a versão mais recente.

5.2 | Ligar / desligar o dispositivo

- Ligue o dispositivo premindo brevemente o botão de ligar/desligar.
 - Desligue o dispositivo premindo longamente o botão de ligar/desligar.
- i** Desligue o dispositivo quando não estiver a ser utilizado para poupar bateria. O dispositivo desliga-se automaticamente após 45 minutos.

5.3 | Definição do ID do forno

Após de o ligar pela primeira vez, terá de definir o ID do forno do Ooni Connect™ Digital Temperature Hub. Use o botão Ciclo de temperatura e o botão Luz de fundo para alternar entre os números de identificação do forno até chegar ao correto.

O ID do forno para Ooni Karu 2 Pro é 002.

Confirme este ID do forno pressionando o botão de ligar/desligar.

5.4 | Alterar o ID do forno

Mantenha pressionados os botões Ciclo de temperatura e Luz de fundo juntos por 3 segundos para seleccionar novamente o ID do forno. Basta atualizar o ID do forno e confirmar a seleção.

5.5 | Ativar o emparelhamento Bluetooth

Certifique-se de que o Bluetooth está ativado no seu dispositivo. Abra a app da Ooni e avance até ao separador Ooni Connect.

Prima o botão do ciclo das temperaturas no Ooni Connect™ Digital Temperature Hub durante 3 segundos até o indicador de estado do Bluetooth começar a piscar. Siga as instruções na aplicação Ooni para ligar o seu dispositivo.

Uma ligação bem-sucedida fará com que o indicador de estado do Bluetooth pare de piscar e permaneça iluminado.

Se o indicador de estado Bluetooth começar a piscar rapidamente, significa que existe um problema com a ligação. Tente reiniciar o processo de emparelhamento se o problema persistir.

i Se não for feita uma ligação, o Bluetooth desliga-se após um curto período de tempo.

5.6 | Leitura da sonda alimentar

Verifique se a sonda alimentar está ligada à entrada correta e, em seguida, a temperatura aparecerá no visor.

Ao usar a sonda alimentar, retire a tampa e, em seguida, certifique-se de que está inserida na parte mais espessa da carne, e certifique-se de evitar ossos ou gordura.

i A parte da sonda alimentar que penetra na carne não deverá ser exposta a temperaturas acima de 250 °C (480 °F).

⚠ AVISO

Antes e após o uso, limpe a sonda alimentar com água quente e sabão, tomando cuidado para não submergir o fio na água, e seque imediatamente.

Tenha cuidado ao manusear a sonda alimentar, uma vez que esta é afiada.

Use sempre luvas resistentes ao calor se manusear a sonda alimentar quando esta estiver quente.

Não utilize as sondas alimentares a temperaturas superiores a 450 °C (842 °F).

5.7 | Alterar a unidade de medida

Prima brevemente e uma única vez o botão de ligar/desligar para alternar entre graus Celsius (°C) e Fahrenheit (°F).

5.8 | Modo ecológico

Prima longamente o botão da luz de fundo para alternar entre o brilho normal e o modo ecológico. Quando no modo Eco, um toque curto de qualquer botão iluminará totalmente o ecrã durante um curto período de tempo.

5.9 | Aviso de bateria fraca

Quando as baterias estiverem acabando, o aviso de bateria fraca aparecerá indicando que você deve trocar as baterias na próxima oportunidade disponível.

⚠ AVISO

Certifique-se sempre de que o forno e o hub de temperatura arrefeceram completamente antes de trocar as pilhas.

5.10 | Alta (Hi) ou Baixa (Lo) Temperatura

O Ooni Connect™ Digital Temperature Hub foi projetado para ler temperaturas de cozimento entre -30 °C (-22 °F) e 550 °C (999 °F) e temperaturas da sonda alimentar entre 0°C (32°F) e 100°C (212°F).

i Se as temperaturas estiverem fora deste intervalo, o mostrador relevante mostrar Hi (alto) ou Lo (baixo).

6. Cuidados e manutenção

Ooni Connect™ Digital Temperature Hub: Limpe com um pano húmido e seque imediatamente.

Sondas alimentares: antes e depois de cada utilização, limpe o dispositivo com água quente e sabão, tendo o cuidado de não submergir o fio em água, e seque-o imediatamente. Não pode ser lavado na máquina de lavar louça.

Guarde o seu Ooni Connect™ Digital Temperature Hub no interior e por longos períodos sem utilização; Remova a bateria para prolongar a vida útil da bateria e evitar danos.

⚠ Nunca submerja o Ooni Connect™ Digital Temperature Hub, a sonda alimentar ou a cablagem na água.

Solução de problemas

Problema	Possível causa	Solução
O Ooni Connect™ Digital Temperature Hub não se liga ao meu dispositivo.	<ol style="list-style-type: none"> 1. O seu dispositivo não foi uma das ligações mais recentes. 2. O dispositivo está demasiado longe. 3. Razão desconhecida. 	<ol style="list-style-type: none"> 1. Siga os passos de emparelhamento do Bluetooth (5.5) para voltar a ligar o dispositivo. 2. Certifique-se de que está a menos de 10 m (33 pés) do dispositivo com uma linha de visão clara. 3. Tente usar o botão de redefinição de fábrica para remover todas as conexões Bluetooth existentes e siga as etapas para começar novamente.
A temperatura ambiente ou da sonda alimentar não aparece no mostrador	<ol style="list-style-type: none"> 1. A conexão pode estar suja. 2. O cabo da temperatura ambiente não está ligado ao forno. 3. As sondas ou o sensor podem estar ligados à entrada errada. 4. A sonda pode estar danificada. 	<ol style="list-style-type: none"> 1. Retire a sonda/sensor do Ooni Connect™ Digital Temperature Hub e do forno. Limpe suavemente com um pano húmido. Deixe secar completamente e volte a inserir no dispositivo. 2. Verifique se o cabo de temperatura ambiente está conectado à porta correta do forno. Tente removê-lo e reinstalá-lo, mesmo que esteja corretamente instalado. 3. Verifique se você tem o sensor ambiente e a sonda de alimentos corretos conectados à entrada correta. 4. Tente ligar a sonda à outra entrada. Se funcionar, poderá haver um problema com o dispositivo; se não funcionar, poderá haver um problema com a sonda. Entre em contato com o suporte da Ooni.
As leituras do sensor de temperatura ambiente não são precisas.	<ol style="list-style-type: none"> 1. As sondas podem estar conectadas à entrada errada. 2. O sensor no forno pode estar sujo. 3. As configurações de calibração do dispositivo foram alteradas. 4. O ID do forno errado foi selecionado. 	<ol style="list-style-type: none"> 1. Verifique se você tem o sensor ambiente correto conectado à entrada correta. 2. Certificando-se de que o forno está completamente frio, alcance cuidadosamente o interior e limpe suavemente o sensor de temperatura com um pano húmido. 3. Descarregue a app da Ooni e ligue-se ao dispositivo. Esse procedimento irá atualizar o Digital Temperature Hub. Se os problemas persistirem, use o botão de redefinição de fábrica para retornar o dispositivo à calibração original. 4. Siga os passos acima para alterar o ID do forno ou utilizar a reposição de fábrica.
O mostrador está pouco iluminado ou não chega a acender-se.	<ol style="list-style-type: none"> 1. A bateria está quase ou já está descarregada. 2. O Ooni Connect™ Digital Temperature Hub está no modo Eco. 	<ol style="list-style-type: none"> 1. Assim que o forno tenha arrefecido completamente, siga os passos descritos neste manual para trocar as pilhas. 2. Um longo toque no botão de luz de fundo devolverá o brilho total ao produto.
A leitura da temperatura ambiente é alta, mas minha comida não está cozinhando corretamente.	A pedra pode não ser quente o suficiente. A pedra demorará mais tempo a pré-aquecer do que a temperatura ambiente do forno.	Dê mais tempo à sua pedra para pré-aquecer. Use um termômetro infravermelho digital Ooni para obter uma leitura precisa da temperatura da pedra.
O Ooni Connect™ Digital Temperature Hub não reage.	Pode haver um problema com o software associado ao dispositivo.	Retire as baterias e reinstale-as.
Tenho um problema que não está listado aqui.	Você descobriu um novo problema!	Contacte support.ooni.com



Esta marcação indica que este produto não deve ser eliminado juntamente com outros resíduos domésticos em toda a UE e no Reino Unido. Para evitar possíveis danos ao ambiente ou à saúde humana decorrentes da eliminação não controlada de resíduos, recicle-os de forma responsável para promover a reutilização sustentável das fontes de materiais. Para devolver o seu dispositivo usado, utilize os sistemas de devolução e recolha ou contacte o revendedor onde este produto foi adquirido. Eles podem levar este produto para reciclagem ambientalmente segura.

Para que a app da Ooni funcione, é necessário ter uma ligação funcional à Internet. Recomendamos que atualize para a versão mais recente do iOS e Android para operar a aplicação Ooni.

O dispositivo móvel deve ser compatível com a tecnologia sem fios Bluetooth 4.0 (tecnologia sem fios Bluetooth® Low Energy) para se poder ligar ao aparelho. Verifique se o dispositivo é compatível nas respetivas especificações.

- BLE 2.4GHz
- 2.4GHz, 2.5mW

A marca nominativa e os logótipos Bluetooth® são marcas comerciais registadas propriedade da Bluetooth SIG, Inc. e qualquer utilização dessas marcas pela Ooni Limited é feita sob licença. Outras marcas comerciais e nomes comerciais são os de seus respetivos proprietários.

РУССКИЙ

ПРЕДУПРЕЖДЕНИЕ

Прочтите инструкции перед использованием цифрового термометра Ooni Connect™ Digital Temperature Hub и сохраните их для будущего использования.

Пищевые щупы и другие доступные части могут быть горячими и острыми. Держите маленьких детей на расстоянии.

Используйте цифровой термометр Ooni Connect™ Digital Temperature Hub только в соответствии с инструкциями в данном руководстве.

Во избежание повреждений устанавливайте только цифровой термометр Ooni Connect™ и проводите кабели в места, указанные в данном руководстве.

Зонды для пищевых продуктов подходят для использования при температурах до 480 °F (250 °C). Не используйте при температурах, превышающих это значение, или на открытом огне.

Не модифицируйте цифровой термометр Ooni Connect™.

ОСТОРОЖНОСТЬ

Вымойте вручную и высушите пищевые щупы перед первым использованием.

Пищевые щупы нельзя мыть в посудомоечной машине.

Не используйте химикаты или абразивные моющие средства для очистки пищевых щупов.

Опасность взрыва при замене аккумулятора на аккумулятор неподходящего типа.

Цифровой термометр Ooni Connect™ работает с пищевыми щупами Ooni; другие аксессуары могут быть неточными, не работать или потенциально привести к повреждению.

Ooni Connect™ Digital Temperature Hub

Используйте цифровой термометр Ooni Connect™ для точных мгновенных измерений температуры в градусах Цельсия (°C) или Фаренгейта (°F). Подключите пищевые щупы, чтобы получить идеальное жаркое или обжаренный стейк, и свяжитесь с приложением Ooni, чтобы контролировать все это, не трогая печь.

0. Что в коробке

- a. Ooni Connect™ Digital Temperature Hub
- b. Монтажный кронштейн
- c. Барашковая гайка (поставляется прикрепленной к устройству)
- d. Кабель для измерения температуры окружающей среды
- e. Пищевой щуп
- f. Батарейки типа AA
- g. Винты кронштейна

1. Кнопки и вводы:

- a. Кнопка питания (долгое нажатие)
Селектор °C / °F (короткое нажатие)
- b. Температурный цикл (короткое нажатие)
Активация Bluetooth (долгое нажатие)
- c. Кнопка подсветки
Экономичный режим (долгое нажатие)
Подсветка экрана (короткое нажатие)
- d. Вход пищевого щупа 1
- e. Вход пищевого щупа 2 (опционально)
- f. Вход для датчика температуры окружающей среды A
- g. Кнопка сброса к заводским настройкам

2. Экран

- a. Основной дисплей температуры
- b. Температурное кольцо
- c. Показатель °C
- d. Индикатор °F
- e. Индикатор температуры окружающей среды
- f. Индикатор пищевого щупа 1
- g. Дисплей пищевого щупа 1
- h. Индикатор пищевого щупа 2 (опционально)
- i. Дисплей пищевого щупа 2 (опционально)
- j. Индикатор состояния Bluetooth
- k. Индикатор низкого заряда батареи
- l. Индикатор экономичного режима

3. Установка батареек

Открутите винты с помощью отвертки и снимите люк. Вставьте 2 батарейки типа AA. Установите на место крышку и закрепите винты.

-  Если вы храните духовку более месяца, снимите батарейки.

4. Настройка и сборка

4.1 | Крепление Ooni Connect™ Digital Temperature Hub

- a. С помощью 2 винтов кронштейна прикрепите монтажный кронштейн к нижней стороне печи.
- b. Прикрепите Ooni Connect™ Digital Temperature Hub к кронштейну с помощью барашковой гайки (поставляется прикрепленной к устройству).

4.2 | Подключение кабеля для измерения температуры окружающей среды

- a. Подключите кабель температуры окружающей среды к входу на нижней стороне духовки.
- b. Подключите противоположный конец к соответствующему входу на задней панели Ooni Connect™ Digital Temperature Hub.

4.3 | Крепление кабеля для измерения температуры окружающего воздуха

Прикрепите кабель к нижней стороне духовки.

5. Использование Ooni Connect™ Digital Temperature Hub


5.1 | Скачать приложение Ooni



Отсканируйте для загрузки приложения Ooni

Настройка вашего Ooni Connect™ Digital Temperature Hub очень проста, и приложение Ooni поможет вам на каждом шагу. Если у вас уже установлено приложение Ooni, обязательно обновите его до последней версии.

5.2 | Включение/выключение устройства

- a. Включите устройство коротким нажатием кнопки включения.
 - b. Выключите устройство долгим нажатием на кнопку включения.
-  Выключайте устройство, когда оно не используется, чтобы сэкономить заряд батареи. Устройство автоматически выключится через 45 минут.

5.3 | Настройка идентификатора печи

После первого включения вам нужно будет установить идентификатор духовки для вашего Ooni Connect™ Digital Temperature Hub. Используйте кнопку „Температурный цикл“ и кнопку подсветки для переключения между номерами идентификатора духовки, пока не дойдете до нужного номера.

Идентификатор духовки Ooni Karu 2 Pro — 002.

Подтвердите этот идентификатор духовки, нажав кнопку сети.

5.4 | Изменение идентификатора печи

Нажмите и удерживайте кнопку температурного цикла и кнопку подсветки одновременно в течение 3 секунд, чтобы повторно выбрать идентификатор духовки. Просто обновите идентификатор устройства печи и подтвердите выбор.

5.5 | Активация сопряжения Bluetooth

Убедитесь, что на вашем устройстве включен Bluetooth. Откройте приложение Ooni и перейдите на вкладку Ooni Connect.

Нажмите кнопку переключения температурного режима на Ooni Connect™ Digital Temperature Hub и удерживайте ее в течение 3 секунд, пока индикатор состояния Bluetooth не начнет мигать. Следуйте инструкциям в приложении Ooni, чтобы подключить устройство.

При успешном подключении индикатор состояния Bluetooth перестанет мигать и останется горящим.

Если индикатор состояния Bluetooth начинает быстро мигать, это означает, что возникла проблема с подключением. Попробуйте перезапустить процесс сопряжения, если проблема не устранена.

i Если соединение не установлено, Bluetooth выключится через короткий промежуток времени.

5.6 | Чтение показаний щупа пищевых продуктов

Убедитесь, что пищевой щуп подключен к правильному входу, после чего на дисплее появится температура.

При использовании пищевого щупа снимите крышку, а затем убедитесь, что он вставлен в самую толстую часть мяса, и избегайте попадания в кости или жир.

i Часть пищевого щупа, которая входит в мясо, не должна подвергаться воздействию температур выше 250 °C (480 °F).

⚠ ПРЕДУПРЕЖДЕНИЕ

До и после использования промойте щуп горячей мыльной водой, стараясь не погружать провод в воду, и немедленно высушите.

Будьте осторожны при обращении с пищевым щупом, так как он острый.

Всегда надевайте термостойкие перчатки при работе с пищевым щупом, когда он горячий.

Не используйте пищевые щупы при температуре, превышающей 450 °C (842 °F).

5.7 | Изменение единиц измерения

Используйте короткое однократное нажатие кнопки питания для переключения между температурами Цельсия (°C) и Фаренгейта (°F).

5.8 | Экономичный режим

Используйте длительное нажатие кнопки подсветки для переключения между полной яркостью и экономичным режимом. В режиме Eco короткое нажатие любой кнопки полностью осветит дисплей на короткий промежуток времени.

5.9 | Предупреждение о низком заряде батареи


Когда батареи разряжены, появится предупреждение о низком заряде батареи, указывающее на то, что вам следует заменить батареи при первой же возможности.

ПРЕДУПРЕЖДЕНИЕ

Перед заменой батареек всегда убедитесь, что духовка и температурный хаб полностью остыли.

5.10 | Высокая (Hi) или низкая (Lo) температура

Цифровой термоконтроллер Ooni Connect™ предназначен для считывания температуры приготовления пищи от -30 °C (-22 °F) до 550 °C (999 °F) и температуры пищевого зонда от 0 °C (32 °F) до 100 °C (212 °F).


 Если температура находится за пределами этого диапазона, на соответствующем дисплее будет отображаться либо Hi, либо Lo.

6. Уход и обслуживание

Ooni Connect™ Digital Temperature Hub: протрите влажной тканью и немедленно высушите.

Зонды для пищевых продуктов: До и после каждого использования очищайте горячей мыльной водой, стараясь не погружать провод в воду, и немедленно высушите. Не подходит для мытья в посудомоечной машине.

Храните Ooni Connect™ Digital Temperature Hub в помещении. Если устройство не используется в течение длительного времени, извлеките батарею, чтобы продлить срок службы батареи и предотвратить повреждение.

 Никогда не погружайте цифровой термоконтроллер Ooni Connect™, пищевой щуп или проводку в воду.

Устранение неполадок

Проблема	Возможная причина	Решение
Цифровой термомонитор Ooni Connect™ не подключается к моему устройству.	<ol style="list-style-type: none"> 1. Ваше устройство не было среди последних подключений. 2. Слишком далеко для устройства. 3. Причина неизвестна. 	<ol style="list-style-type: none"> 1. Следуйте инструкциям по сопряжению Bluetooth (5.5), чтобы повторно подключить ваше устройство. 2. Убедитесь, что вы находитесь в пределах 10 м от устройства. 3. Попробуйте использовать кнопку сброса к заводским настройкам, чтобы удалить все существующие соединения Bluetooth, затем следуйте инструкциям, чтобы начать заново.
Температура окружающей среды / температура пищевого щупа не отображается на дисплее.	<ol style="list-style-type: none"> 1. Соединение может быть загрязнено. 2. Кабель температуры окружающей среды не подключен к духовке. 3. Щупы / датчик могут быть подключены не к тому входу. 4. Щуп может быть поврежден. 	<ol style="list-style-type: none"> 1. Извлеките щуп / датчик из Ooni Connect™ Digital Temperature Hub и из печи. Аккуратно очистите влажной тканью. Дайте полностью высохнуть и снова вставьте в устройство. 2. Убедитесь, что кабель температуры окружающей среды подключен к правильному порту духовки. Попробуйте удалить и переустановить, даже если он правильно подключен. 3. Убедитесь, что датчик окружающей среды и пищевой щуп подключены к правильному входу. 4. Попробуйте подключить щуп к другому входу, если щуп работает, возможно, проблема в устройстве, если нет, возможно, проблема в щупе. Обратитесь в службу поддержки Ooni.
Показания датчика температуры окружающей среды неточны.	<ol style="list-style-type: none"> 1. Щупы могут быть подключены не к тому входу. 2. Датчик в печи может быть грязный. 3. Настройки калибровки прибора были изменены. 4. Выбран неверный идентификатор духовки. 	<ol style="list-style-type: none"> 1. Убедитесь, что правильный датчик окружающей среды подключен к правильному входу. 2. Убедившись, что духовка полностью остыла, осторожно загляните внутрь и аккуратно очистите датчик температуры влажной тканью. 3. Загрузите приложение Ooni и подключитесь к своему устройству. Это обновит ваш цифровой температурный хаб. Если проблема не устранена, используйте кнопку сброса к заводским настройкам, чтобы вернуть устройство к исходной калибровке. 4. Выполните описанные выше действия, чтобы изменить идентификатор устройства или использовать сброс к заводским настройкам.
Дисплей тусклый или вообще не включается.	<ol style="list-style-type: none"> 1. Аккумулятор почти или уже разряжен. 2. Ooni Connect™ Digital Temperature Hub находится в экономичном режиме. 	<ol style="list-style-type: none"> 1. Убедившись, что устройство полностью остыло, следуйте инструкциям, изложенным в этом руководстве, чтобы заменить батареи. 2. Длительное нажатие на кнопку подсветки вернет изделие полную яркость.
Показания температуры окружающей среды высокие, но моя еда не готовится должным образом.	Камень может оказаться недостаточно теплым. Камень будет нагреваться дольше, чем температура внутри духовки.	Дайте камню больше времени для предварительного нагрева. Используйте цифровой инфракрасный термометр Ooni, чтобы получить точные показания температуры камня.
Мой Ooni Connect™ Digital Temperature Hub не реагирует.	Возможно, проблема связана с программным обеспечением, связанным с устройством.	Извлеките батарейки и установите их на место.
У меня есть проблема, которая здесь не указана.	Вы обнаружили новую проблему!	Свяжитесь с support.ooni.com



Эта маркировка указывает на то, что этот продукт нельзя выбрасывать вместе с другими бытовыми отходами на всей территории ЕС и Великобритании. Чтобы предотвратить возможный вред окружающей среде или здоровью человека от неконтролируемой утилизации отходов, ответственно относитесь к их переработке, способствуя устойчивому повторному использованию материальных источников. Чтобы вернуть использованное устройство, воспользуйтесь системами возврата и сбора или обратитесь к продавцу, у которого был приобретен этот продукт. Этот продукт можно сдать для экологически безопасной переработки.

У вас должно быть активное подключение к Интернету, чтобы приложение Ooni работало.

Мы рекомендуем вам обновиться до последней версии iOS и Android для работы с приложением Ooni.

Ваше мобильное устройство должно поддерживать беспроводную технологию Bluetooth 4.0 (беспроводная технология Bluetooth® с низким энергопотреблением) для настройки соединения с прибором. Проверьте спецификации вашего устройства на совместимость.

– BLE 2,4 ГГц

– 2,4 ГГц, 2,5 мВт

Словесный товарный знак и логотипы Bluetooth® являются зарегистрированными товарными знаками, принадлежащими Bluetooth SIG, Inc., и любое использование таких знаков компанией Ooni Limited осуществляется по лицензии. Другие товарные знаки и фирменные наименования принадлежат их соответствующим владельцам.

SUOMI

VAROITUS

Lue ohjeet ennen Ooni Connect™ Digital Temperature Hubin käyttöä ja säilytä ne myöhempää tarvetta varten.

Ruoka-anturit ja muut saatavilla olevat osat voivat olla kuumia ja teräviä. Pidä pienet lapset loitolla.

Käytä Ooni Connect™ Digital Temperature Hubia vain tämän käyttöohjeen ohjeiden mukaisesti.

Vaurioiden välttämiseksi asenna Ooni Connect™ Digital Temperature Hub ja reitit kaapelit tässä käyttöohjeessa kuvatulla tavalla.

Ruoka-anturit soveltuvat käytettäväksi jopa 250 °C (480°F) lämpötiloissa. Älä käytä ylittävissä lämpötiloissa tai avotulella.

Älä muokkaa Ooni Connect™ Digital Temperature Hubia.

VAROITUS

Pese ja kuivaa ruoka-anturit käsin ennen ensimmäistä käyttöä.

Ruoka-antureita ei voi pestä astianpesukoneessa.

Älä käytä kemikaaleja tai hankaavia pesuaineita ruoka-anturien puhdistamiseen.

Räjähdysvaara, jos paristo korvataan väärän tyyppisellä paristolla.

Ooni Connect™ Digital Temperature Hub toimii Ooni-ruoka-antureiden kanssa; muut anturit voivat olla epätarkkoja, eivät toimi tai voivat aiheuttaa vahinkoa.

Ooni Connect™ Digital Temperature Hub

Käytä Ooni Connect™ Digital Temperature Hubia tarkkoihin ja välittömiin lämpötilamittauksiin Celsius (°C) tai Fahrenheit (°F) asteissa. Yhdistä ruoka-anturit saadaksesi täydellisen hitaasti paahdetun tai paistetun pihvin, ja muodosta yhteys Ooni-sovellukseen seurataksesi kaikkea tätä ilman, että sinun tarvitsee koskea uuniisi.

0. Pakkauksen sisältö

- a. Ooni Connect™ Digital Temperature Hub
- b. Kiinnike
- c. Peukalomutteri (kiinnitettynä hubiin)
- d. Ympäristön lämpötilakaapeli
- e. Ruoka-anturi
- f. AA-paristot
- g. Kiinnikkeen ruuvit

1. Painikkeet ja syötteen:

- a. Virtapainike (pitkä painallus)
°C / °F valitsin (lyhyt painallus)
- b. Lämpötilan vaihto (lyhyt painallus)
Bluetooth-aktivointi (pitkä painallus)
- c. Taustavalopainike
Eko-tila (pitkä painallus)
Taustavalaistus (lyhyt painallus)
- d. Ruoka-anturin liitäntä 1
- e. Ruoka-anturin liitäntä 2 (valinnainen)
- f. Ympäristön lämpötilan liitäntä A
- g. Tehdasasetusten palautuspainike

2. Näyttö

- a. Päälämpötilan näyttö
- b. Lämpötilarengas
- c. °C ilmaisin
- d. °F ilmaisin
- e. Ympäristölämpötilan ilmaisin
- f. Ruoka-anturi 1 -ilmaisin
- g. Ruoka-anturi 1 -näyttö
- h. Ruoka-anturi 2 -ilmaisin (valinnainen)
- i. Ruoka-anturi 2 -näyttö (valinnainen)
- j. Bluetooth-tilan ilmaisin
- k. Alhaisen paristovarauksen ilmaisin
- l. Eco-tilan ilmaisin

3. Asenna paristot

Irrota ruuvit ruuvimeisselillä ja poista luukku. Aseta laitteeseen 2x AA-paristoa. Asenna luukku ja kiinnitä ruuvit.

i Jos säilytät uunia yli kuukauden, poista paristot.

4. Asennus ja kokoonpano

4.1 | Ooni Connect™ Digital Temperature Hubin kiinnittäminen

- a. Kiinnitä asennuskiinnike uunin alapintaan 2x kiinnikeruuvilla.
- b. Kiinnitä Ooni Connect™ Digital Temperature Hub kiinnikkeeseen peukalomutterilla (tulee Hubin mukana).

4.2 | Ympäristön lämpötilakaapelin kiinnittäminen

- a. Kytke ympäristön lämpötilan kaapeli uunin alapuolella olevaan tuloon.
- b. Kytke vastakkainen pää vastaavaan tuloon Ooni Connect™ Digital Temperature Hubin takana.

4.3 | Ympäristön lämpötilakaapelin kiinnittäminen

Kiinnitä kaapeli uunin alapuolelle.

5. Ooni Connect™ Digital Temperature Hubin käyttö

5.1 | Lataa Ooni-sovellus



Lataa Ooni-sovellus skannaamalla

Ooni Connect™ Digital Temperature Hubin käyttöönotto on helppoa, ja Ooni-sovellus selittää sinulle jokaisen vaiheen. Jos sinulla on jo Ooni-sovellus, muista päivittää uusimpaan versioon.

5.2 | Laitteen käynnistys/sammutus

- a. Käynnistä laite painamalla virtapainiketta lyhyesti.
 - b. Sammuta laite painamalla virtapainiketta pitkään.
- i** Sammuta laite, kun sitä ei käytetä pariston säästämiseksi.
Laite sammuu automaattisesti 45 minuutin kuluttua.

5.3 | Uunin tunnuksen asettaminen

Ensimmäisen käynnistyksen jälkeen sinun on asetettava uunin tunnus Ooni Connect™ Digital Temperature Hubille. Käytä lämpötilan vaihtopainiketta ja taustavalopainiketta siirtyäksesi uunin tunnusnumeroiden välillä, kunnes löydät oikean numeron.

Ooni Karu 2 Pro:n uunitunnus on 002.

Vahvista tämä uunitunnus painamalla virtapainiketta.

5.4 | Uunitunnuksen muuttaminen

Valitse uunitunnus uudelleen pitämällä lämpötilan vaihtopainiketta ja taustavalopainiketta painettuna yhdessä 3 sekunnin ajan. Päivitä vain uunitunnus ja vahvista valinta.

5.5 | Bluetooth-pariliitoksen aktivointi

Varmista, että Bluetooth on käytössä laitteessasi. Avaa Ooni-sovellus ja siirry Ooni Connect -välilehdelle.

Paina Ooni Connect™ Digital Temperature Hubin lämpötilan vaihtopainiketta 3 sekunnin ajan, kunnes Bluetooth-tilan merkkivalo alkaa vilkkua. Yhdistä laite Ooni-sovelluksen ohjeiden mukaisesti.

Kun yhteys on muodostettu, Bluetooth-tilan ilmaisin lakkaa vilkkumasta ja pysyy valaistuna.

Jos Bluetooth-tilan merkkivalo alkaa vilkkua nopeasti, se tarkoittaa, että yhteydessä on ongelma. Yritä käynnistää pariliitos uudelleen, jos ongelma jatkuu.

i Jos yhteyttä ei muodosteta, Bluetooth sammuu lyhyen ajan kuluttua.

5.6 | Ruoka-anturin lukeminen

Tarkista, että ruoka-anturi on kytketty oikeaan tuloon, ja sitten lämpötila ilmestyy näytölle.

Kun käytät ruoka-anturia, poista korkki ja varmista sitten, että se on asetettu lihan paksuimpaan kohtaan välttäen luita ja rasvaa.

i Lihaan menevää ruoka-anturin osaa ei saa altistaa yli 250 °C:n (480 °F) lämpötiloille.

VAROITUS

Puhdista ruoka-anturi kuumalla saippuavedellä ennen käyttöä ja sen jälkeen varoen upottamasta johtoa veteen ja kuivaa välittömästi.

Ole varovainen käsitellessäsi ruoka-anturia, koska se on terävä.

Käytä aina kuumuutta kestäviä käsineitä, jos käsittelet ruoka-anturia kuumana.

Älä käytä ruoka-antureita yli 450 °C:n (842 °F) lämpötiloissa.

5.7 | Lämpötilayksikön vaihtaminen

Paina virtapainiketta lyhyesti vaihtaaksesi Celsius (°C) ja Fahrenheit (°F) -asteiden välillä.

5.8 | Ekotila

Käytä taustavalopainikkeen pitkää painallusta siirtyäksesi täyden kirkkauden ja Eco-tilan välillä. Eco-tilassa minkä tahansa painikkeen lyhyt painallus valaisee näytön kokonaan lyhyeksi ajaksi.

5.9 | Alhaisen paristovarauksen varoitus

Kun paristot ovat loppumassa, näyttöön tulee pariston alhaisen varauksen varoitus, joka osoittaa, että paristot on vaihdettava seuraavan tilaisuuden tullen.

VAROITUS

Varmista aina, että uuni ja lämpötilahubi ovat täysin jäähtyneet ennen paristojen vaihtamista.

5.10 | Korkea (Hi) tai matala (Lo) lämpötila

Ooni Connect™ Digital Temperature Hub on suunniteltu lukemaan ruoka-anturin lämpötilat välillä 0...100 °C (32...212 °F) ja kypsennyslämpötilat välillä -30...550 °C (-22...999 °F).

i Jos lämpötilat ovat tämän alueen ulkopuolella, asiaankuuluvassa näytössä näkyy joko Hi tai Lo.

6. Hoito ja huolto

Ooni Connect™ Digital Temperature Hub: Pyyhi kostealla liinalla ja kuivaa välittömästi.

Ruoka-anturit: Puhdista kuumalla saippuavedellä ennen ja jälkeen jokaista käyttöä varoen upottamasta johtoa veteen ja kuivaa välittömästi. Ei saa pestä astianpesukoneessa.

Säilytä Ooni Connect™ Digital Temperature Hubia sisällä ja jos sitä ei käytetä pitkään aikaan; poista paristot, jotta pariston käyttöikä pidentyy ja vältät vauriot.

⚠ Älä koskaan upota Ooni Connect™ Digital Temperature Hubia, ruoka-anturia tai johtoja veteen.

Vianetsintä

Ongelma	Mahdollinen syy	Ratkaisu
Ooni Connect™ Digital Temperature Hub ei muodosta yhteyttä laitteeseeni.	<ol style="list-style-type: none"> Laitteesi ei ollut yksi viimeisimmistä yhteyksistä. Liian kaukana laitteelle. Tuntematon syy. 	<ol style="list-style-type: none"> Noudata Bluetooth-pariliitosvaiheita (5.5) laitteen uudelleenkytkemiseksi. Varmista, että olet 10 metrin (33 jalan) päässä laitteesta ja että näköyhteys on selkeä. Yritä käyttää tehdasasetusten palautuspainiketta poistaaksesi kaikki olemassa olevat Bluetooth-yhteydet ja noudata sitten ohjeita aloittaaksesi alusta.
Ympäristön lämpötila / ruoka-anturin lämpötila ei näy näytössä	<ol style="list-style-type: none"> Liitäntä voi olla likainen. Ympäristön lämpötilan mittauskaapelia ei ole kytketty uuniin. Anturit on ehkä kytketty väärään tuloon. Anturi saattaa olla vaurioitunut. 	<ol style="list-style-type: none"> Irrota anturi Ooni Connect™ Digital Temperature Hubista ja uunista. Puhdista varovasti kostealla liinalla. Anna kuivua kokonaan ja aseta se takaisin laitteeseen. Tarkista, että ympäristön lämpötilan kaapeli on kytketty uunin oikeaan porttiin. Yritä poistaa ja asentaa kaapeli uudelleen, vaikka se olisi kytketty oikein. Tarkista, että oikea ympäristön lämpötilan anturi ja ruoka-anturi on kytketty oikeaan tuloon. Yritä kytkeä anturi toiseen tuloon, jos anturi toimii, laitteessa voi olla ongelma, jos ei, anturissa voi olla ongelma. Ota yhteyttä Ooni-tukeen.
Ympäristön lämpötila-anturin lukemat eivät ole tarkkoja.	<ol style="list-style-type: none"> Anturit on ehkä kytketty väärään tuloon. Uunissa oleva anturi voi olla likainen. Laitteen kalibrointiasetuksia on muutettu. Väärä uunitunnus on valittu. 	<ol style="list-style-type: none"> Tarkista, että oikea ympäristön lämpötilan anturi on kytketty oikeaan tuloon. Varmista, että uuni on täysin kylmä, työnnä kätesi varovasti sisään ja puhdista lämpötila-anturi varovasti kostealla liinalla. Lataa Ooni-sovellus ja muodosta yhteys laitteeseesi. Tämä päivittää Digital Temperature Hubin. Jos ongelmat jatkuvat, palauta laite alkuperäiseen kalibrointiin käyttämällä tehdasasetusten palautuspainiketta. Noudata yllä olevia ohjeita muuttaaksesi uunin tunnusta tai palauttaaksesi tehdasasetukset.
Näyttö on heikko tai ei syty ollenkaan.	<ol style="list-style-type: none"> Akku on lähes tai jo tyhjä. Ooni Connect™ Digital Temperature Hub on Eco-tilassa. 	<ol style="list-style-type: none"> Varmista, että uuni on täysin kylmä, ja noudata tässä ohjeessa annettuja ohjeita paristojen vaihtamiseksi. Taustavalopainikkeen pitkä painallus palauttaa tuotteen täyteen kirkkauteen.
Ympäristön lämpötilalukema on korkea, mutta ruokani ei kypsyy kunnolla.	Kivi ei ehkä ole tarpeeksi lämmin. Kiven esilämmitys kestää kauemmin kuin uunin sisälämpötila.	Anna kiven esilämmetä pidempään. Käytä Ooni-digitaalista infrapunalämpömittaria saadaksesi tarkan lukeman kiven lämpötilasta.
Ooni Connect™ Digital Temperature Hub ei reagoi.	Laitteeseen liittyvässä ohjelmistossa saattaa olla ongelma.	Poista paristot ja asenna ne uudelleen.
Minulla on ongelma, jota ei ole lueteltu tässä.	Olet löytänyt uuden ongelman!	Ota yhteyttä support.ooni.com



Tämä merkintä osoittaa, että tätä tuotetta ei saa hävittää muiden kotitalousjätteiden mukana koko EU:ssa ja Iso-Britanniassa. Jotta valvoton jätteiden hävittäminen ei aiheuttaisi haittaa ympäristölle tai ihmisten terveydelle, kierrätä ne vastuullisesti materiaalilähteiden kestävä uudelleenkäytön edistämiseksi. Jos haluat palauttaa käytetyn laitteen, käytä palautus- ja keräysjärjestelmiä tai ota yhteyttä jälleenmyyjään, jolta tuote ostettiin. He voivat viedä tämän tuotteen ympäristön kannalta turvalliseen kierrätykseen.

Sinulla on oltava aktiivinen internet-yhteys, jotta Ooni-sovellus toimii.

Suosittelemme, että päivität iOS:n ja Androidin uusimpaan versioon, jotta voit käyttää Ooni-sovellusta.

Mobiililaitteessasi täytyy olla langattoman Bluetooth-tekniikan 4.0 tuki (Bluetooth® Low Energy), jotta voit muodostaa yhteyden laitteeseen. Tarkista laitteen teknisistä tiedoista yhteensopivuus.

- BLE 2.4GHz
- 2.4GHz, 2.5mW

Bluetooth®-sanamerkki ja logot ovat Bluetooth SIG, Inc:n rekisteröityjä tavaramerkkejä, ja niitä käytetään Ooni Limitedin toimesta lisenssin alaisena. Muut tavaramerkit ja tuotenimet ovat omistajiensa omaisuutta.

VARNING

Läs instruktionerna innan du använder Ooni Connect™ Digital Temperature Hub och spara dem för framtida referens.

Matsonder och andra tillgängliga delar kan vara heta och vassa. Håll små barn borta.

Använd endast Ooni Connect™ Digital Temperature Hub enligt instruktionerna i denna handbok.

För att undvika skador, montera Ooni Connect™ Digital temperaturhubb enligt instruktionerna i denna handbok och led kablarna till de platser som handboken visar.

Livsmedelssonderna är lämpliga för användning vid temperaturer upp till 480 °F (250 °C). Använd inte vid temperaturer som överskrider denna eller på öppen låga.

Modifiera inte Ooni Connect™ Digital Temperature Hub.

VARNING

Handdiska och torka matsonderna innan du använder dem första gången.

Matsonderna tål inte diskmaskin.

Använd inte kemikalier eller slipande rengöringsmedel för att rengöra matsonderna.

Risk för explosion om batteriet byts ut mot en felaktig typ.

Ooni Connect™ Digital temperaturhubb fungerar med Ooni matsonder.

Andra tillbehör kan vara felaktiga, inte fungera eller potentiellt orsaka skada.

Ooni Connect™ Digital Temperature Hub

Använd Ooni Connect™ Digital Temperature Hub för noggranna och omedelbara temperaturmätningar i Celsius (°C) eller Fahrenheit (°F). Anslut matsond(-en/-erna) för att få den perfekta långsamma stekningen eller bryningen, och anslut till Ooni-appen för att övervaka allt detta utan att behöva röra din ugn.

0. Vad finns i boxen

- a. Ooni Connect™ Digital Temperature Hub
- b. Monteringsfäste
- c. Tumskruv (levereras fäst vid hubben)
- d. Kabel för omgivningstemperatur
- e. Matsond
- f. AA-batterier
- g. Fästsruvar

1. Knappar och ingångar:

- a. Strömknapp (långt tryck)
°C / °F-väljare (kort tryckning)
- b. Temperaturcykel (kort tryckning)
Bluetooth-aktivering (långt tryck)
- c. Knapp för bakgrundsbelysning
Eco-läge (långt tryck)
Bakgrundsbelysning (kort tryck)
- d. Matsond ingång 1
- e. Matsond ingång 2 (tillval)
- f. Ingång för omgivningstemperatur A
- g. Knapp för fabriksåterställning

2. Skärm

- a. Display för huvudtemperatur
- b. Temperaturring
- c. °C-indikator
- d. °F-indikator
- e. Indikator för omgivningstemperatur
- f. Matsond 1 indikator
- g. Matsond 1 display
- h. Matsond 2 indikator (tillval)
- i. Matsond 2 display (tillval)
- j. Statusindikator för Bluetooth
- k. Indikator för låg batterinivå
- l. Indikator för ekoläge

3. Installera batterier

Ta bort skruvarna med en skruvmejsel och ta bort luckan. Sätt i 2x AA-batterier. Sätt tillbaka luckan och fäst skruvarna.

i Om du förvarar ugnen i mer än en månad, ta bort batterierna.

4. Inställning och montering

4.1 | Ansluta Ooni Connect™ Digital temperaturhubb

- a. Använd 2x fästsruvar och fäst monteringsfästet på undersidan av ugnen.
- b. Fäst Ooni Connect™ Digital Temperature Hub på fästet med tummuttern (levereras ansluten till hubben).

4.2 | Fästa kabeln för omgivningstemperaturen

- a. Anslut kabeln för omgivningstemperatur till ingången på undersidan av ugnen.
- b. Anslut den motsatta änden till motsvarande ingång på baksidan av Ooni Connect™ Digital Temperature Hub.

4.3 | Fästa kabeln för den omgivande lufttemperaturen

Kläm fast kabeln på undersidan av ugnen.

5. Använda Ooni Connect™ Digital temperaturhubb

5.1 | Ladda ner Ooni-appen



Skanna för att ladda ner Ooni-appen

Det är enkelt att ställa in din Ooni Connect™ Digitala temperaturhubb, och Ooni-appen kommer att visa varje steg för dig. Om du redan har Ooni-appen, se till att uppdatera till den senaste versionen.

5.2 | Slå på/stänga av enheten

- a. Slå på enheten med ett kort tryck på strömbrytaren.
 - b. Stäng av enheten med ett långt tryck på strömbrytaren.
- i** Stäng av enheten när den inte används för att spara batteri. Enheten stängs av automatiskt efter 45 minuter.

5.3 | Inställning av ugns-ID

Efter den första påslagningen måste du ange ugns-ID för din Ooni Connect™ Digital temperaturhubb. Använd temperaturcykelknappen och bakljusknappen för att växla mellan ugns-ID-nummer tills du når den rätta.

Ugns-ID för Ooni Karu 2 Pro är 002.

Bekräfta detta ugns-ID genom att trycka på strömknappen.

5.4 | Ändra ugns-ID

Tryck och håll ned temperaturcykelknappen och bakljusknappen samtidigt i 3 sekunder för att välja ugns-ID igen. Uppdatera helt enkelt ugns-ID och bekräfta valet.

5.5 | Aktivera Bluetooth-parning

Se till att Bluetooth är aktiverat på din enhet. Öppna Ooni-appen och navigera till fliken Ooni Connect.

Tryck på temperaturcykelknappen på din Ooni Connect™ Digital Temperature Hub i 3 sekunder tills Bluetooth-statusindikatorn börjar blinka. Följ instruktionerna i Ooni-appen för att ansluta din enhet.

En lyckad anslutning gör att Bluetooth-statusindikatorn slutar blinka och förblir tänd.

Om Bluetooth-statusindikatorn börjar blinka snabbt betyder det att det finns ett problem med anslutningen. Försök att starta om ihopparningsprocessen om problemet kvarstår.

i Om en anslutning inte görs kommer Bluetooth att stängas av efter en kort tidsperiod.

5.6 | Avläsning av matsonden

Kontrollera att matsonden är ansluten till rätt ingång. Sedan visas temperaturen på displayen.

När du använder matsonden, ta bort locket och se sedan till att den sätts in i den tjockaste delen av köttet, och se till att undvika ben eller fett.

i Den del av matsonden som går in i köttet ska inte utsättas för temperaturer över 250 °C (480 °F).

⚠ VARNING

Före och efter användning, rengör matsonden med varmt tvålsvatten. Var noga med att inte doppa ner ledningen i vattnet och torka omedelbart.

Var försiktig när du hanterar matsonden eftersom den är vass.

Använd alltid värmebeständiga handskar om du hanterar matsonden när den är varm.

Använd inte matsonderna vid temperaturer över 450 °C (842 °F).

5.7 | Ändra måttenhet

Använd ett kort tryck på strömknappen för att växla mellan Celsius (°C) och Fahrenheit (°F).

5.8 | Eco-läge

Använd ett långt tryck på knappen för bakgrundsbelysning för att växla mellan full ljusstyrka och ekoläge. I Eco-läge kommer ett kort tryck på valfri knapp att lysa upp displayen helt under en kort tidsperiod.

5.9 | Varning för lågt batteri

När batterierna håller på att ta slut kommer varningen för lågt batteri att tändas vilket indikerar att du bör byta batterier vid nästa tillgängliga tillfälle.

⚠ VARNING

Se alltid till att ugnen och temperaturhubben är helt svala innan du byter batterier.

5.10 | Hög (Hi) eller låg (Lo) temperatur

Ooni Connect™ Digital temperaturhubb är designad för att läsa tillagningstemperaturer mellan -30 °C (-22 °F) och 550 °C (999 °F) och matsondtemperaturer mellan 0 °C (32 °F) och 100 °C (212 °F).

i Om temperaturerna ligger utanför detta intervall kommer den relevanta displayen att visa antingen Hi eller Lo.

6. Vård och underhåll

Ooni Connect™ Digital temperaturhubb: Torka av med en fuktig trasa och torka omedelbart.

Matsonder: Före och efter varje användning, rengör matsonden med varmt tvålatten. Var noga med att inte doppa ner kabeln i vattnet och torka omedelbart. Är inte lämplig för diskmaskin.

Förvara din Ooni Connect™ Digital Temperature Hub inomhus och under längre perioder utan användning; Ta bort batteriet för att förlänga batteriets livslängd och förhindra skador.

⚠ Sänk aldrig ner Ooni Connect™ Digital temperaturhubb, matsonden eller kablarna i vatten.

Felsökning

Problem	Möjlig orsak	Lösning
Min Ooni Connect™ Digital Temperature Hub kommer inte att ansluta till min enhet.	<ol style="list-style-type: none"> 1. Din enhet var inte bland de senaste som anslöts. 2. För långt bort för enheten. 3. Okänd anledning. 	<ol style="list-style-type: none"> 1. Följ stegen för Bluetooth-parning (5.5) för att återansluta din enhet. 2. Se till att du befinner dig inom 10 m (33 fot) från enheten med fri sikt. 3. Prova att använda fabriksåterställningsknappen för att ta bort alla befintliga Bluetooth-anslutningar och följ sedan stegen för att börja om.
Omgivningstemperatur/matsondstemperatur visas inte på displayen	<ol style="list-style-type: none"> 1. Anslutningen kan vara smutsig. 2. Kabeln för omgivningstemperatur är inte ansluten till ugnen. 3. Sonderna/sensorn kan vara anslut(-na/-en) till fel ingång. 4. Sonden kan vara skadad. 	<ol style="list-style-type: none"> 1. Ta bort sonden/sensorn från Ooni Connect™ Digital Temperature Hub och från ugnen. Rengör försiktigt med en fuktig trasa. Låt torka helt och sätt tillbaka den i enheten. 2. Kontrollera att kabeln för omgivningstemperatur är ansluten till rätt port på ugnen. Försök att ta bort och installera om även om den redan är det. 3. Kontrollera att du har rätt omgivningssensor och termometer anslutna till rätt ingång. 4. Försök att ansluta sonden till den andra ingången. Om det fungerar kan det vara fel på enheten. Om det inte fungerar kan det vara fel på sonden. Kontakta Ooni support.
Avläsningarna av sensorn för omgivningstemperatur är inte korrekta.	<ol style="list-style-type: none"> 1. Sonderna kan vara anslutna till fel ingång. 2. Sensorn i ugnen kan vara smutsig. 3. Enhetens kalibreringsinställningar har ändrats. 4. Fel ugn-ID har valts. 	<ol style="list-style-type: none"> 1. Kontrollera att du har rätt omgivningssensor ansluten till rätt ingång. 2. Se till att ugnen är helt kall, sträck försiktigt in handen och rengör försiktigt temperatursensorn med en fuktig trasa. 3. Ladda ner Ooni-appen och anslut till din enhet. Detta kommer att uppdatera din Digitala temperaturhubb. Om problemet kvarstår, använd fabriksåterställningsknappen för att återställa enheten till den ursprungliga kalibreringen. 4. Följ stegen ovan för att ändra ugn-ID eller använda fabriksåterställningen.
Skärmen är svag eller lyser inte alls.	<ol style="list-style-type: none"> 1. Batteriet är nästan eller redan urladdat. 2. Ooni Connect™ Digital Temperature Hub är i Eco-läge. 	<ol style="list-style-type: none"> 1. Försäkra dig om att ugnen är helt kall, och följ stegen som beskrivs i denna bruksanvisning för att byta batterierna. 2. Ett långt tryck på knappen för bakgrundsbelysning återställer produkten till full ljusstyrka.
Avläsningen av omgivningstemperaturen är hög men min mat tillagas inte ordentligt.	Sten kanske inte är tillräckligt varm. Stenen tar längre tid att förvärma än ugnens omgivningstemperatur.	Ge din sten mer tid att förvärmas. Använd en Ooni digital infraröd termometer för att få en exakt avläsning av stentemperaturen.
Min Ooni Connect™ Digital temperaturhubb svarar inte.	Det kan vara problem med programvaran som är kopplad till enheten.	Ta bort batterierna och sätt tillbaka dem.
Jag har ett problem som inte finns med här.	Du har upptäckt ett nytt problem!	Kontakta support.ooni.com



Denna märkning indikerar att denna produkt inte ska kasseras med annat hushållsavfall i hela EU och Storbritannien. För att förhindra eventuell skada på miljön eller människors hälsa från okontrollerad avfallshantering, återvinn det på ett ansvarsfullt sätt för att främja hållbar återanvändning av materialkällor. För att returnera din använda enhet, använd retur- och insamlingssystemen eller kontakta återförsäljaren där produkten köptes. De kan ta denna produkt för miljösäker återvinning.

Du måste ha en aktiv internetanslutning för att Ooni-appen ska fungera.

Vi rekommenderar att du uppdaterar till den senaste versionen av iOS och Android för att använda Ooni-appen.

Din mobila enhet måste ha stöd för trådlös Bluetooth-teknik 4.0 (Bluetooth® trådlös teknik Low Energy) för att kunna upprätta en anslutning till apparaten. Kontrollera enhetens specifikation för kompatibilitet.

- BLE 2,4 GHz
- 2,4 GHz, 2,5 mW

Bluetooth®-ordmärket och -logotyperna är registrerade varumärken som ägs av Bluetooth SIG, Inc. och all användning av sådana märken av Ooni Limited sker under licens. Andra varumärken och handelsnamn tillhör deras respektive ägare.

 **警告**

在使用数字测温仪（Ooni Connect™ Digital Temperature Hub）之前，
请阅读使用说明，并保留说明以备将来参考。

食物探针和其他可触及的部件可能会发热并且锋利。确保幼童远离设备。

必须仅按照本手册的说明使用该数字测温仪。

为避免损坏，请仅按照本手册指示的位置安装 Ooni Connect™ Digital Temperature Hub 并布线。

食物探针适用于最高温度 480 °F (250 °C) 的环境下使用。

请勿在超过此温度的环境或明火上使用。

请勿对 Ooni Connect™ 数字测温仪做出改动。

 **注意**

首次使用前，请手洗并擦干食物探针。

食物探针不能用洗碗机清洗。

请勿使用化学品或研磨性清洁剂清洁食物探针。

如果更换的电池类型不正确，则有爆炸危险。

Ooni Connect™ 数字测温仪与 Ooni 食物探针配合使用；其他配件可能不准确、
无法正常工作或可能导致损坏。

Ooni Connect™ 数字测温仪

使用 Ooni Connect™ 数字测温仪以摄氏度 (°C) 或华氏度 (°F) 进行准确
和即时的温度测量。连接食物探针以完成完美的慢烤或煎牛排，并连接上
Ooni 应用程序，无需触碰烤箱，温度监控尽在掌握。

0. 包装内容

- a. Ooni Connect™ 数字测温仪
- b. 安装支架
- c. 拇指螺帽（已安装在测温仪上）
- d. 环境温度电缆
- e. 食物探针
- f. AA 电池
- g. 支架螺丝

1. 按钮和输入：

- a. 电源按钮（长按）
°C / °F 选择器（短按）
- b. 温度循环（短按）
蓝牙激活（长按）
- c. 背光按钮
节能模式（长按）
背光（短按）
- d. 食物探针输入 1
- e. 食物探针输入 2（选件）
- f. 环境温度输入 A
- g. 恢复出厂设置按钮

2. 屏幕

- a. 主温度显示屏
- b. 温度环
- c. °C 指示灯
- d. °F 指示灯
- e. 环境温度指示灯
- f. 食物探针 1 指示灯
- g. 食物探针 1 显示器
- h. 食物探针 2 指示灯（选件）
- i. 食物探针 2 显示器（选件）
- j. 蓝牙状态指示灯
- k. 低电量指示灯
- l. 节能模式指示灯

3. 安装电池

使用螺丝刀卸下螺丝并取下舱盖。插入 2 节 AA 电池。
装回舱盖并拧紧螺丝。

i 如果您将烤箱存放超过一个月，请取出电池。

4. 安装和组装

4.1 | 安装 Ooni Connect™ 数字测温仪

- a. 用 2 个支架螺丝，将安装支架固定到烤箱的底部。
- b. 使用拇指螺帽（已安装在测温仪上）将 Ooni Connect™ 数字测温仪固定到支架上。

4.2 | 连接环境温度电缆

- a. 将环境温度电缆插入烤箱底部的输入端。
- b. 将另一端插入 Ooni Connect™ 数字测温仪背面的相应输入。

4.3 | 固定环境空气温度电缆

将电缆夹在烤箱底部。

5. 使用 Ooni Connect™ 数字测温仪

5.1 | 下载 Ooni 应用程序



扫一扫下载Ooni应用程序

设置 Ooni Connect™ 数字测温仪非常简单，Ooni 应用程序会指导您完成每个步骤。如果您已经拥有 Ooni 应用程序，请务必更新到最新版本。

5.2 | 开机/关机设备

- a. 短按电源按钮打开本机。
 - b. 长按电源按钮关闭本机。
- i** 不使用时关闭设备以节省电池电量。
设备将在 45 分钟后自动关闭。

5.3 | 设置烤箱 ID

第一次开机后，您需要为 Ooni Connect™ 数字测温仪设置烤箱 ID。使用温度循环按钮和背光按钮在烤箱 ID 号之间循环，直到达到正确的一个。

Ooni Karu 2 Pro 的烤箱 ID 是 002。

按电源按钮确认此烤箱 ID。

5.4 | 更改烤箱 ID

同时按住温度循环按钮和背光按钮 3 秒钟可重新选择烤箱 ID。只需更新烤箱 ID 并确认选择即可。

5.5 | 激活蓝牙配对

确保您的设备上已启用蓝牙。打开 Ooni 应用程序 并导航到 Ooni Connect 选项卡。

按住 Ooni Connect™ 数字测温仪上的温度循环按钮 3 秒钟，直到蓝牙状态指示灯开始闪烁。按照 Ooni 应用程序中的说明连接您的设备。

连接成功后，蓝牙状态指示灯将停止闪烁并保持常亮。

如果蓝牙状态指示灯开始快速闪烁，则表示连接有问题。如果问题仍然存在，请尝试重新启动配对过程。

i 如果未建立连接，蓝牙将在短时间内关闭。

5.6 | 查看食物探针读数

检查食物探针是否插入正确的输入端，然后温度将显示在显示屏上。

使用食物探针时，取下盖子，确保将其插入肉的最厚部分，并确保避开骨头或脂肪。

i 食物探针戳入肉类的部分，不应暴露在高于 250 °C (480 °F) 的温度下。

⚠ 警告

在使用前后，用热肥皂水清洁食物探针，注意不要将电线浸入水中，并立即擦干。

操作食物探针时要小心，因为探针很锋利。

如果在食品探针发热时操作，请务必戴上耐热手套。

请勿在超过 450 °C (842 °F) 的温度下使用食物探针。

5.7 | 更改度量单位

短按一下电源按钮可在摄氏度 (°C) 和华氏度 (°F) 之间循环。

5.8 | 节能模式

长按背光按钮可在全亮和 Eco 模式之间循环。在 Eco 模式下，短按任何按钮将在短时间内完全照亮显示屏。

5.9 | 低电量警告

电池快用完时，低电量警告会亮起，表明您应在下次可用时更换电池。

⚠ 警告

在更换电池之前，请务必确保烤箱和测温仪完全冷却。

5.10 | 高温 (Hi) 或低温 (Lo)

Ooni Connect™ 数字测温仪设计用于读取-30 °C (-22 °F) 和 550 °C (999 °F) 之间的烹饪温度和 0 °C (32 °F) 和 100 °C (212 °F) 之间的食物探针温度。

i 如果温度超出此范围，相关显示屏将显示 Hi 或 Lo。

6. 保养和维护

Ooni Connect™ 数字测温仪：用湿布擦拭并立即擦干。

食物探针：在每次使用前，用热肥皂水清洁，注意不要将电线浸入水中，并立即擦干。不能用洗碗机清洗。

Ooni Connect™ 数字测温仪在长时间不使用时应在室内存放；请取出电池，以延长电池寿命并防止损坏。

⚠ 切勿将 Ooni Connect™ 数字测温仪、食物探针或电线浸入水中。

故障排除

问题	可能的原因	解决方案
我的 Ooni Connect™ 数字测温仪无法连接到我的设备。	<ol style="list-style-type: none"> 1. 您的设备不是最近连接的设备之一。 2. 距离本机过远。 3. 原因不明。 	<ol style="list-style-type: none"> 1. 按照蓝牙配对步骤 (5.5) 重新连接您的设备。 2. 确保您位于距离设本机 10 米 (33 英尺) 以内且视线清晰的地方。 3. 尝试使用重置按钮删除所有现有的蓝牙连接, 然后按照步骤重新开始。
环境温度/食物探针温度未显示在显示屏上	<ol style="list-style-type: none"> 1. 连接处可能有脏污。 2. 环境温度电缆未插入烤箱。 3. 探针/传感器可能连接到错误的输入端。 4. 探针可能已损坏。 	<ol style="list-style-type: none"> 1. 从 Ooni Connect™ 数字测温仪和烤箱中取出探针/传感器。用湿布轻轻擦拭。待完全干燥后重新插入本机。 2. 检查环境温度电缆是否插入烤箱的正确端口。即使已正确插入, 也可尝试拔出并重新安装。 3. 检查您是否将正确的环境传感器和食物探针插入正确的输入。 4. 尝试将探针插入另一个输入端, 如果能正常工作, 则可能是本机出了问题; 如果不能正常工作, 则可能是探针出了问题。请联系 Ooni 支持。
环境温度传感器读数不准确。	<ol style="list-style-type: none"> 1. 探针可能连接到错误的输入端。 2. 烤箱中的传感器可能有脏污。 3. 设备的校准设置已更改。 4. 选择了错误的烤箱 ID。 	<ol style="list-style-type: none"> 1. 检查是否将正确的环境传感器插入了正确的输入端。 2. 在确保烤箱完全冷却的情况下, 小心地将手伸入烤箱内部, 用湿布轻轻擦拭温度传感器。 3. 下载 Ooni 应用程序并连接到您的设备。这将更新您的数字测温仪。如果问题仍然存在, 请使用出厂重置按钮将设备恢复到原始校准状态。 4. 按照上述步骤更改烤箱 ID 或使用恢复出厂设置。
显示屏亮度微弱或根本不亮。	<ol style="list-style-type: none"> 1. 电池电量即将或已经耗尽。 2. Ooni Connect™ 数字测温仪处于 Eco (节能) 模式。 	<ol style="list-style-type: none"> 1. 确保烤箱已完全冷却, 请按照本手册中概述的步骤更换电池。 2. 长按背光按钮将使产品恢复全亮度。
环境温度读数很高, 但我的食物没有煮熟。	石板可能不够热。石板预热会比烤箱的环境温度需要更长时间。	给石板更多时间预热。使用 Ooni 数字红外温度计来获得石板温度的准确读数。
我的 Ooni Connect™ 数字测温仪没有响应。	与本机关联的软件可能存在问题。	取出电池并重新安装。
我有一个未在此处列出的问题。	您发现了一个新问题!	请联系 support.ooni.com



此标记表明该产品不应与欧盟和英国的其他生活垃圾一起处理。为防止未经控制的废物处置对环境或人类健康可能造成的危害，应负责任地回收废物，以促进材料来源的可持续再利用。要退回您使用过的设备，请使用退回和收集系统，或联系您购买该产品所使用的零售商。他们可以对本产品进行环保回收。

要运行 Ooni 应用程序，您必须有实时网络连接。

我们建议您更新至 iOS 和 Android 的最新版本，以便运行 Ooni 应用程序。

您的移动设备必须支持蓝牙无线技术 4.0（蓝牙®低功耗无线技术）才能与设备建立连接。请查看设备规格以了解兼容性。

- BLE 2.4GHz
- 2.4GHz, 2.5mW

Bluetooth® 文字商标和徽标是 Bluetooth SIG, Inc. 的注册商标，Ooni Limited 对此类商标的使用均已获得许可。其他商标和商品名称归各自所有者拥有。

