

Broil King®

Broil King®
493055
493055UK
493055CH
493055EU
493055GBC



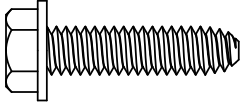

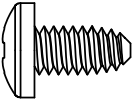
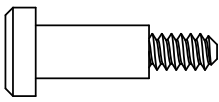
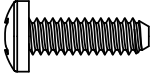
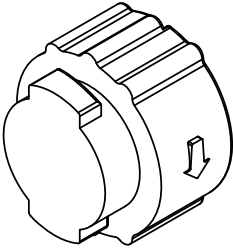
Broil King®
494055
494055UK
494055CH
494055EU
494055GBC





HARDWARE INCLUDED



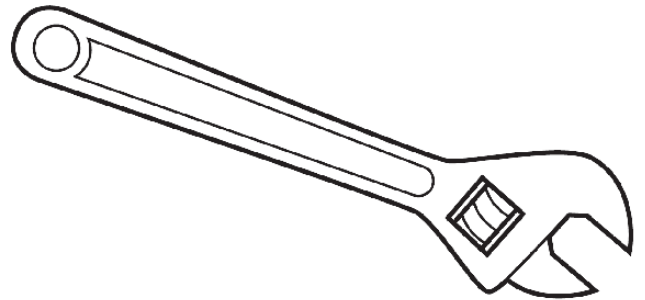
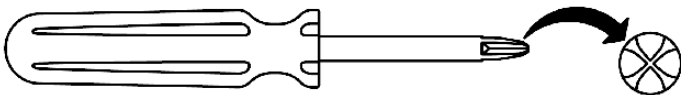
Y-12859S		X14	G01CH038		X2
Y-12865S		X8	63599-73		X2
Y-29304S		X2	49302-26		X1



TOOLS REQUIRED

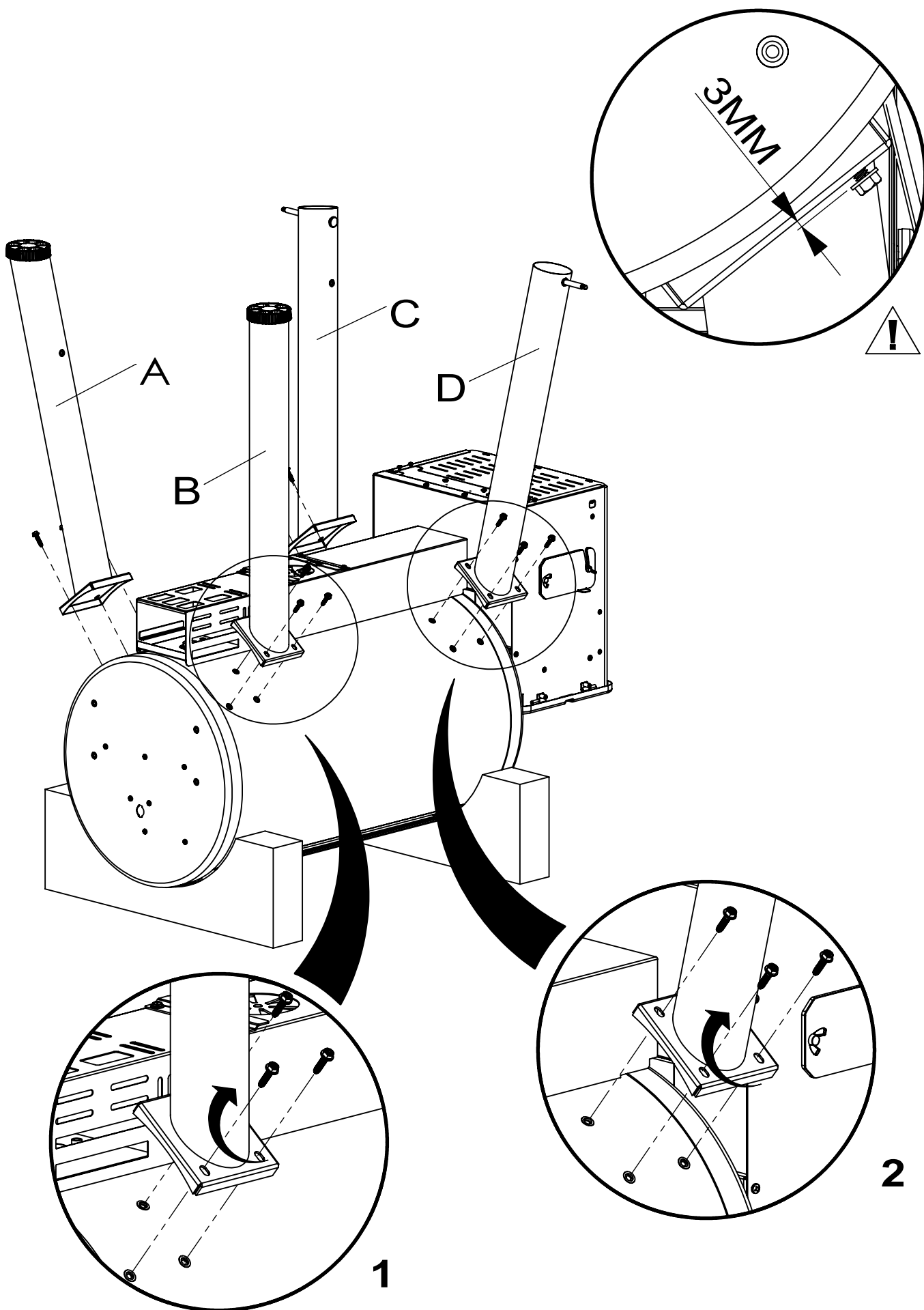
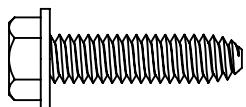


#3 PHILLIPS



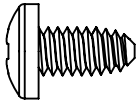
1

(12)

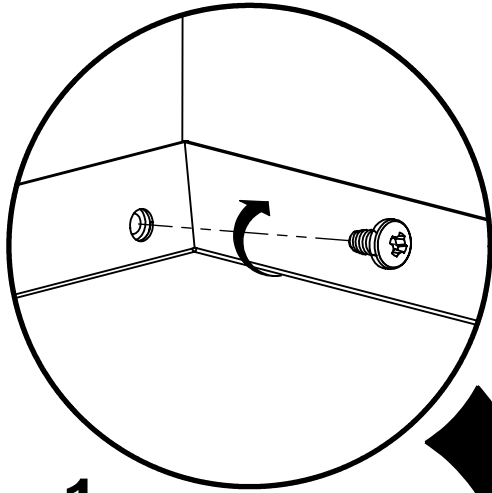
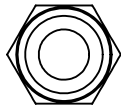


2

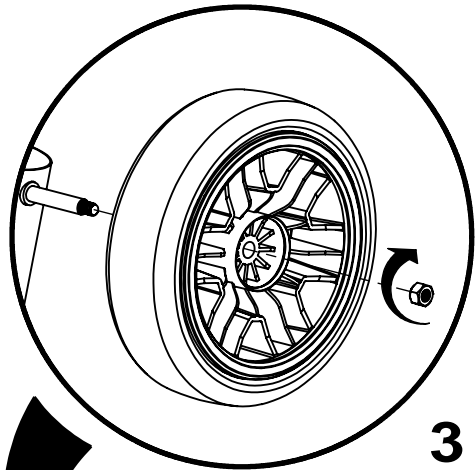
(4)



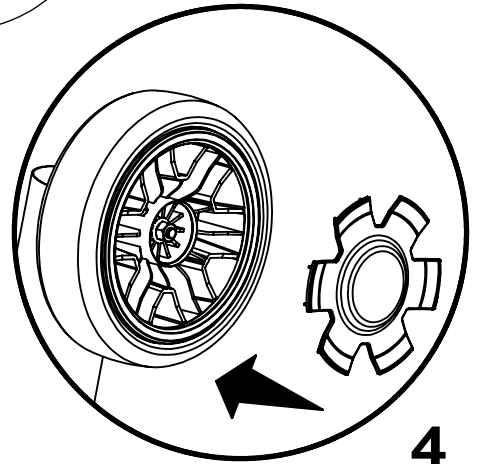
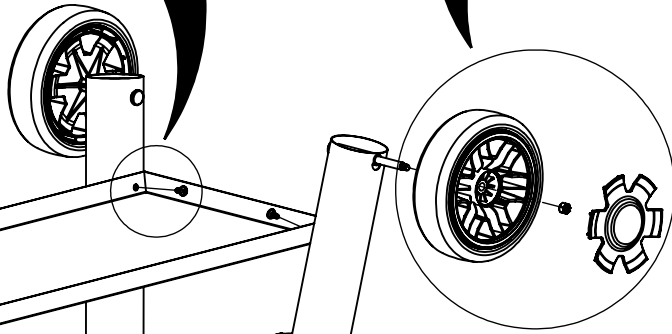
(2)



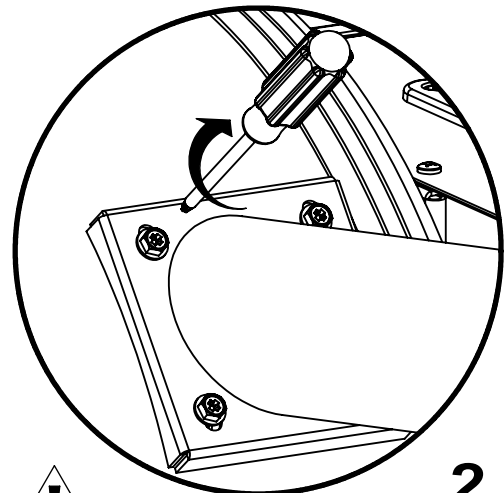
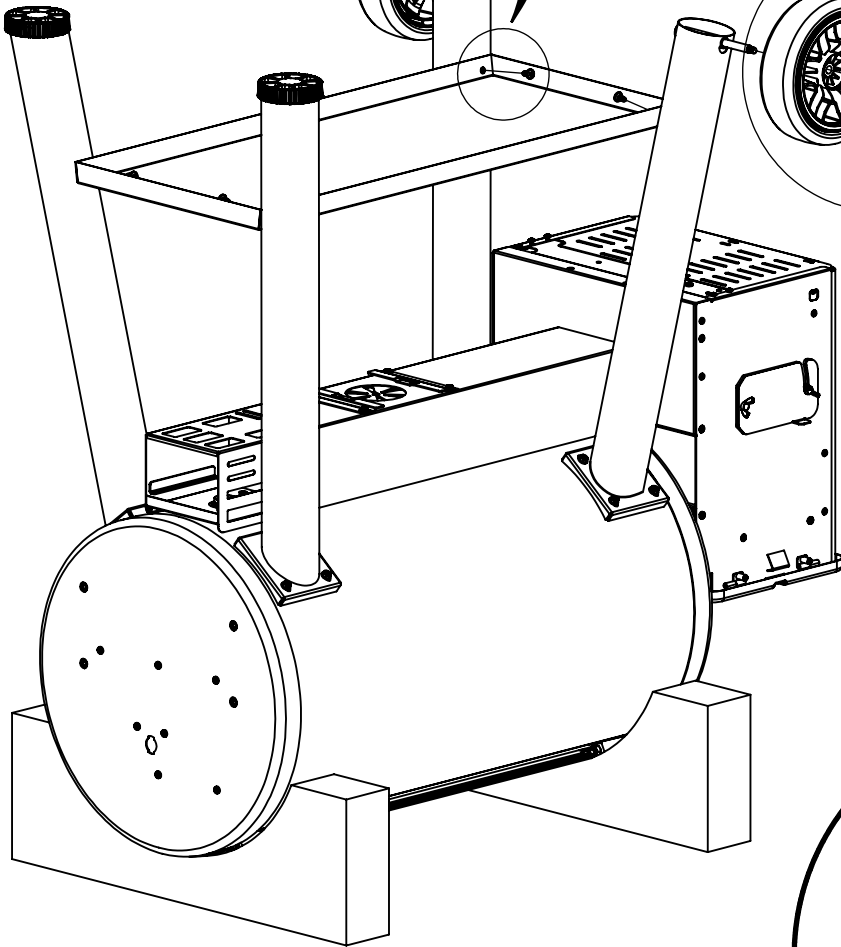
1



3

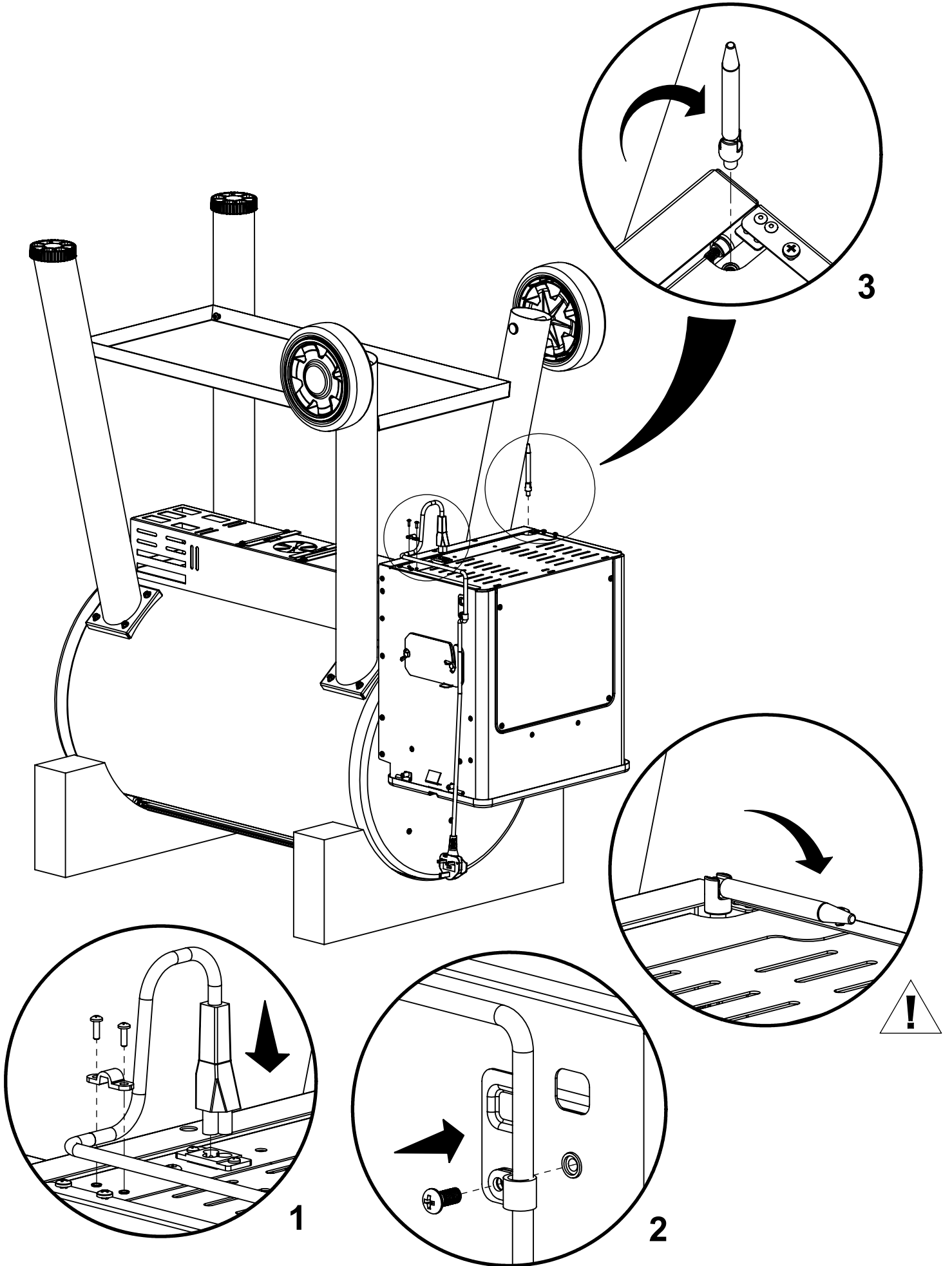


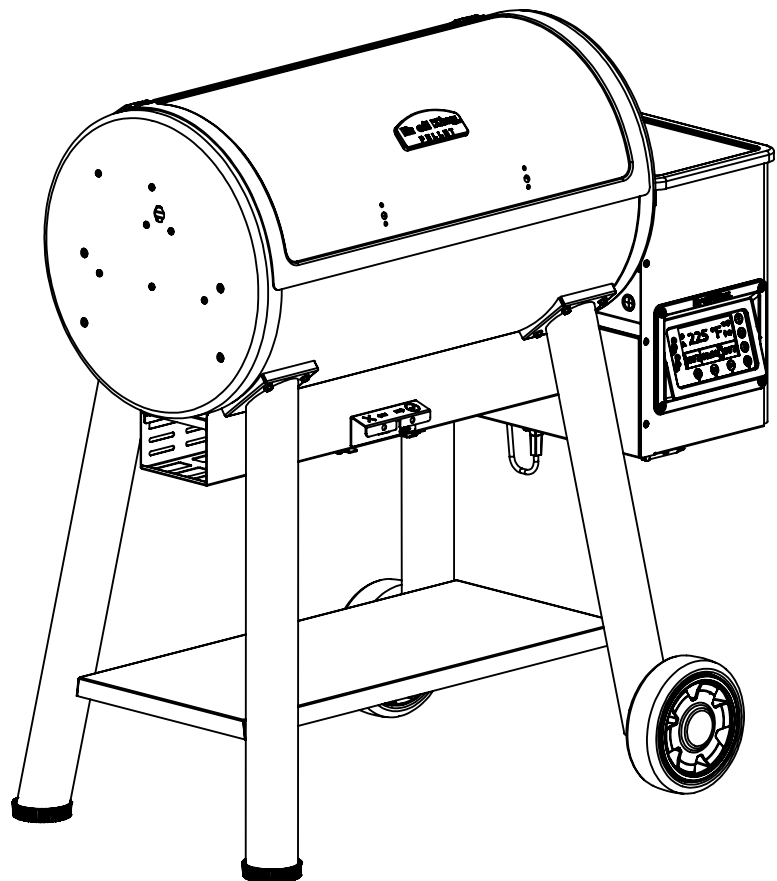
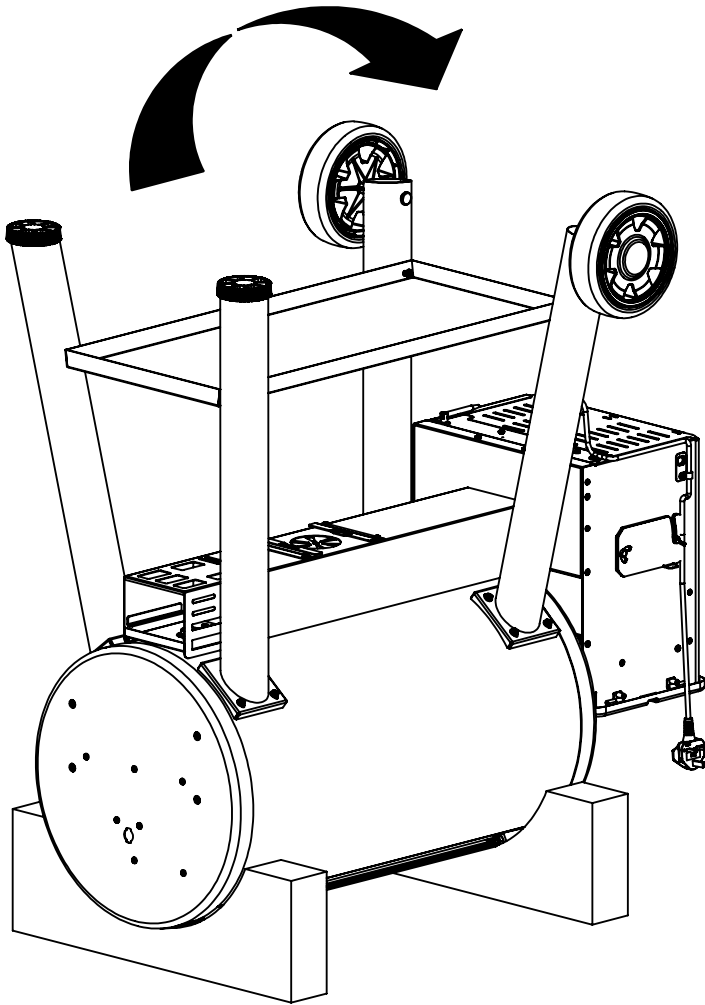
4



2

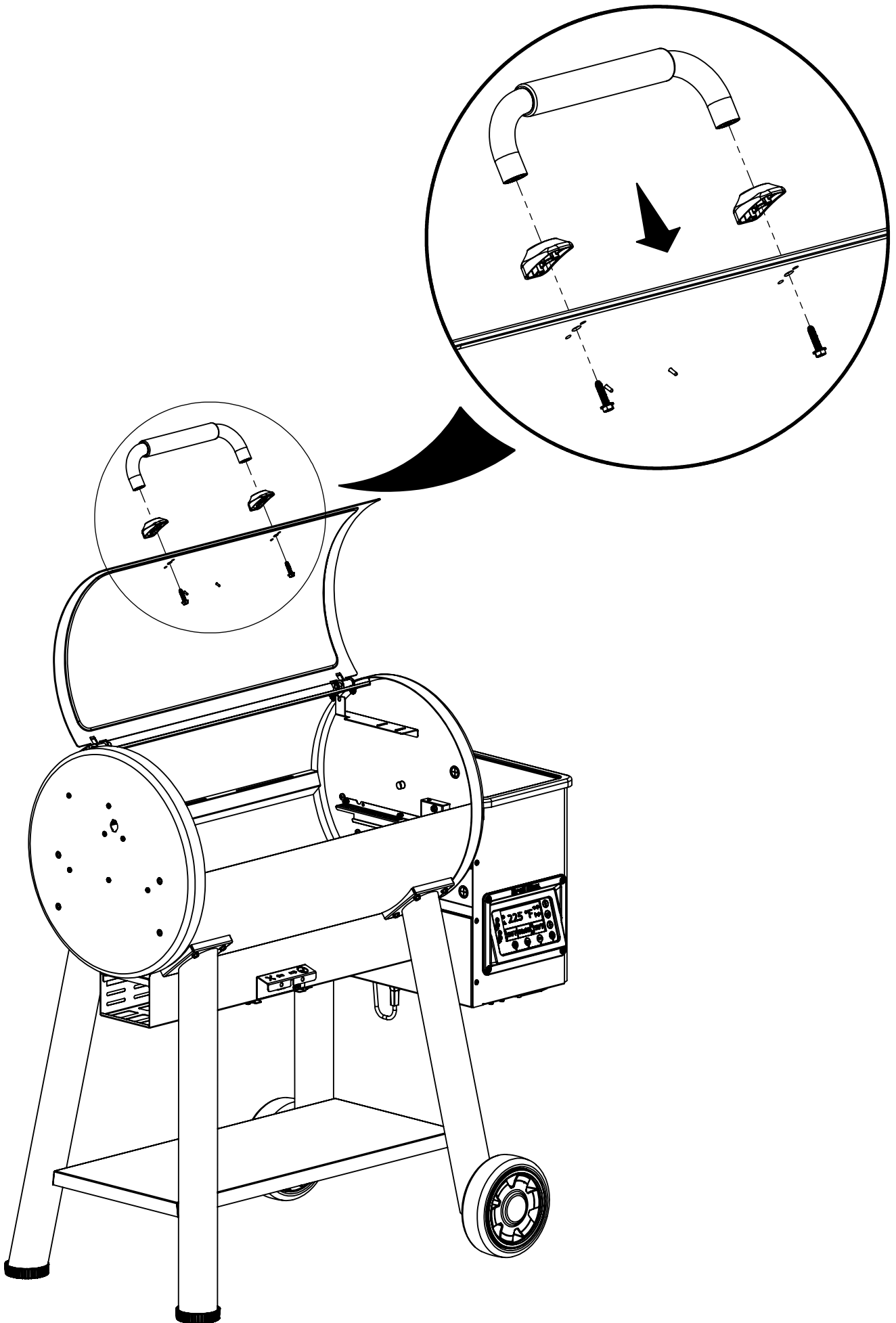
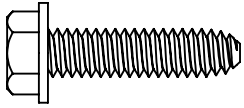






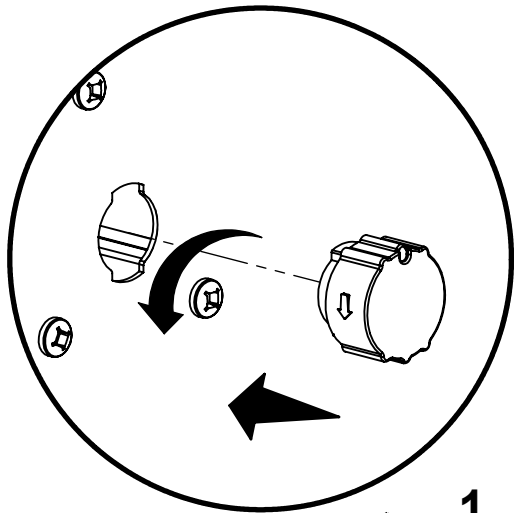
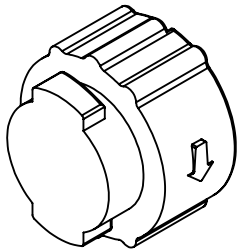
5

(2)

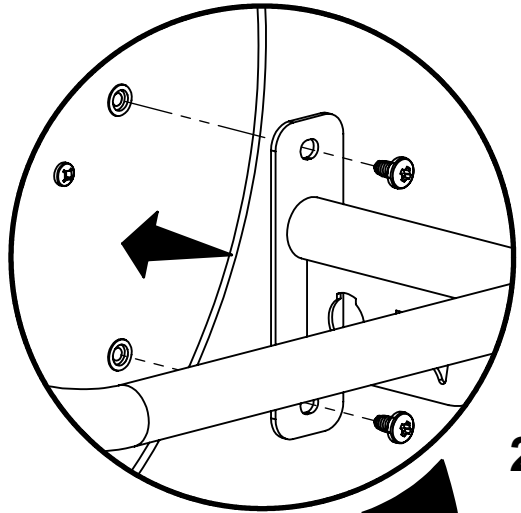


6

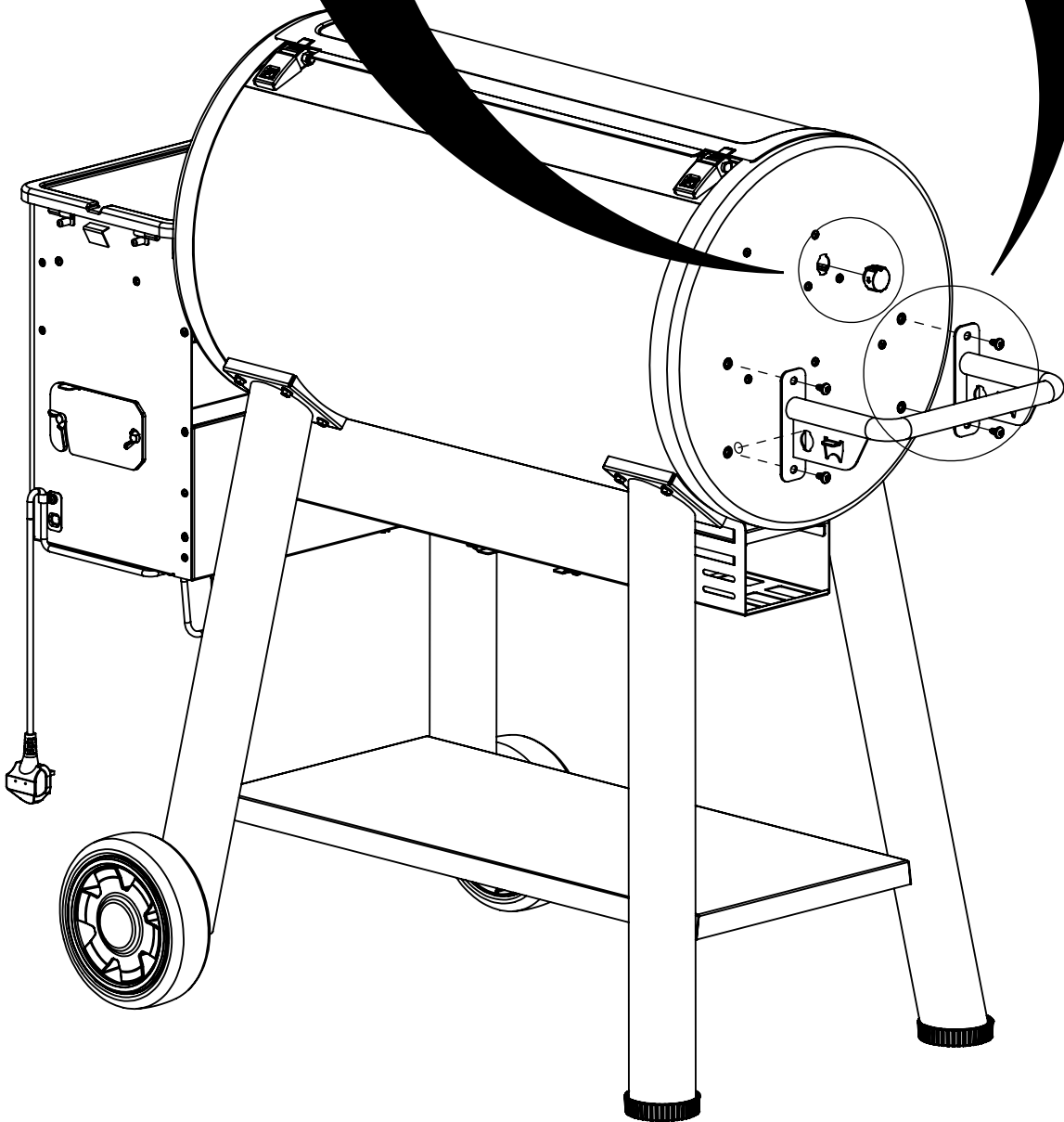
(4) (1)



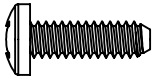
1

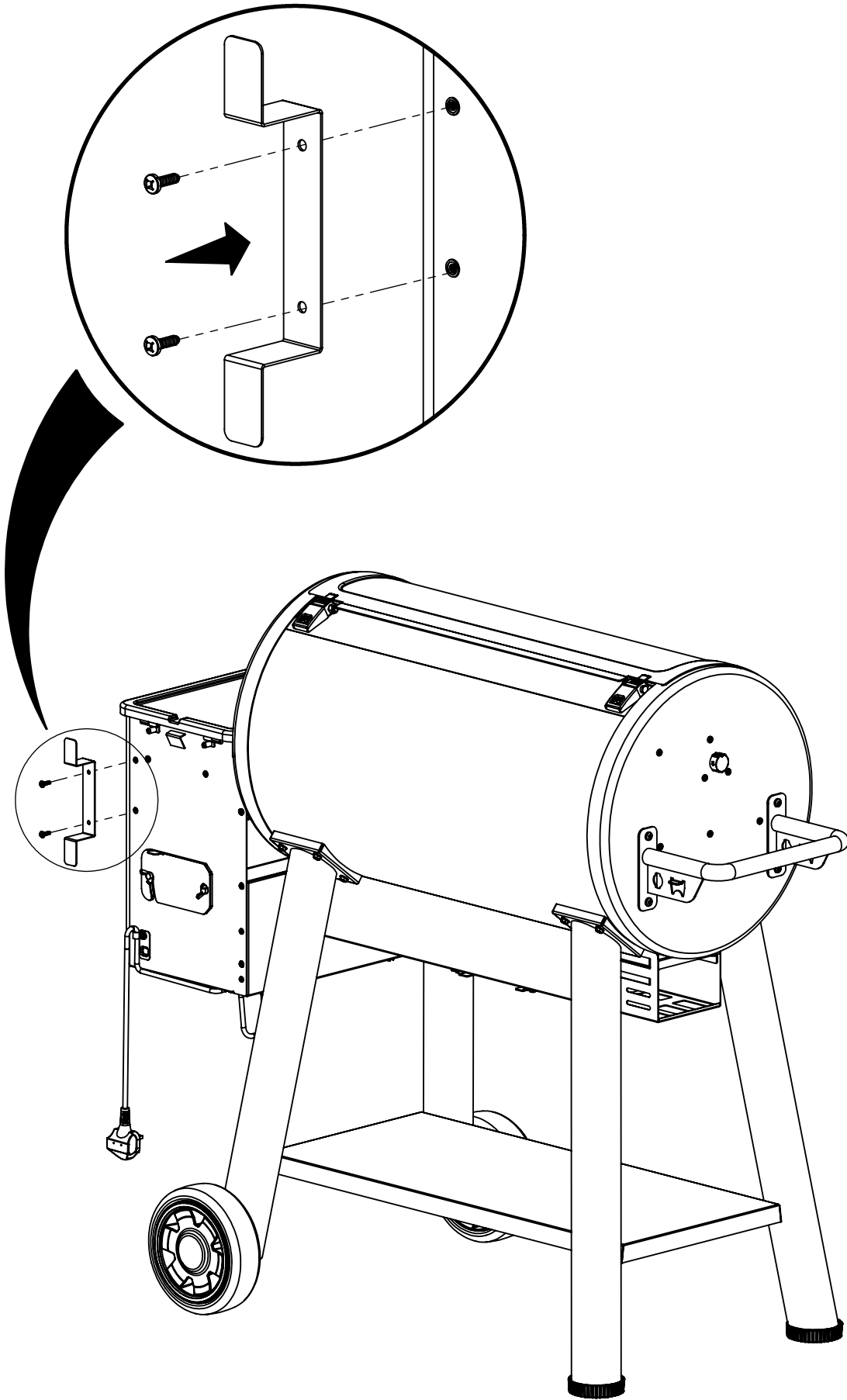


2



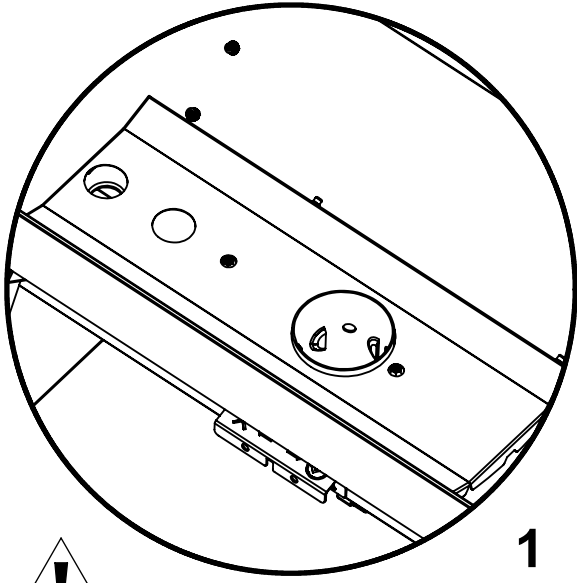
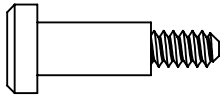
7

(2) 

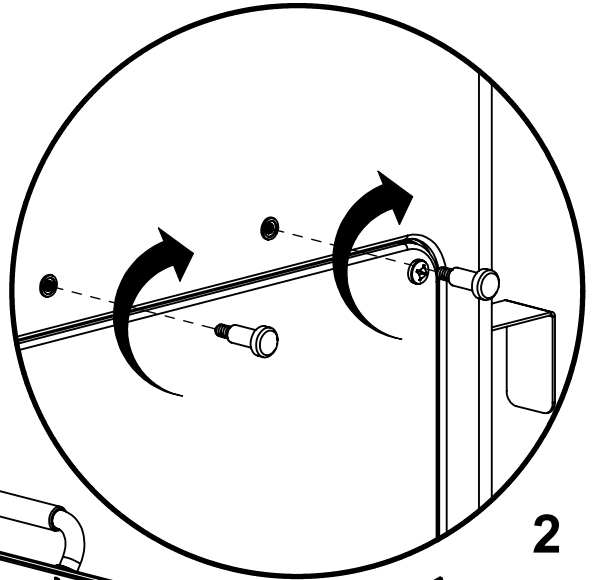


8

(2)

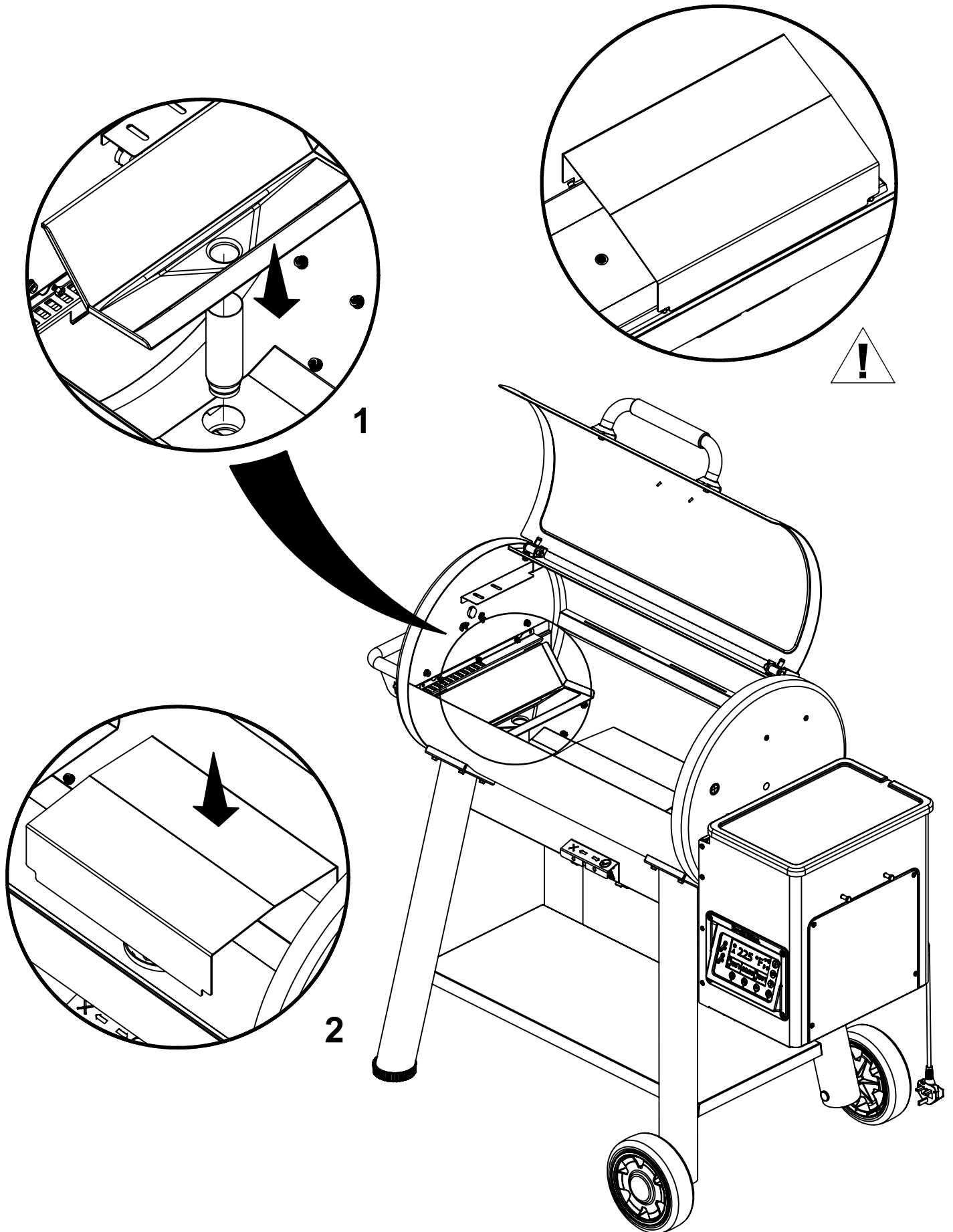


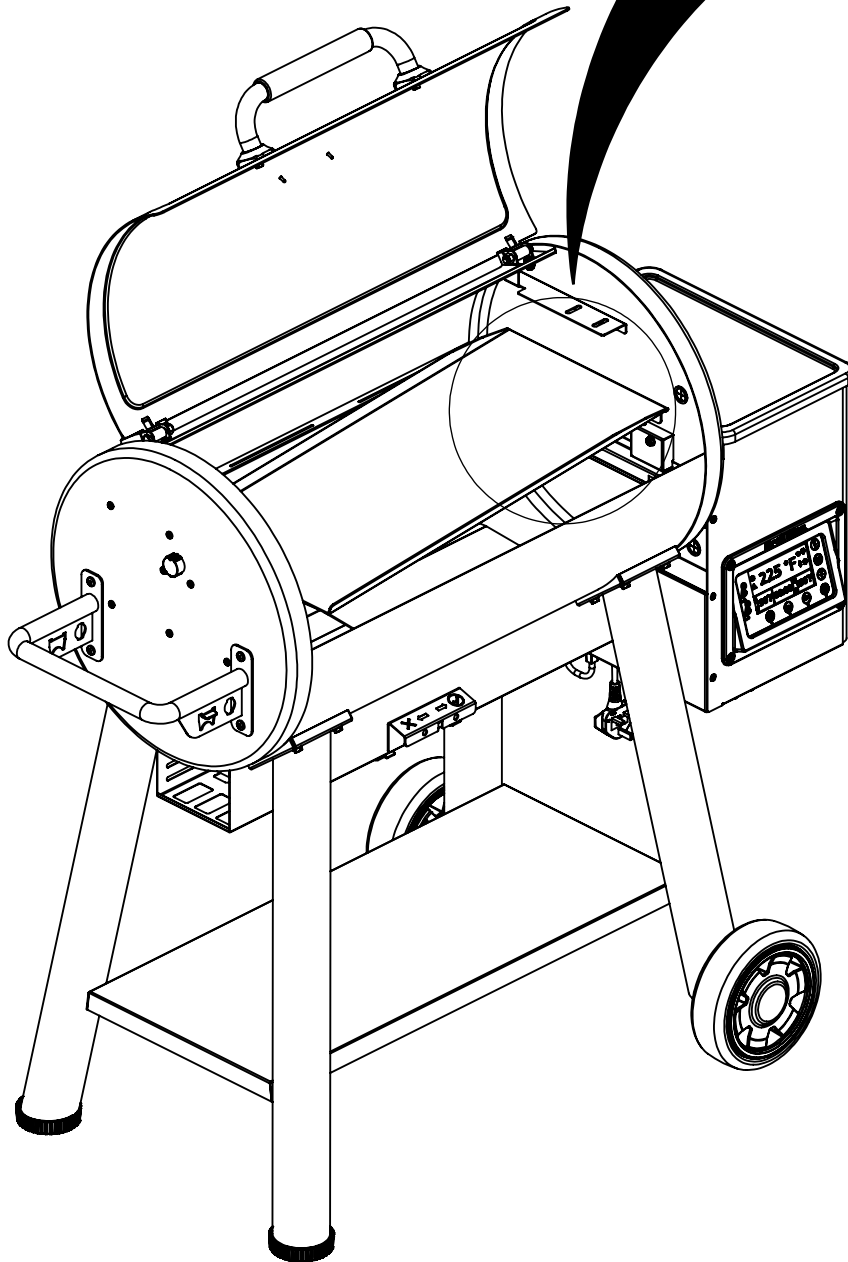
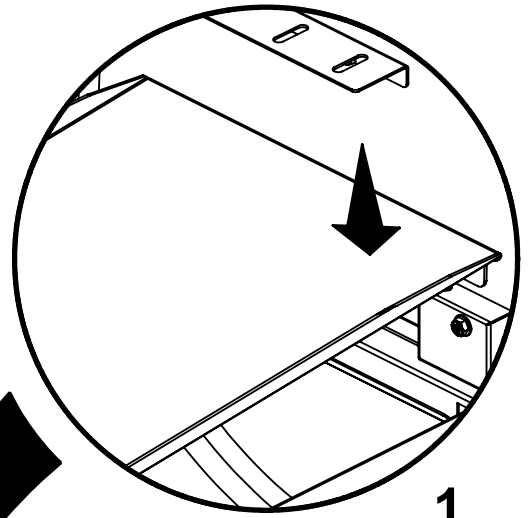
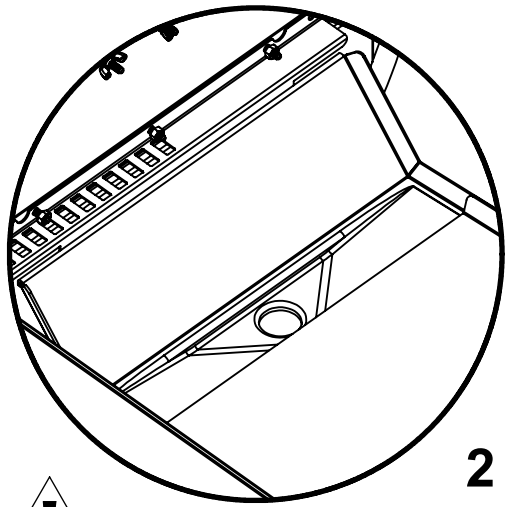
1

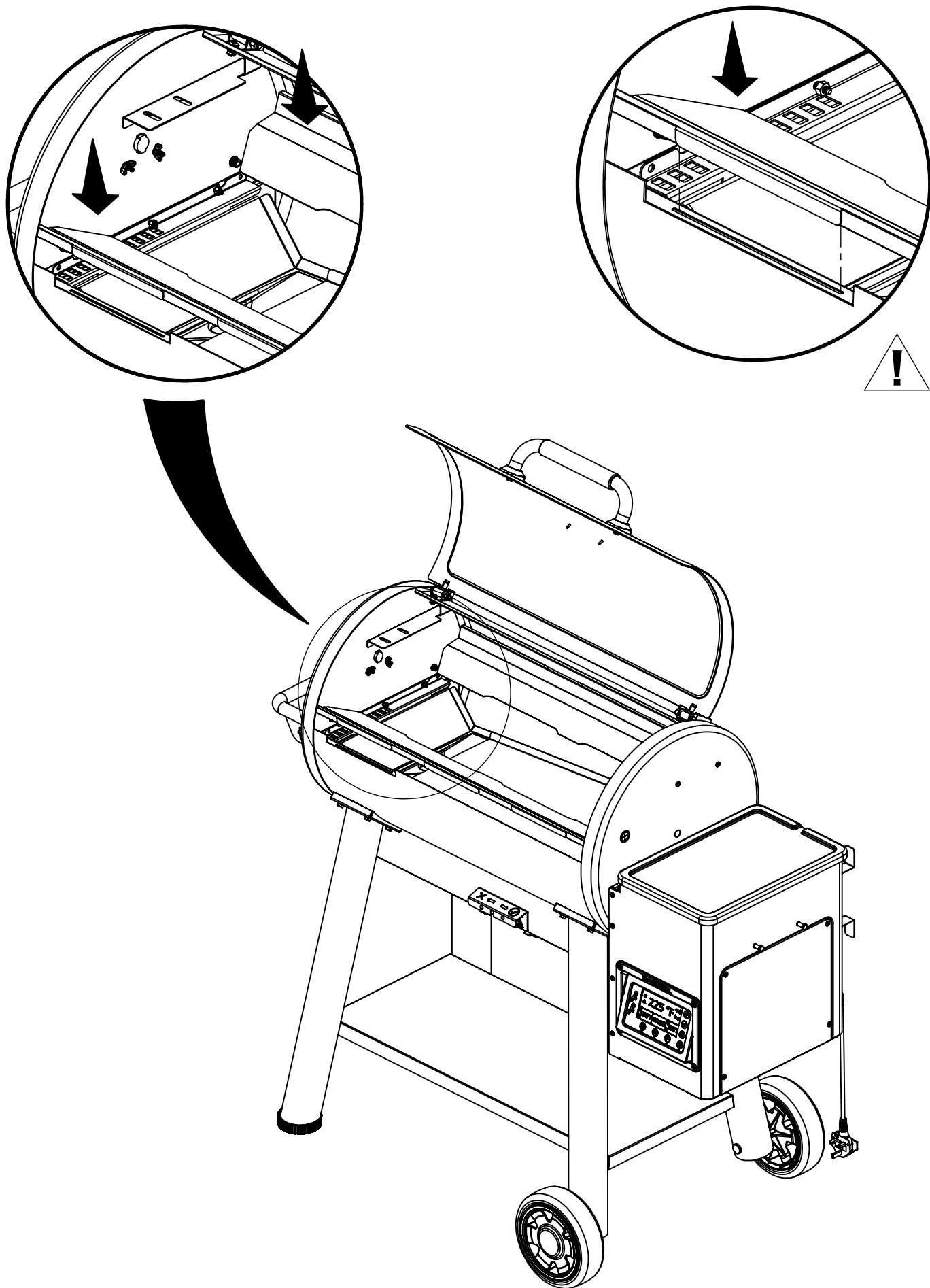


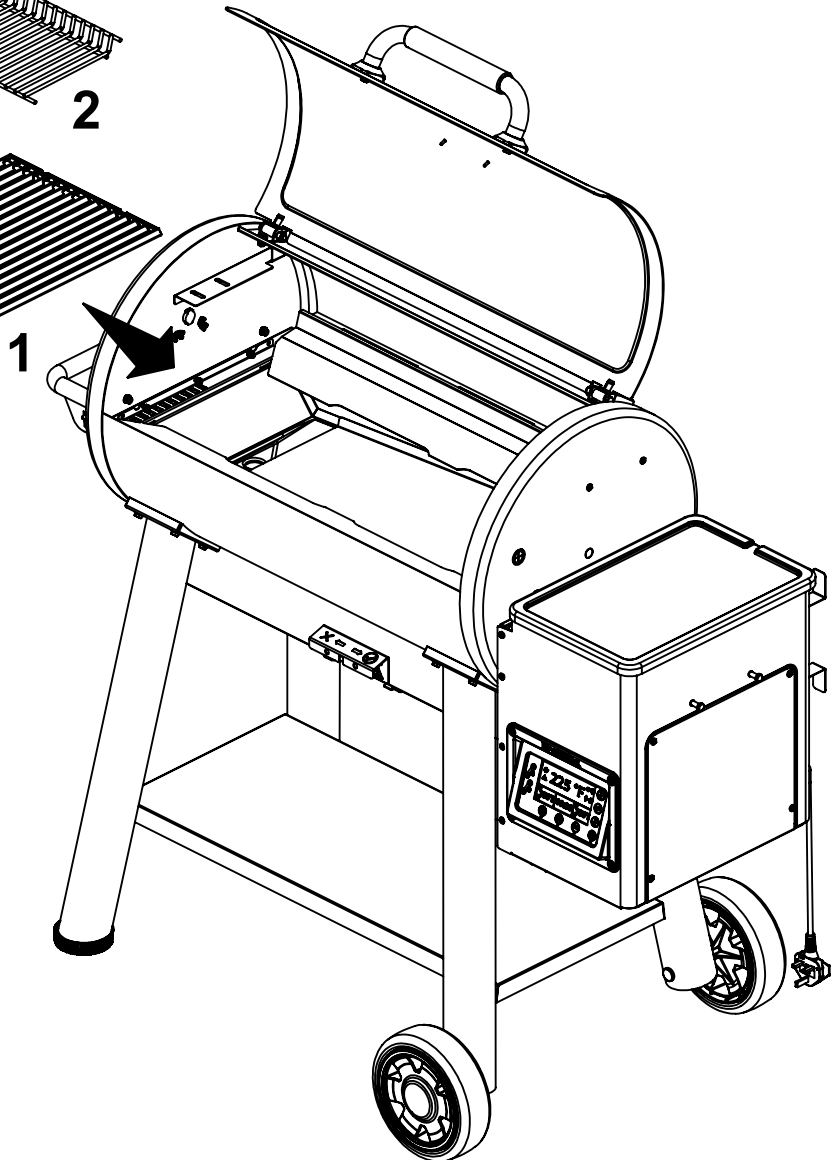
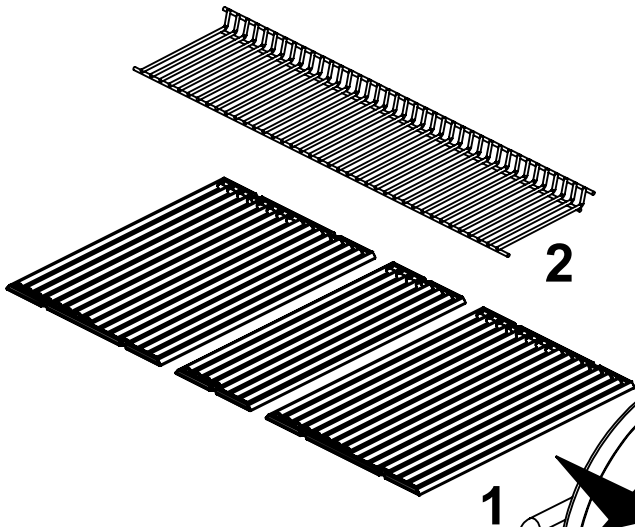
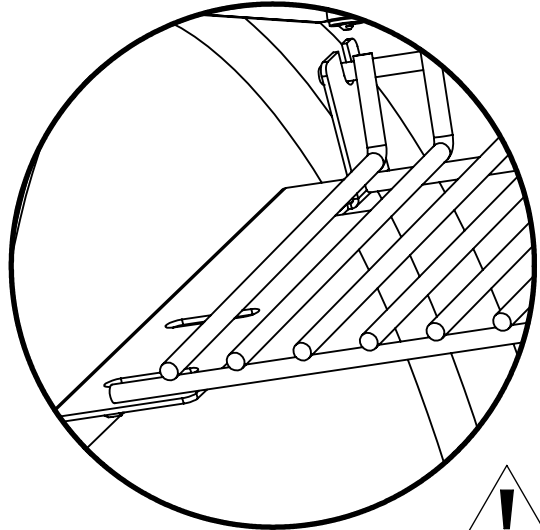
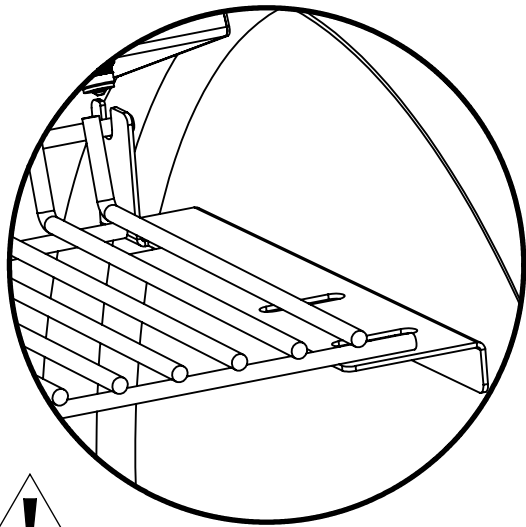
2

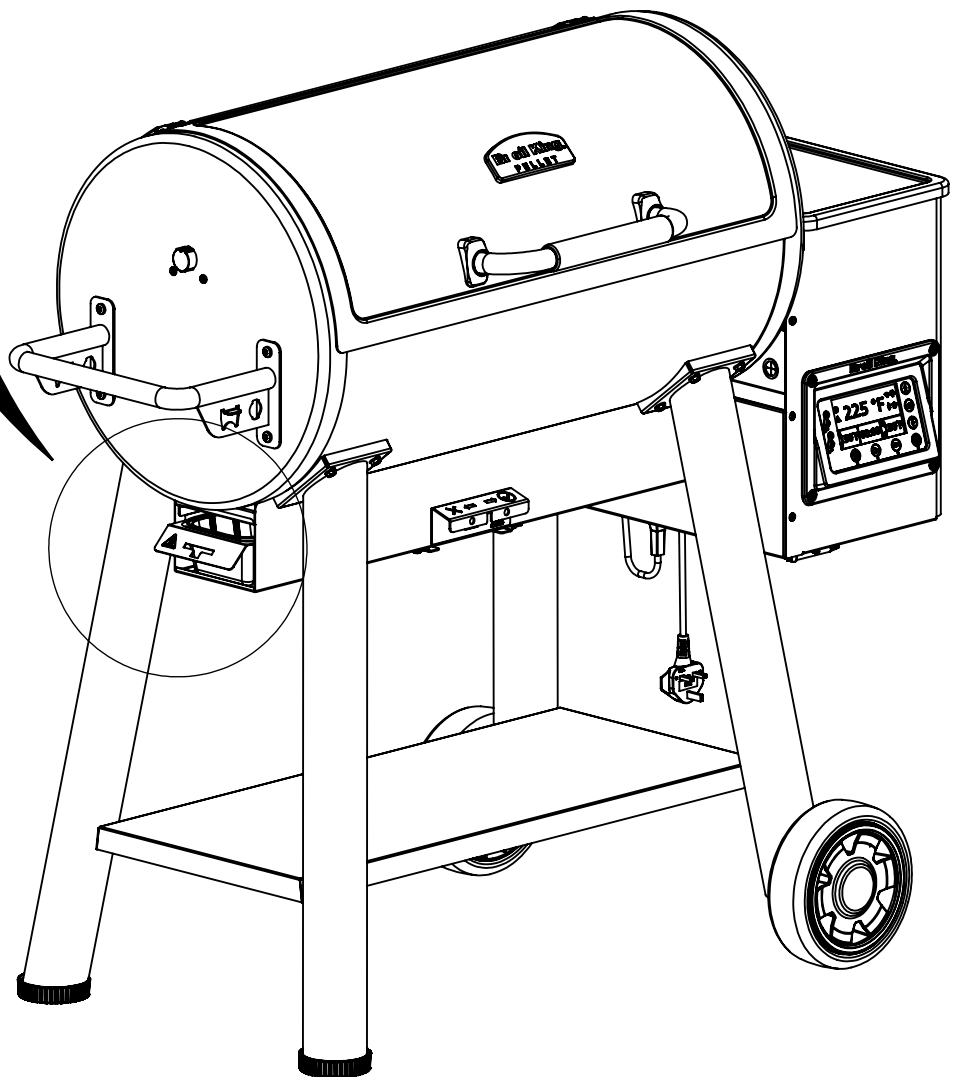
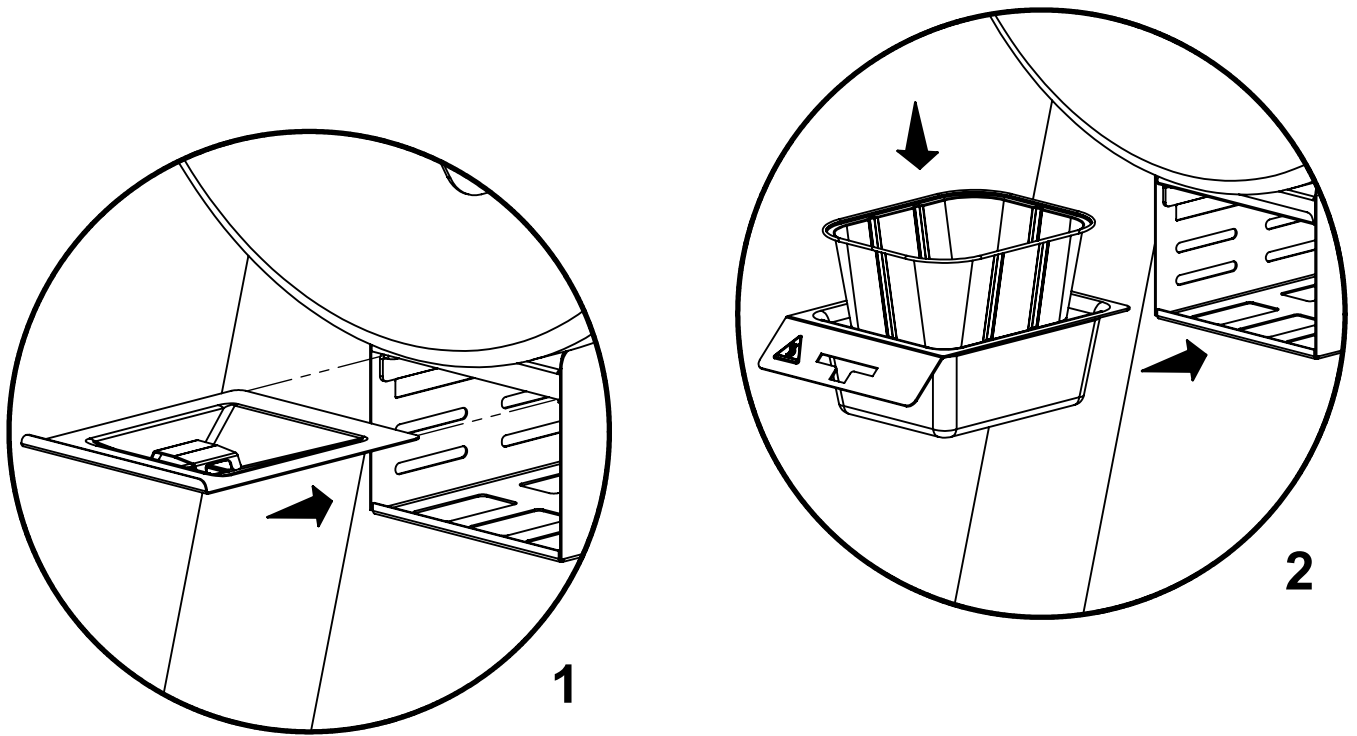


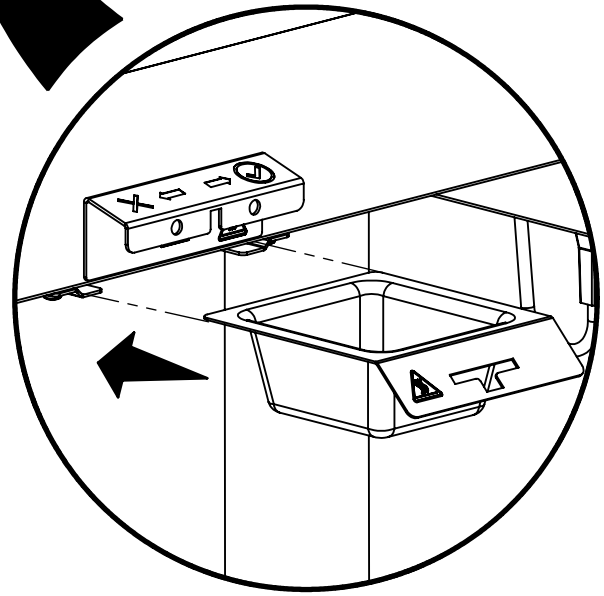
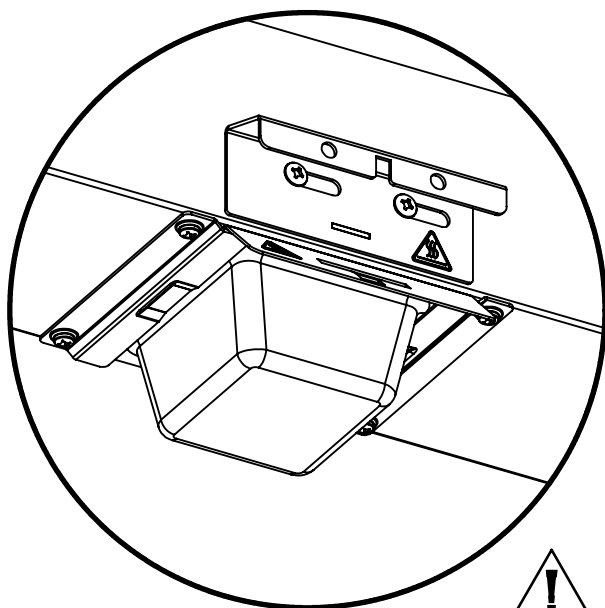
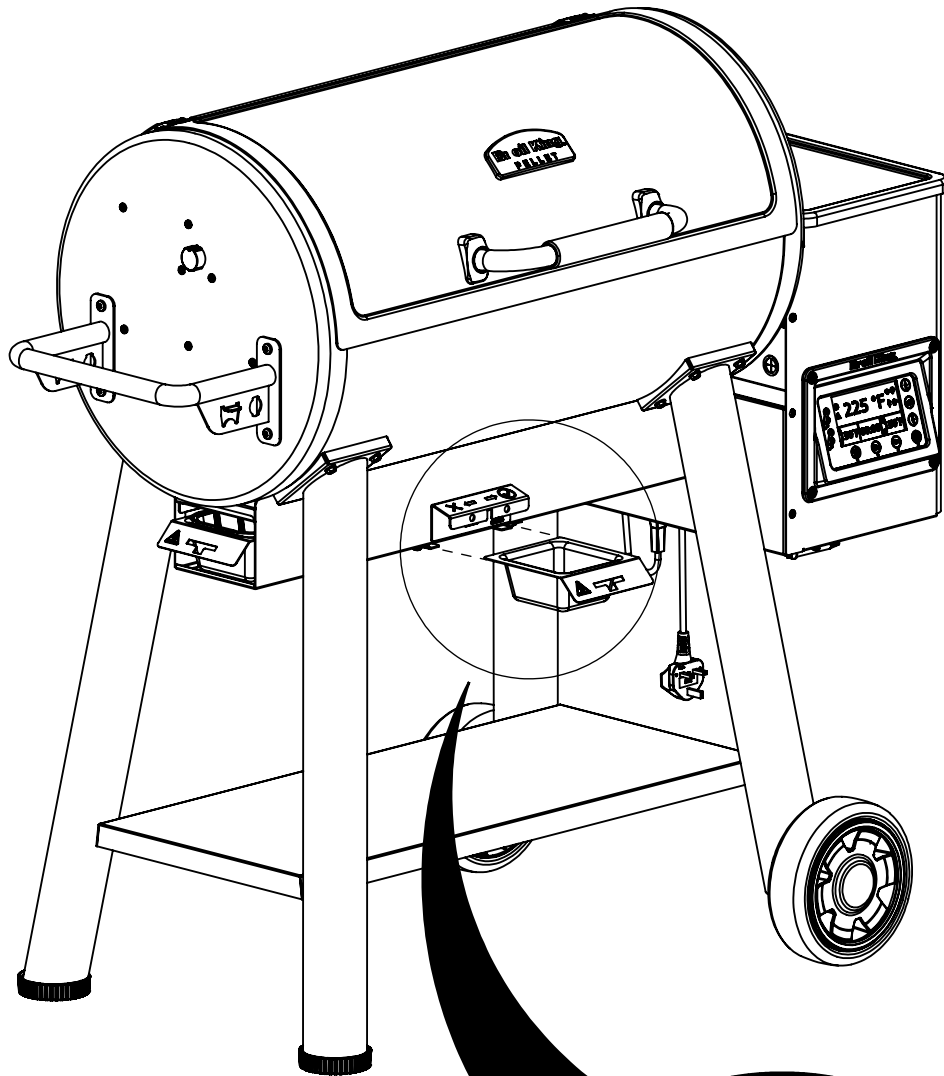


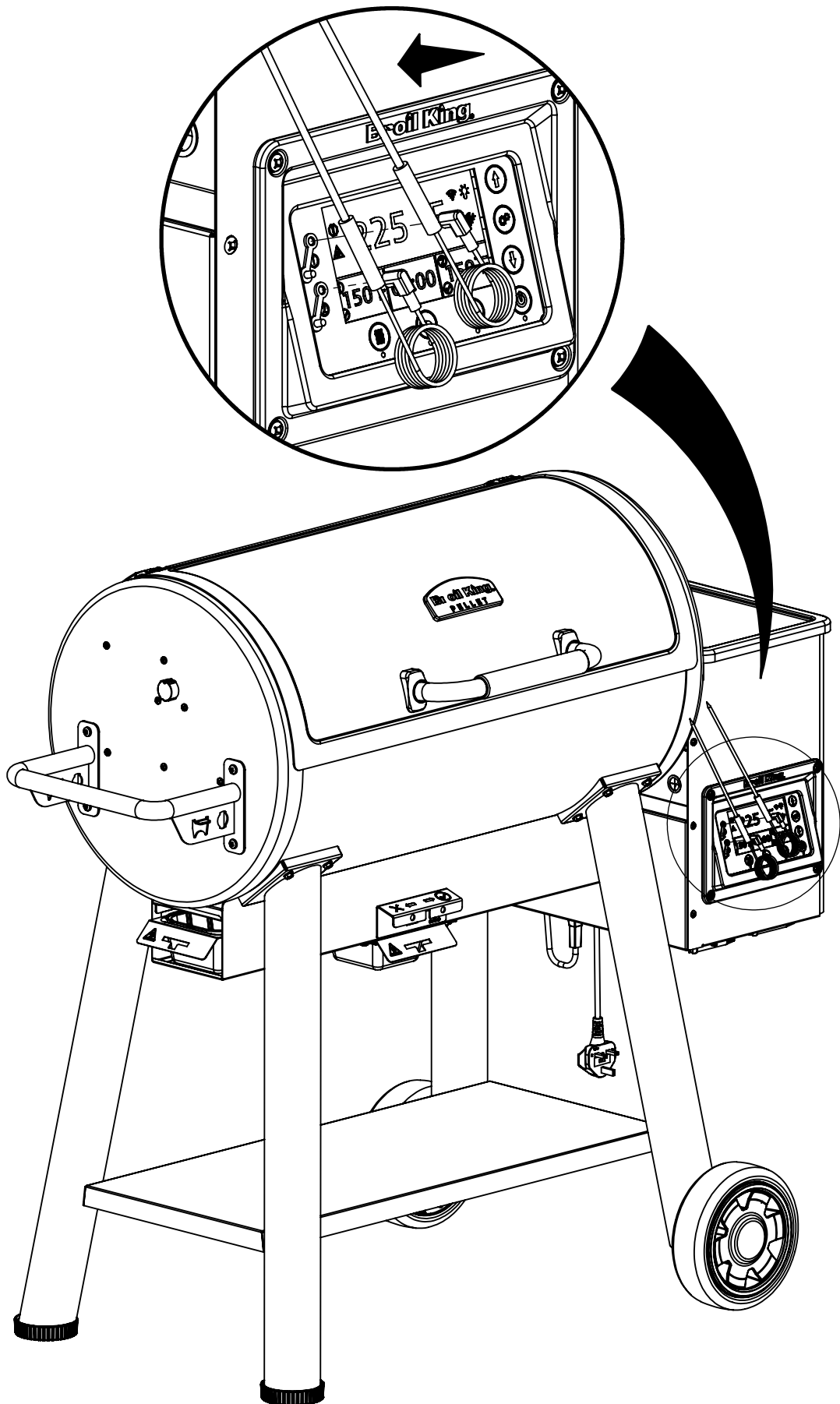












KEY#	ITEM#	DESCRIPTION (ENGLISH)	493055 493055EU	494055 494055EU	493055CH	494055CH	493055UK 493055GBC	494055UK 494055GBC
1	46550-01	LID-WELDED ASSEMBLY-PELLET 550	-	1	-	1	-	1
	46440-01	LID-WELDED ASSEMBLY-PELLET 440	1	-	1	-	1	-
2	44599-30BK	NAMEPLATE - PELLET	1	1	1	1	1	1
3	31106-13A	HANDLE-LID ASSEMBLY	1	1	1	1	1	1
4	44009-94	HANDLE SEAT	2	2	2	2	2	2
5	49005-99	GRID-WARMING RACK-PELLET 550	-	1	-	1	-	1
	49004-99	GRID-WARMING RACK-PELLET 440	1	-	1	-	1	-
6	52002-981	CAST COOKING GRID	2	2	2	2	2	2
7	52001-981	CAST COOKING GRID	-	1	-	1	-	1
8	45305-25	GUIDE PLATE-PELLET 625	-	2	-	2	-	2
	45304-25	GUIDE PLATE-PELLET 500	2	-	2	-	2	-
9	45304-23	SHIELD-RADIATION-PELLET	1	1	1	1	1	1
10	45305-85A	HEAT SHIELD-PELLET 625	1	1	1	1	1	1
11	45305-78A	GREASE TRAY-WELDED ASSEMBLY	1	1	1	1	1	1
12	45305-79	GREASE TUBE	1	1	1	1	1	1
13	45305-77	GREASE TRAY-PELLET 625	-	1	-	1	-	1
	45304-77	GREASE TRAY-PELLET 500	1	-	1	-	1	-
14	45304-11	SUPPORT-BURNPOT	1	1	1	1	1	1
15	46303-67A	DAMPER-BURNPOT	1	1	1	1	1	1
16	45303-10A	BURNPOT-WELDED ASSEMBLY	1	1	1	1	1	1
17	66440-99	HOT ROD-PELLET(CE)	1	1	1	1	1	1
18	49303-14	PROBE BOX-PELLET 500	1	1	1	1	1	1
19	65303-12	PROBE-PELLET	1	1	1	1	1	1
20	49550-11A	FIREBOX-WELDED ASSEMBLY-PELLET 550	-	1	-	1	-	1
	49440-11A	FIREBOX-WELDED ASSEMBLY-PELLET 440	1	-	1	-	1	-
21	45303-34	BRACKET-PROBE INNER	1	1	1	1	1	1
22	46440-80A	HANDLE-WELDED ASSEMBLY-PELLET	1	1	1	1	1	1
23	64302-33	CAP-LID BRACKET	2	2	2	2	2	2
24	64302-24	BRACKET-BUFFER-LID	2	2	2	2	2	2
25	64302-23	BRACKET-LID HINGE	2	2	2	2	2	2
26	49302-26	CAP-ROTISSERIE	1	1	1	1	1	1
27	49303-16	BRACKET-WARMING RACK LH	1	1	1	1	1	1
28	49303-17	BRACKET-WARMING RACK RH	1	1	1	1	1	1
29	45305-74	BRACKET-GREASE TRAY RH 500	2	2	2	2	2	2
30	45303-04A	AUGER ENCLOSURE-WELDED ASSEMBLY-PELLET 625	-	1	-	1	-	1
	45306-04A	AUGER ENCLOSURE-WELDED ASSEMBLY-PELLET 500	1	-	1	-	1	-
31	46440-42	BRACKET-AUGER MOTOR	1	1	1	1	1	1
32	46550-46	AUGER-PELLET 550	-	1	-	1	-	1
	46440-46	AUGER-PELLET 440	1	-	1	-	1	-
33	45304-90	COLLAR-AUGER-PELLET	1	1	1	1	1	1
34	66440-95	AUGER MOTOR-PELLET(CE)	1	1	1	1	1	1
35	45304-63A	COVER-GREASE TRAY-PELLET	1	1	1	1	1	1
36	50417	GREASE PAN-PELLET	3	3	3	3	3	3
37	49440-17	GREASE TRAY	1	1	1	1	1	1
38	49303-53	BRACKET-ASH TRAY	2	2	2	2	2	2
39	45304-88	BASE-AGITATOR	1	1	1	1	1	1
40	45303-51A	AGITATOR-WELDED ASSEMBLY	1	1	1	1	1	1
41	49304-61	ASH TRAY	1	1	1	1	1	1
42	49303-81A	SUPPOT-HOPPER-ASSEMBLY	1	1	1	1	1	1
43	66440-96	FAN-PELLET(CE)	1	1	1	1	1	1
44	42302-30	LEG/WHEEL-WELDED ASSEMBLY	1	1	1	1	1	1
45	42302-40	LEG-WELDED ASSEMBLY	1	1	1	1	1	1
46	42302-20	LEG-WELDED ASSEMBLY	1	1	1	1	1	1
47	42302-10	LEG/WHEEL-WELDED ASSEMBLY	1	1	1	1	1	1
48	46550-41	BASE-PELLET 550	-	1	-	1	-	1
	46440-41	BASE-PELLET 440	1	-	1	-	1	-
49	41302-33	LEVELER-LEG	2	2	2	2	2	2
50	G01A0009	WHEEL	2	2	2	2	2	2
51	G01CP009	CAP-WHEEL	2	2	2	2	2	2
52	45303-45A	SINGAL RECEIVER	1	1	1	1	1	1
53	46440-68A	PCB CONTROLLER ASSEMBLY-PELLET 440	1	-	1	-	1	-
	46550-68A	PCB CONTROLLER ASSEMBLY-PELLET 550	-	1	-	1	-	1
54	49440-93A	HOPPER-WELDED ASSEMBLY	1	1	1	1	1	1
55	49440-86	BASE-HOPPER-PELLET	1	1	1	1	1	1
56	46440-26A	HOPPER-MESH LID ASSEMBLY-PELLET	1	1	1	1	1	1
57	46440-31A	LID-ASSEMBLY-HOPPER-PELLET	1	1	1	1	1	1
58	46550-92A	PANEL-HOPPER	1	1	1	1	1	1
59	66440-97	WIRE-POWER CORD(CE-UK)	-	-	-	-	-	-
	66441-97	WIRE-POWER CORD(CE-CH)	-	-	1	1	-	-
	66442-97	WIRE-POWER CORD(CE-EU)	1	1	-	-	-	-
60	66303-91	BLOCK-POWER CORD(CE)	1	1	1	1	1	1
61	49304-56A	FUEL DOOR-ASSEMBLY-PELLET	1	1	1	1	1	1
62	45304-28	BRACKET-WIRE-PELLET	1	1	1	1	1	1
63	49440-61	SUPPORT-HOPPER LID	2	2	2	2	2	2
64	45306-02-2	HINGE-HOPPER	4	4	4	4	4	4
65	66303-93	BLOCK-MEAT PROBE	2	2	2	2	2	2
66	49301-6B	PROBE-TEMPERATURE B (PT1000)	1	1	1	1	1	1
67	45303-64	PROBE-TEMPERATURE (PT1000)	1	1	1	1	1	1
68	60745	STEEL GRID LIFTER	1	1	1	1	1	1
69	46440-66	BUSING-PROBE	2	2	2	2	2	2
70	Y-12859S	SCREW 1/4-20X1"	8	8	8	8	8	8
71	Y-11560S	SCREW 1/4-20X1.5"	3	3	3	3	3	3
72	Y-12865S	SCREW 1/4-20X0.5"	17	17	17	17	17	17
73	60240-13	HINGE-LID	2	2	2	2	2	2
74	Y-15008S	NUT-LOCKING M8x1.25	2	2	2	2	2	2
75	Y-29304S	SCREW #10-24X0.625"	12	12	12	12	12	12
76	Y-11805	NUT-HEX #10-24	10	10	10	10	10	10
77	S21061	WING NUT #10-24	2	2	2	2	2	2
78	C01004	SCREW M4X6	3	3	3	3	3	3
79	C00420	BOLT M4X20	1	1	1	1	1	1
80	C22004	NUT-LOCKING,M4	1	1	1	1	1	1
81	C05010	SCREW M5X10	2	2	2	2	2	2
82	Y-29304S	SCREW #10-24X0.625"	30	30	30	30	30	30
83	63599-78	SCREW-SHOULDER #10-24	2	2	2	2	2	2
84	Y-29304S	SCREW #10-24X0.625"	4	4	4	4	4	4
85	Y-12859S	SCREW 1/4-20X1"	12	12	12	12	12	12
86	G01CH038	NUT-LOCKING M8x1.25	2	2	2	2	2	2
87	Y-11698S	SCREW-BUTTERFLY 1/4"-20X0.625"	2	2	2	2	2	2
88	C01015	SCREW-GROUND M5X16	1	1	1	1	1	1
89	C11050	THRUST WASHER φ5	1	1	1	1	1	1
90	C20005	NUT-HEX M5	1	1	1	1	1	1
91	C01024	SCREW-TAPING ST4.2X9.5	2	2	2	2	2	2
92	63599-73C	SCREW-SHOULDER #10-24	2	2	2	2	2	2
93	66303-38A	GROUND PLATE-ASSEMBLY(CE)	1	1	1	1	1	1
94	66303-87	SOCKET-POWER CORD(CE)	1	1	1	1	1	1
95	66303-88	CLIP-POWER CORD(CE)	1	1	1	1	1	1
96	66303-92	CLIP-POWER CORD-BIG	1	1	1	1	1	1
97	CS0310	SCREW M3X10	4	4	4	4	4	4
	494051-HP	HARDWARE PACK	1	1	1	1	1	1

